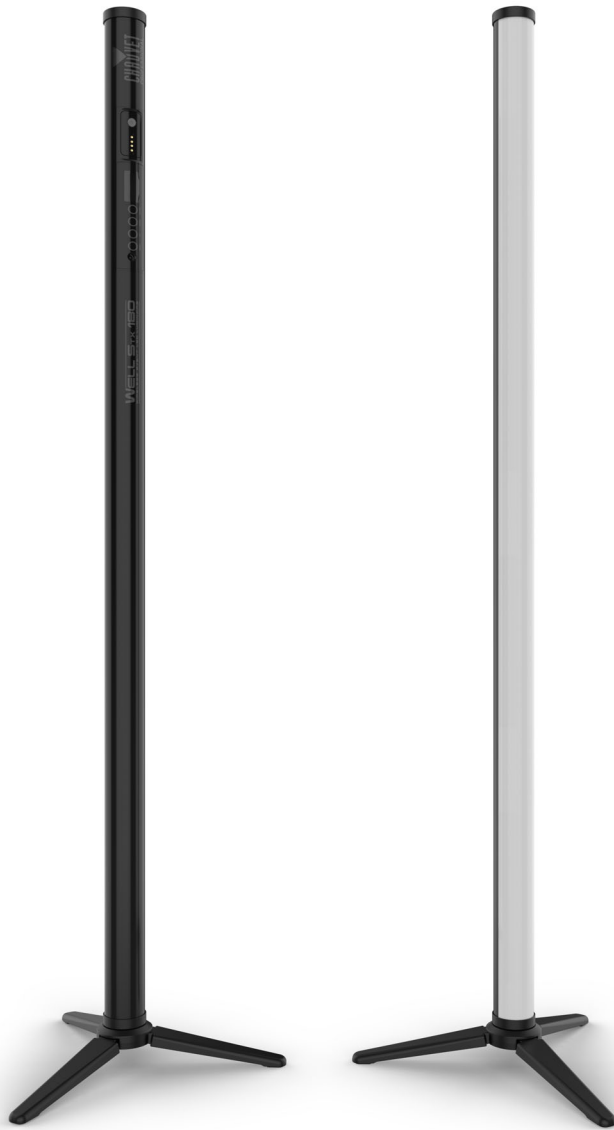


WELL STX 180

WIRELESS EVENT LED LUMINAIRE

User Manual



Model ID: WELLSTX180

Edition Notes

The WELL STX 180 User Manual includes a description, safety precautions, installation, programming, operation, and maintenance instructions for the WELL STX 180 as of the release date of this edition.

Trademarks

Chauvet, Chauvet Professional, the Chauvet logo, and WELL are registered trademarks or trademarks of Chauvet & Sons, LLC (d/b/a Chauvet and Chauvet Lighting) in the United States and other countries. Other company and product names and logos referred to herein may be trademarks of their respective companies.

Copyright Notice

The works of authorship contained in this manual, including, but not limited to, all designs, text, and images are owned by Chauvet.

© Copyright 2023 Chauvet & Sons, LLC. All rights reserved.

Electronically published by Chauvet in the United States of America.

Manual Use

Chauvet authorizes its customers to download and print this manual for professional information purposes only. Chauvet expressly prohibits the usage, copy, storage, distribution, modification, or printing of this manual or its content for any other purpose without written consent from Chauvet.

Document Printing

For best results, print this document in color, on letter size paper (8.5 x 11 in), double-sided. If using A4 paper (210 x 297 mm), configure the printer to scale the content accordingly.

Intended Audience

Any person installing, operating, and/or maintaining this product should completely read through the guide that shipped with the product, as well as this manual, before installing, operating, or maintaining this product.

Disclaimer

Chauvet believes that the information contained in this manual is accurate in all respects. However, Chauvet assumes no responsibility and specifically disclaims any and all liability to any party for any loss, damage, or disruption caused by any errors or omissions in this document, whether such errors or omissions result from negligence, accident, or any other cause. Chauvet reserves the right to revise the content of this document without any obligation to notify any person or company of such revision, however, Chauvet has no obligation to make, and does not commit to make, any such revisions. Download the latest version from www.chauvetprofessional.com.

Document Revision

Go to www.chauvetprofessional.com for the latest version.

Revision	Date	Description
4	10/2023	Updated menu map; added Record of Revision

TABLE OF CONTENTS

1. Before You Begin	1
What Is Included	1
Claims	1
Manual Conventions	1
Symbols	1
Safety Notes.....	2
Battery Charge Notes.....	3
Storage Notes	3
FCC Statement of Compliance	4
RF Exposure Warning for North America and Australia.....	4
Expected LED Lifespan.....	4
2. Introduction	5
Description	5
Features	5
Product Overview.....	6
Product Dimensions	7
3. Setup	8
AC Power	8
AC Plug.....	8
Power Linking.....	8
USB Software Update	8
DMX Linking.....	8
DMX Personalities.....	8
Wireless Operation.....	9
Master/Slave Connectivity.....	9
Mounting	10
Orientation.....	10
Rigging.....	10
Stealth Filter	10
4. Operation	11
Control Panel Operation.....	11
Programming.....	11
Control Panel Lock.....	11
DMX Configuration	11
DMX Personalities.....	11
Starting Address.....	11
Menu Map	12
DMX Values	15
73Ch / 67Ch / 64Ch	15
15Ch / 4Ch.....	18
Color Temperature Chart	20
Standalone Configuration.....	21
Static Mode	21
Auto Programs	21
Auto Program Speed.....	21
White Balance	21

Run Time.....	21
Back Light	21
Dimmer Profiles.....	22
System Information	22
Factory Reset.....	22
Master/Slave Mode	22
Infrared Remote Control.....	23
IR Remote Operation	23
5. Technical Information	24
Product Maintenance	24
6. Technical Specifications	25
Contact Us	26
Warranty & Returns.....	26

Before You Begin

1. Before You Begin

What Is Included

- (6) WELL STX 180
- TRUE1-style power cord with Edison plug (EU bare end)
- Charging flight case
- (6) stands
- (12) magnetic clamps
- (6) hanging eye bolts
- (6) stealth black filters
- (1) IR remote
- Quick Reference Guide

Claims

Carefully unpack the product immediately and check the container to make sure all the parts are in the package and are in good condition.




If the box or the contents (the product and included accessories) appear damaged from shipping, or show signs of mishandling, notify the carrier immediately, not Chauvet. Failure to report damage to the carrier immediately may invalidate a claim. In addition, keep the box and contents for inspection.

For other issues, such as missing components or parts, damage not related to shipping, or concealed damage, file a claim with Chauvet within 7 days of delivery.

Manual Conventions

Convention	Meaning
1–512	A range of values
50/60	A set of values of which only one can be chosen
<SET>	A button on the product's control panel
Settings	A product function or a menu option

Symbols

Symbol	Meaning
	Critical installation, configuration, or operation information. Not following these instructions may make the product not work, cause damage to the product, or cause harm to the operator.
	Important installation or configuration information. The product may not function correctly if this information is not used.
	Useful information.



The term “DMX” used throughout this manual refers to the USITT DMX512-A digital data transmission protocol.



Any reference to data or power connections in this manual assumes the use of Seetronic IP-rated cables.

Safety Notes

Read all the following safety notes before working with this product. These notes contain important information about the installation, usage, and maintenance of this product.



This product contains no user-serviceable parts. Any reference to servicing in this User Manual will only apply to properly trained, certified technicians. Do not open the housing or attempt any repairs.



All applicable local codes and regulations apply to proper installation of this product.

- The luminaire is intended for professional use only.
- If the external flexible cable or cord of this luminaire is damaged, it shall be replaced by a special cord or cord exclusively available from the manufacturer or its service agent.
- The light source contained in this luminaire shall only be replaced by the manufacturer or its service agent or a similar qualified person.
- **CAUTION:**
 - This product's housing may be hot when operating. Mount this product in a location with adequate ventilation, at least 20 in (50 cm) from adjacent surfaces.
 - When transferring the product from extreme temperature environments, (e.g., cold truck to warm humid ballroom) condensation may form on the internal electronics of the product. To avoid causing a failure, allow the product to fully acclimate to the surrounding environment before connecting it to power.
 - Flashing light is known to trigger epileptic seizures. User must comply with local laws regarding notification of strobe use.
- **ALWAYS:**
 - Disconnect from power before cleaning the product or replacing the fuse.
 - Replace the fuse with the same type and rating.
 - Use a safety cable when mounting this product overhead.
 - Connect this product to a grounded and protected circuit.
- **DO NOT:**
 - Open this product. It contains no user-serviceable parts.
 - Look at the light source when the product is on.
 - Leave any flammable material within 50 cm of this product while operating or connected to power.
 - Connect this product to a dimmer or rheostat.
 - Operate this product if the housing, lenses, or cables appear damaged.
 - Submerge this product (IP65). Regular outdoor operation is fine.
 - Permanently install outdoors in locations with extreme environmental conditions. This includes, but is not limited to:
 - Exposure to a marine/saline environment (within 3 miles of a saltwater body of water).
 - Locations where normal temperatures exceed the temperature ranges in this manual.
 - Locations that are prone to flooding or being buried in snow.
 - Other areas where the product will be subject to extreme radiation or caustic substances.
 - Use for space-heating purposes.
- ONLY use the carry handles or hanging/mounting bracket to carry this product.
- The maximum ambient temperature is 113 °F (45 °C). Do not operate this product at higher temperatures.
- The minimum startup temperature is -4°F (-20°C). Do not start the product at lower temperatures.
- To eliminate unnecessary wear and improve its lifespan, during periods of non-use completely disconnect the product from power via breaker or by unplugging it.
- In the event of a serious operating problem, stop using immediately.



If a Chauvet product requires service, contact Chauvet Technical Support.

Before You Begin

Battery Charge Notes

Rechargeable lithium-ion batteries are potentially hazardous and can present a serious FIRE HAZARD, SERIOUS INJURY, and/or PROPERTY DAMAGE if damaged, defective, or improperly used.

- **ALWAYS:**
 - Charge using a manufacturer-provided charger while the product is powered off.
 - Charge the battery in temperatures between 32°–95°F (0°–35°C).
 - Allow a depleted battery to charge for a few minutes before turning on the product. If the battery is completely discharged, the device cannot be turned on immediately when the charger is connected.
 - Keep at least 3 ft (1 m) distance to any heat source and away from flammable materials.
 - Keep the lid of any charging case open while charging.
 - Keep batteries away from children.
 - Store batteries between 40–60% charge.
 - Follow local regulations when disposing of batteries.
 - Replace with an authentic Chauvet battery.
- **DO NOT:**
 - Continue charging if the battery becomes hot, smokes, swells, or gives off an odor during charging.
 - Leave the product unattended while charging.
 - Deplete the battery below 10%.
 - Charge the battery in a closed container.
 - Charge for more than 24 hours.

Storage Notes

Follow the instructions below when storing the WELL STX 180:

- Store charged product(s) in a dry environment, away from direct sunlight.
- Charge or discharge the battery to approximately 50% of capacity before storage.
- Lithium-ion batteries continue to slowly discharge (self-discharge) when not in use or while in storage. Routinely check the battery's charge status.
- Store the battery at temperatures between 41 °F and 68 °F (5 °C and 20 °C).

FCC Statement of Compliance

This device complies with Part 15 Part B of the FCC rules. Operation is subject to the following two conditions:

1. This device may not cause harmful interference, and
2. This device must accept any interference received, including interference that may cause undesired operation.

This equipment has been tested and found to comply with the limits for a Class B digital device, pursuant to Part 15 of the FCC Rules. These limits are designed to provide reasonable protection against harmful interference in a residential installation. This equipment generates uses and can radiate radio frequency energy and, if not installed and used in accordance with the instructions, may cause harmful interference to radio communications. However, there is no guarantee that interference will not occur in a particular installation. If this equipment does cause harmful interference to radio or television reception, which can be determined by turning the equipment off and on, the user is encouraged to try to correct the interference by one or more of the following measures:

- Reorient or relocate the receiving antenna.
- Increase the separation between the equipment and receiver.
- Connect the equipment into an outlet on a circuit different from that to which the receiver is connected.
- Consult the dealer or an experienced radio/TV technician for help.

Any changes or modifications not expressly approved by the party responsible for compliance could void the user's authority to operate the equipment.

RF Exposure Warning for North America and Australia

Warning! This equipment complies with FCC radiation exposure limits set forth for an uncontrolled environment. This equipment should be installed and operated with a minimum distance of 20 cm between the radiator and the user. This transmitter must not be co-located or operating in conjunction with any other antenna or transmitter.

Expected LED Lifespan

Over time, use and heat will gradually reduce LED brightness. Clustered LEDs produce more heat than single LEDs, contributing to shorter lifespans if always used at full intensity. The average LED lifespan is 40,000 to 50,000 hours. To extend LED lifespan, maintain proper ventilation around the product, and limit the overall intensity.

2. Introduction

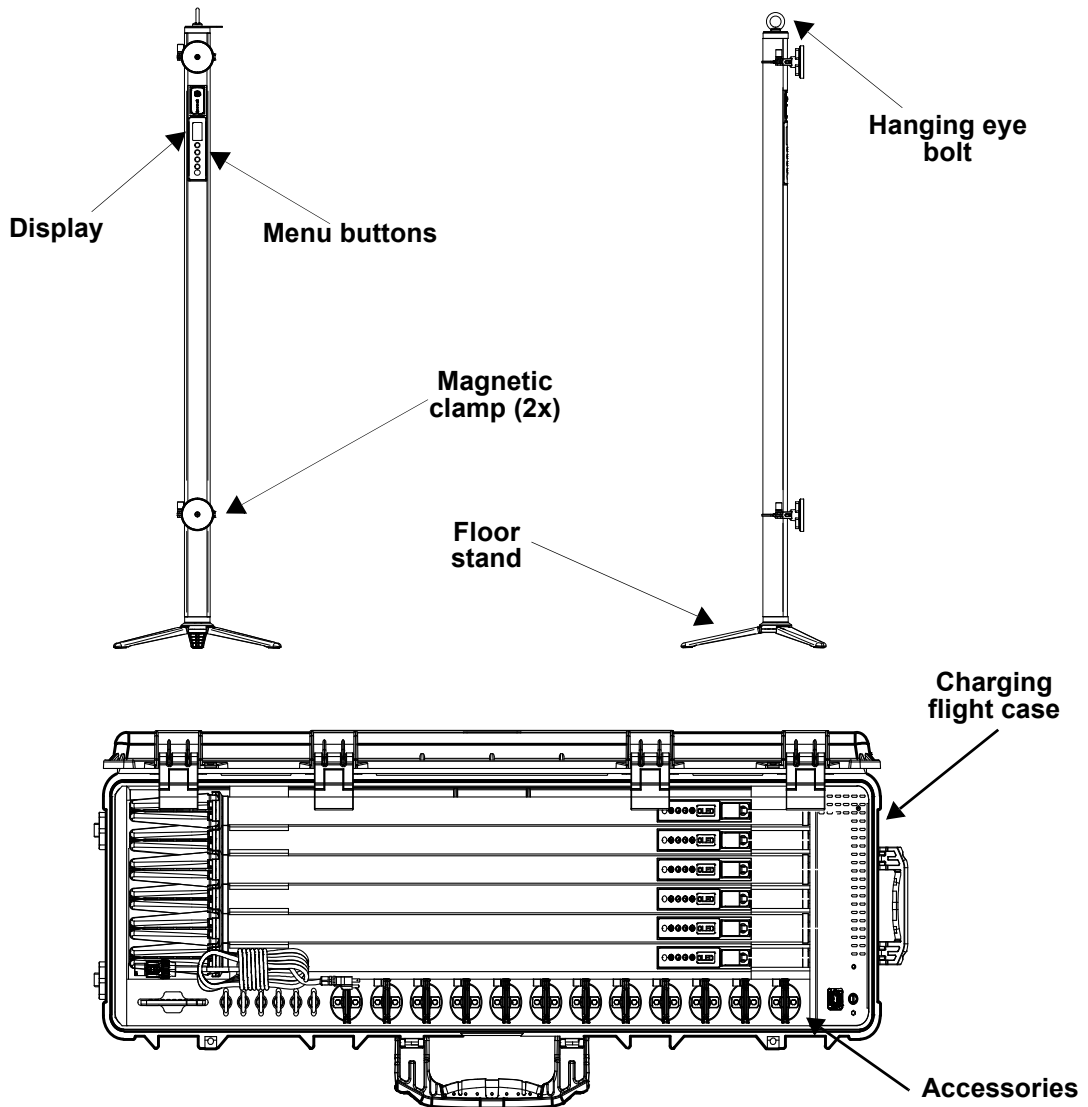
Description

WELL STX 180 is a dynamic freestanding, battery-operated, and outdoor-ready LED tube that emits 180° of ultra-bright, high-quality, pixel-mappable light with an optional stealth filter for a complete disappearing effect when off. Wireless control of 16 zones of the RGBWW LED's produce exceptional eye-candy effects with high CRI—so it will look as great on camera as it does in person. In addition to being IP65 rated, WELL STX 180 can also be oriented in any position so to fully utilize the wireless freedom this fixture is capable of. The unit is packaged as part of a complete kit that includes: 6 WELL STX 180, 12 magnetic brackets for attaching to steel surfaces, 6 eyebolts for suspended hanging options, 6 folding floor stands, 6 stealth black diffusers, 1 IR Remote, and 1 ABS plastic charging flight case.

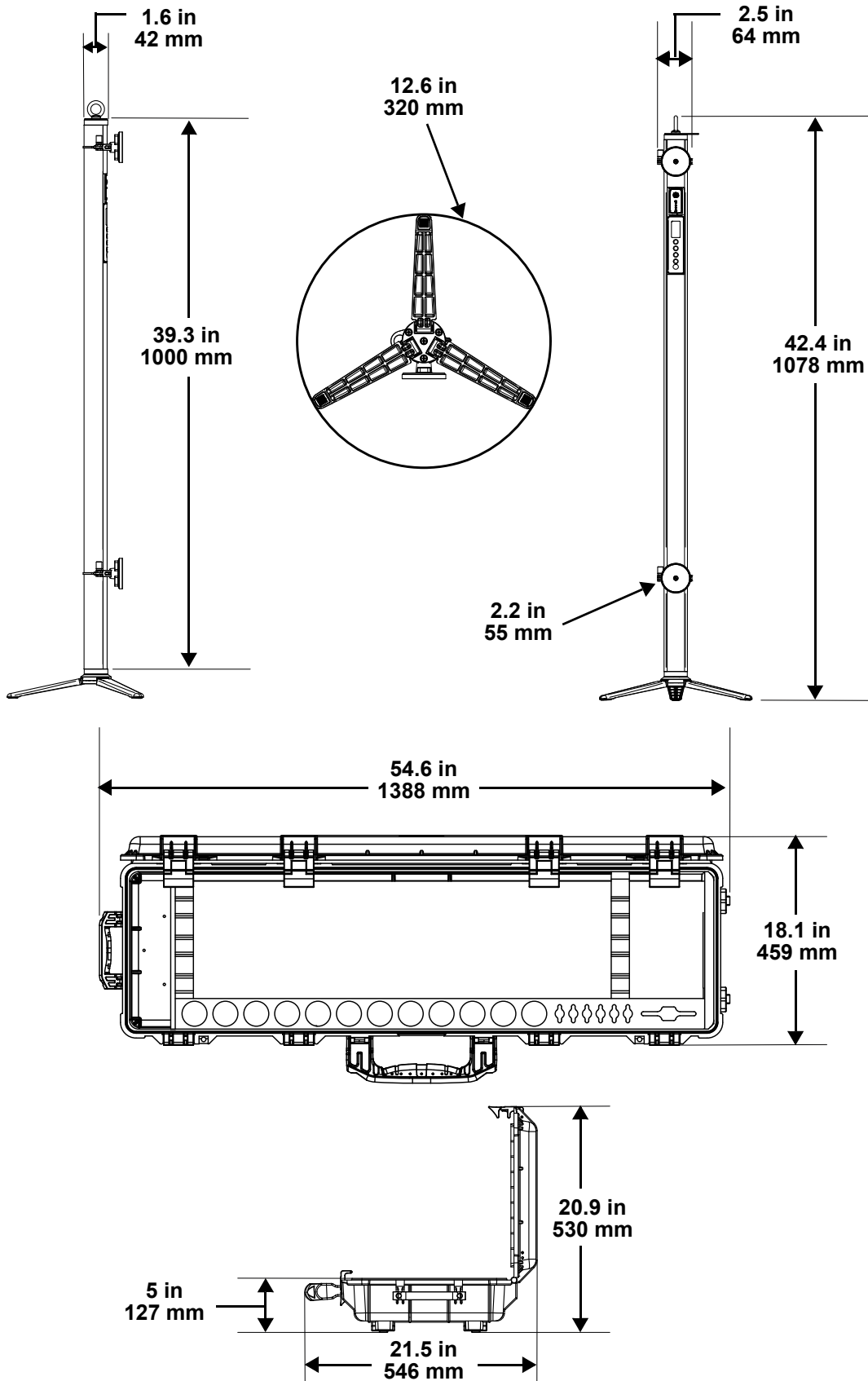
Features

- (6) pixel-mapping, battery-operated, 1 meter, IP65-rated LED strips with 180° viewing angle, including (6) mounting stands, (12) magnetic brackets, (6) hanging eye bolts, (6) stealth black filters, (1) IR remote, and (1) charging case
- 16 individual zones of control for pixel mapping effects
- High-CRI (Color Rendering Index) LEDs for fantastic skin tone rendering
- Simple and complex operational modes
- Built-in editable pre-programmed effects that are controllable from the menu and over DMX
- 3-, 5-, 8-, and 12-hour settings for optimizing performance time
- Included accessories for several mounting options
- Included charging flat case for easy transportation and charging of fixtures
- Update software over USBc connection in flight case (upload all 6 fixtures at once)
- Works in both standalone modes and under DMX over W-DMX
- Works perfectly with the WELL COM controller and app

Product Overview



Product Dimensions



3. Setup

AC Power

Each WELL STX 180 has an auto-ranging battery charger inside the fixture that works with an input voltage range of 100 to 240 VAC, 50/60 Hz. To determine the power requirements for each WELL STX 180, refer to the label affixed to the product or the [Technical Specifications](#) chart in this manual. The listed current rating indicates the maximum current draw during normal operation. For more information, download Sizing Circuit Breakers from the Chauvet website: www.chauvetprofessional.com.



- **Always connect the product to a protected circuit (a circuit breaker or fuse). Make sure the product has an appropriate electrical ground to avoid the risk of electrocution or fire.**
- **To eliminate unnecessary wear and improve its lifespan, during periods of non-use completely disconnect the product from power via breaker or by unplugging it.**



Never connect the product to a rheostat (variable resistor) or dimmer circuit, even if the rheostat or dimmer channel serves only as a 0 to 100% switch.

AC Plug

The WELL STX 180 charging case comes with a power input cord terminated with a Seetronic Powerkon connector on one end and an Edison plug on the other end (U.S. market). Use the table below to wire the new plug.

Connection	Wire (U.S.)	Wire (Europe)	Screw Color
AC Live	Black	Brown	Yellow or Brass
AC Neutral	White	Blue	Silver
AC Ground	Green/Yellow	Green/Yellow	Green

Power Linking

It is possible to power link WELL STX 180 charging cases. See the table below for the current draw at each voltage and frequency:

	100 V, 60 Hz	120 V, 60 Hz	208 V, 60 Hz	230 V, 50 Hz	240 V, 60 Hz
Current Draw	1.687 A	1.396 A	0.848 A	0.769 A	0.738 A

Never exceed 12A on a single circuit. Power-linking cables can be purchased separately.

USB Software Update

The WELL STX 180 allows for software update through USB using the built-in USB port in the charging case. The product's USB port supports up to 32GB capacity and only works with FAT32 file format. To update the software using a USB flash drive, do the following:

1. Create a folder on the USB drive named "**STX180**" and drag the software onto it.
2. Power on the WELL STX 180 products that need a software upgrade.
3. Place the WELL STX 180 in the charging flight case and connect them to the charging ports. Connect the power cable to the charging case.
4. Plug in the USB to the USB port and check the upgrade indicator light.
 - A flashing upgrade indicator light means the software is upgrading.
 - A steady, always on upgrade indicator light means the software update is finished.



The product's USB port supports up to 32GB capacity and only works with FAT32 file format.

DMX Linking

The WELL STX 180 can be linked to a DMX controller using a wireless DMX connection. If using other DMX-compatible products with this product, each can be controlled individually with a single DMX controller.

DMX Personalities

The WELL STX 180 uses a wireless DMX data connection for the **4Ch**, **15Ch**, **64Ch**, **67Ch**, and **73Ch** DMX personalities.

- Refer to the [Operation](#) chapter to learn how to configure the WELL STX 180 to work in these personalities.
- The [DMX Values](#) section provides detailed information regarding the control personalities.



For more information about DMX standards, Master/Slave connectivity, or the DMX cables needed to link this product to a DMX controller, download the DMX Primer from the Chauvet website: www.chauvetprofessional.com.

Wireless Operation

In optimal conditions, the WELL STX 180 can operate up to 300 m (900 ft) away from the W-DMX TRX transmitter. The W-DMX receiver in the WELL STX 180 must be paired with the W-DMX TRX transmitter for wireless operation.



Once a WDMX receiver has been linked to a specific W-DMX TRX transmitter, it will remain linked to that specific transmitter until it is linked to a different one.

Initial Setup

1. Turn the W-DMX TRX transmitter on.
2. Connect the W-DMX TRX transmitter to a DMX controller.
3. Place the WELL STX 180 within 300 m from the W-DMX TRX transmitter.
4. Turn the WELL STX 180 on.

Configuration

1. From the WELL STX 180 control panel, go to **DMX Address**.
2. Select the start address, as with any other DMX compatible product.
3. Go to **Wireless Setting > Operating Mode**.
4. Select **Receive**.
5. Go to **Wireless Setting > W-DMX On/Off**.
6. Select **On**. (The Signal Strength Indicator will show a ? in front of the bars).
7. Press the reset button on the W-DMX transmitter. (The Signal Strength Indicator on the WELL STX 180 will show a ⚡ in front of the bars for 3 seconds while a connection is established).

Product Pairing

If the WELL STX 180 has already been paired with the W-DMX TRX transmitter, the Signal Strength Indicator in the middle of the LCD screen will show the strength of the signal. In this case, the WELL STX 180 is ready to work in wireless mode.

To pair the WELL STX 180 and a new W-DMX transmitter, follow the instructions below:

1. From the WELL STX 180 control panel, go to **Wireless Setting > Receive Reset**.
2. Select **Yes**. The Signal Strength Indicator on the WELL STX 180 will show a ? in front of the bars.
3. From the W-DMX transmitter, press **<RESET>** (the Signal Indicator on the transmitter will flash).
4. Once the transmitter has found the WELL STX 180, the Signal indicator on the W-DMX transmitter will illuminate solid.
5. The Signal Strength Indicator in the middle of the LCD screen on the WELL STX 180 will show the strength of the signal.



W-DMX operation can be interrupted or inhibited by liquid masses between the transmitter and receiver. For best results, keep the area between the transmitter and receiver clear of any liquid mass.

Master/Slave Connectivity

The Master/Slave mode allows an WELL STX 180 (the master) to control one or more WELL STX 180 products (the slaves) without a DMX controller. One WELL STX 180 becomes the master when running an auto program, or by being in Static mode.

Configure each slave's control panel to operate in Slave mode. During Master/Slave operation, the slaves will operate in unison with the master.



DO NOT connect a DMX controller to products operating in Master/Slave mode. The DMX controller signals may interfere with the signals from the master.



- The [Master/Slave Mode](#) section of this manual provides detailed instructions on how to configure the master and slaves.
- For more information about DMX standards, or the DMX cables needed to link this product to a DMX controller, download the DMX Primer from the Chauvet website: www.chauvetprofessional.com.

Mounting

Before mounting the product, read and follow the safety recommendations indicated in the [Safety Notes](#). For the Chauvet Professional line of mounting clamps, go to <http://trusst.com/products/>.

Orientation

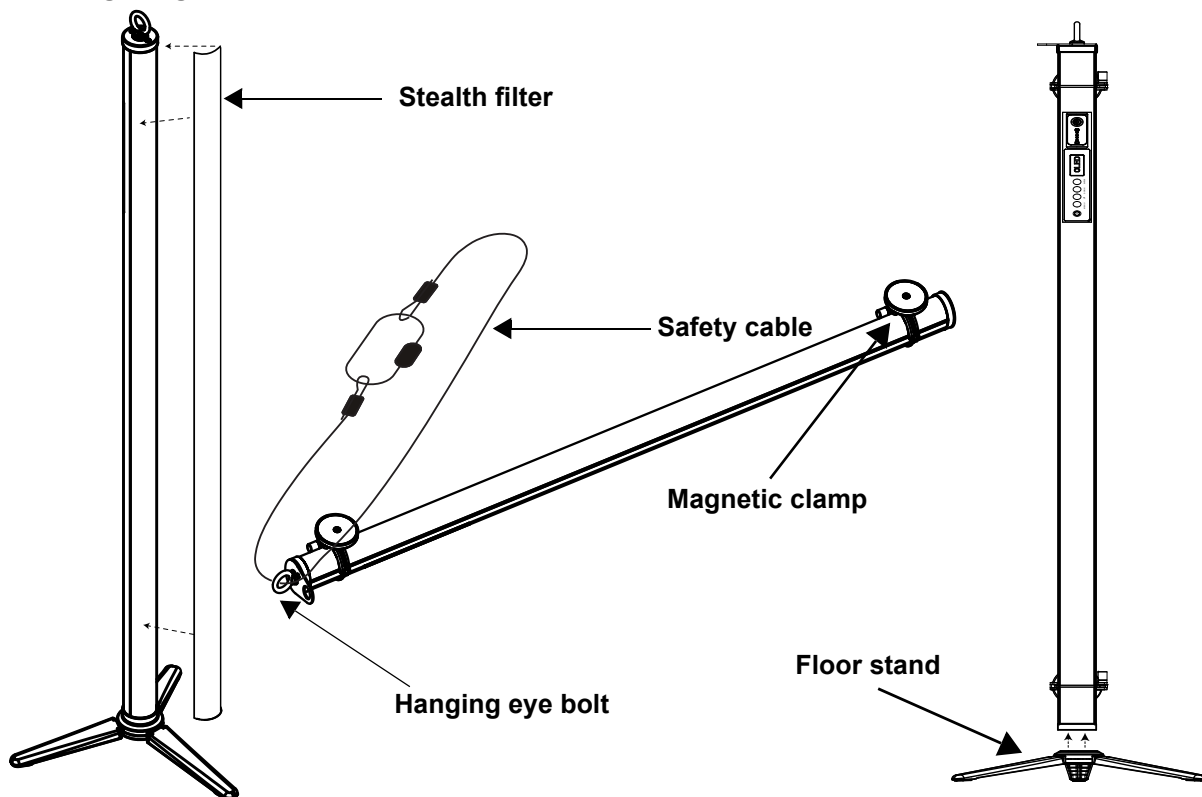
Always mount this product in a safe position, making sure there is adequate room for ventilation, configuration, and maintenance.

Rigging

Chauvet recommends using the following general guidelines when mounting this product.

- Before deciding on a location for the product, make sure there is easy access to the product for maintenance and programming purposes.
- Make sure that the structure or surface can support the weight before hanging the product (see the [Technical Specifications](#)).
- When mounting the product overhead, always use a safety cable. Mount the product securely to a rigging point, whether an elevated platform or a truss.
- When rigging the product onto a truss, use a mounting clamp of appropriate weight capacity.
- When power linking multiple products, mount the products close enough for power-linking cables to reach.

Mounting Diagram



Stealth Filter

The WELL STX 180 comes with black stealth filters that allow the product to become invisible when it is turned off and is in front of a dark background. The stealth filter easily snaps to the WELL STX 180 for quick installation and removal.

4. Operation

Control Panel Operation

Button	Function
<MENU>	Exits from the current menu or function
<ENTER>	Enables the currently displayed menu or sets the currently selected value in to the current function
<UP>	Navigates upward through the menu list or increases the numeric value when in a function
<DOWN>	Navigates downward through the menu list or decreases the numeric value when in a function

Programming

Refer to the [Menu Map](#) to understand the menu options. The menu map shows the main level and a variable number of programming levels for each option.

- To go to the desired main level, press <MENU> repeatedly until the option shows on the display. Press <ENTER> to select. This will show the first programming level for that option.
- To select an option or value within the current programming level, press <UP> or <DOWN> until the option shows on the display. Press <ENTER> to select. This will show either the first option if there is another programming level, or the selected value.
- Press <MENU> repeatedly to exit to the previous main level.

Control Panel Lock

The setting locks or unlocks the control panel.

1. Go to the **Key Lock** main level.
2. Select **On** (locks control panel) or **Off** (control panel stays unlocked).



When the control panel lock is activated, the product will prompt for the passcode to access the menu. To enter the passcode, press: <UP>, <DOWN>, <UP>, <DOWN>, <ENTER>.

DMX Configuration

Use DMX configurations to operate the product with a DMX controller.

DMX Personalities

This setting allows the user to choose a particular DMX personality.

1. Go to the **DMX Personality** main level.
2. Select the desired personality (**4Ch**, **15Ch**, **64Ch**, **67Ch**, or **73Ch**).



- See the [Starting Address](#) section for the highest starting address suggested for each personality.
- Make sure that the starting addresses on the various products do not overlap due to the new personality setting.

Starting Address

In this mode, each product will respond to a unique starting address from the DMX controller. All products with the same starting address will respond in unison.

1. Go to the **DMX Address** main level.
2. Set the starting address (**001–512**).

The highest recommended starting address for each DMX mode is as follows:

DMX Personality	DMX Address
4Ch	509
15Ch	498
64Ch	449
67Ch	446
73Ch	440

Menu Map

Refer to the WELL STX 180 product page on www.chauvetprofessional.com for the latest menu map.

Main Level	Programming Levels		Description			
DMX Address	001–512		Selects DMX address (highest channel restricted to personality chosen)			
	4Ch		4-channel: RGBW			
DMX Channel	15Ch		15-channel: RGBW, color temperature, strobe, auto programs, auto speed, foreground color dimmer, foreground color, background color dimmer, background color, dimmer speed, auto delay			
	64Ch		64-channel: RGBW 1–16			
	67Ch		67-channel: RGBW 1–16, strobe, dimmer, dimmer speed			
	73Ch		73-channel: RGBW 1–16, strobe, auto programs, auto speed, foreground color dimmer, foreground color, background color dimmer, background color, dimmer speed			
Static	Manual Color	R	000–255	Manually adjusts RGBW color settings		
		G				
Color Temperature	Color Temperature	B			Dimmer 0–255	Selects preset color temperature
		W				
		2800K				
		2900K				
		3000K				
		3100K				
		3200K				
		3300K				
		3400K				
		3500K				
		3600K				
		3700K				
		3800K				
		3900K				
		4000K				
		4100K				
		4200K				
		4300K				
		4400K				
		4500K				
		4600K				
		4700K				
		4800K				
		4900K				
		5000K				
		5100K				
		5200K				
5300K						
5400K						
5500K						
5600K						
5700K						
6000K						
6500K						
7000K						
7500K						
8000K						

Operation



Main Level	Programming Levels		Description	
Static (cont.)	Fixed color	R	Red	
		G	Green	
		B	Blue	
		W	White	
		GB	Green + blue	
		RB	Red + blue	
		RG	Red + green	
		RGB	Red + green + blue	
		RW	Red + white	
		GW	Green + white	
		BW	Blue + white	
		RGW	Red + green + white	
		RBW	Red + blue + white	
		GBW	Green + blue + white	
RGBW	Red + green + blue + white			
Auto Show	Auto 1–28	Foreground	R	Red
			G	Green
			B	Blue
			W	White
			GB	Green + blue
			RB	Red + blue
			RG	Red + green
			RGB	Red + green + blue
			RW	Red + white
			GW	Green + white
			BW	Blue + white
			RGW	Red + green + white
			RBW	Red + blue + white
			GBW	Green + blue + white
			RGBW	Red + green + blue + white
			2800K	2800K white
			7000K	7000K white
			Auto	Auto colors
	Off	No foreground color		
	Auto 1–28	Background	R	Red
			G	Green
			B	Blue
			W	White
			GB	Green + blue
			RB	Red + blue
			RG	Red + green
			RGB	Red + green + blue
			RW	Red + white
			GW	Green + white
			BW	Blue + white
			RGW	Red + green + white
			RBW	Red + blue + white
			GBW	Green + blue + white
			RGBW	Red + green + blue + white
2800K			2800K white	
7000K	7000K white			
Auto	Auto colors			
Off	No background color			
	Speed	1–100	Adjusts speed of auto programs	

Main Level	Programming Levels		Description
Wireless Setting	W-DMX On/Off		On Off
	Receive Reset (Only in Receive mode)		No Yes
	Link (Only in Transmit mode)		Link Unlink
	Operating Mode		Receive Transmit
White Balance	Off		Turns off white balance
	Manual	R	125–255
		G	
		B	
W			
IR Setting	On Off		Turns on infrared mode for IRC-6 remote use
	3 hours 5 hours 8 hours 12 hours		Shows product run time
Dimmer Mode	Off		Dimmer off
	Dimmer 1–3		Dimming curves Dimmer 1 (fast) to Dimmer 3 (slow)
Back Light	10S		Turns off display backlight after 10 seconds of inactivity
	30S		Turns off display backlight after 30 seconds of inactivity
	2min		Turns off display backlight after 2 minutes of inactivity
	Always On		Display backlight always on
Key lock	On		Locks/unlocks the display
	Off		(Password is: <UP>, <DOWN>, <UP>, <DOWN>, <ENTER>)
Information	Fixture Hours	----_H	Shows total hours the product has been powered on
	LED Hours	----_H	Shows total LED hours
	Version	V_._	Shows current firmware version
	UID	-----	Shows product UID
Factory Reset	No		Resets the product to factory default settings
	Yes		

Operation

DMX Values

73Ch / 67Ch / 64Ch

64Ch	67Ch	73Ch	Function	Value	Percent/Setting
1	1	1	Red 1	000 ⇄ 255	0–100%
2	2	2	Green 1	000 ⇄ 255	0–100%
3	3	3	Blue 1	000 ⇄ 255	0–100%
4	4	4	White 1	000 ⇄ 255	0–100%
5	5	5	Red 2	000 ⇄ 255	0–100%
6	6	6	Green 2	000 ⇄ 255	0–100%
7	7	7	Blue 2	000 ⇄ 255	0–100%
8	8	8	White 2	000 ⇄ 255	0–100%
9	9	9	Red 3	000 ⇄ 255	0–100%
10	10	10	Green 3	000 ⇄ 255	0–100%
11	11	11	Blue 3	000 ⇄ 255	0–100%
12	12	12	White 3	000 ⇄ 255	0–100%
13	13	13	Red 4	000 ⇄ 255	0–100%
14	14	14	Green 4	000 ⇄ 255	0–100%
15	15	15	Blue 4	000 ⇄ 255	0–100%
16	16	16	White 4	000 ⇄ 255	0–100%
17	17	17	Red 5	000 ⇄ 255	0–100%
18	18	18	Green 5	000 ⇄ 255	0–100%
19	19	19	Blue 5	000 ⇄ 255	0–100%
20	20	20	White 5	000 ⇄ 255	0–100%
21	21	21	Red 6	000 ⇄ 255	0–100%
22	22	22	Green 6	000 ⇄ 255	0–100%
23	23	23	Blue 6	000 ⇄ 255	0–100%
24	24	24	White 6	000 ⇄ 255	0–100%
25	25	25	Red 7	000 ⇄ 255	0–100%
26	26	26	Green 7	000 ⇄ 255	0–100%
27	27	27	Blue 7	000 ⇄ 255	0–100%
28	28	28	White 7	000 ⇄ 255	0–100%
29	29	29	Red 8	000 ⇄ 255	0–100%
30	30	30	Green 8	000 ⇄ 255	0–100%
31	31	31	Blue 8	000 ⇄ 255	0–100%
32	32	32	White 8	000 ⇄ 255	0–100%
33	33	33	Red 9	000 ⇄ 255	0–100%
34	34	34	Green 9	000 ⇄ 255	0–100%
35	35	35	Blue 9	000 ⇄ 255	0–100%
36	36	36	White 9	000 ⇄ 255	0–100%
37	37	37	Red 10	000 ⇄ 255	0–100%
38	38	38	Green 10	000 ⇄ 255	0–100%
39	39	39	Blue 10	000 ⇄ 255	0–100%
40	40	40	White 10	000 ⇄ 255	0–100%
41	41	41	Red 11	000 ⇄ 255	0–100%
42	42	42	Green 11	000 ⇄ 255	0–100%
43	43	43	Blue 11	000 ⇄ 255	0–100%
44	44	44	White 11	000 ⇄ 255	0–100%
45	45	45	Red 12	000 ⇄ 255	0–100%
46	46	46	Green 12	000 ⇄ 255	0–100%
47	47	47	Blue 12	000 ⇄ 255	0–100%
48	48	48	White 12	000 ⇄ 255	0–100%
49	49	49	Red 13	000 ⇄ 255	0–100%
50	50	50	Green 13	000 ⇄ 255	0–100%
51	51	51	Blue 13	000 ⇄ 255	0–100%
52	52	52	White 13	000 ⇄ 255	0–100%
53	53	53	Red 14	000 ⇄ 255	0–100%

64Ch	67Ch	73Ch	Function	Value	Percent/Setting
54	54	54	Green 14	000 ⇄ 255	0–100%
55	55	55	Blue 14	000 ⇄ 255	0–100%
56	56	56	White 14	000 ⇄ 255	0–100%
57	57	57	Red 15	000 ⇄ 255	0–100%
58	58	58	Green 15	000 ⇄ 255	0–100%
59	59	59	Blue 15	000 ⇄ 255	0–100%
60	60	60	White 15	000 ⇄ 255	0–100%
61	61	61	Red 16	000 ⇄ 255	0–100%
62	62	62	Green 16	000 ⇄ 255	0–100%
63	63	63	Blue 16	000 ⇄ 255	0–100%
64	64	64	White 16	000 ⇄ 255	0–100%
–	65	65	Strobe	000 ⇄ 010	Off
				011 ⇄ 255	Strobe, slow to fast
–	–	66	Auto programs	000 ⇄ 010	No function
				011 ⇄ 018	Auto program 1
				019 ⇄ 026	Auto program 2
				027 ⇄ 034	Auto program 3
				035 ⇄ 042	Auto program 4
				043 ⇄ 050	Auto program 5
				051 ⇄ 058	Auto program 6
				059 ⇄ 066	Auto program 7
				067 ⇄ 074	Auto program 8
				075 ⇄ 082	Auto program 9
				083 ⇄ 090	Auto program 10
				091 ⇄ 098	Auto program 11
				099 ⇄ 106	Auto program 12
				107 ⇄ 114	Auto program 13
				115 ⇄ 122	Auto program 14
				123 ⇄ 130	Auto program 15
				131 ⇄ 138	Auto program 16
				139 ⇄ 146	Auto program 17
				147 ⇄ 154	Auto program 18
				155 ⇄ 162	Auto program 19
				163 ⇄ 170	Auto program 20
				171 ⇄ 178	Auto program 21
				179 ⇄ 186	Auto program 22
				187 ⇄ 194	Auto program 23
				195 ⇄ 202	Auto program 24
				203 ⇄ 210	Auto program 25
				211 ⇄ 218	Auto program 26
				219 ⇄ 226	Auto program 27
227 ⇄ 255	Auto program 28 (cycles through auto programs 1–27)				
–	–	67	Auto speed	000 ⇄ 255	0–100%
–	–	68	Foreground color dimmer	000 ⇄ 255	0–100%

Operation



64Ch	67Ch	73Ch	Function	Value	Percent/Setting
-	-	69	Foreground color	000 ⇔ 013 014 ⇔ 027 028 ⇔ 041 042 ⇔ 055 056 ⇔ 069 070 ⇔ 083 084 ⇔ 097 098 ⇔ 111 112 ⇔ 125 126 ⇔ 139 140 ⇔ 153 154 ⇔ 167 168 ⇔ 181 182 ⇔ 195 196 ⇔ 209 210 ⇔ 223 224 ⇔ 237 238 ⇔ 255	Red Green Blue White Green + blue Red + blue Red + green Red + green + blue Red + white Green + white Blue + white Red + green + white Red + blue + white Green + blue + white Red + green + blue + white 2800K 7000K Auto
-	-	70	Background color dimmer	000 ⇔ 255	0–100%
-	-	71	Background color	000 ⇔ 013 014 ⇔ 027 028 ⇔ 041 042 ⇔ 055 056 ⇔ 069 070 ⇔ 083 084 ⇔ 097 098 ⇔ 111 112 ⇔ 125 126 ⇔ 139 140 ⇔ 153 154 ⇔ 167 168 ⇔ 181 182 ⇔ 195 196 ⇔ 209 210 ⇔ 223 224 ⇔ 237 238 ⇔ 255	Red Green Blue White Green + blue Red + blue Red + green Red + green + blue Red + white Green + white Blue + white Red + green + white Red + blue + white Green + blue + white Red + green + blue + white 2800K 7000K Auto
-	66	72	Dimmer	000 ⇔ 255	0–100%
-	67	73	Dimmer speed	000 ⇔ 051 052 ⇔ 101 102 ⇔ 152 153 ⇔ 203 204 ⇔ 255	Preset dimmer speed from display menu Dimmer speed mode off Dimmer speed mode 1 (fastest) Dimmer speed mode 2 Dimmer speed mode 3 (slowest)

15Ch / 4Ch

4Ch	15Ch	Function	Value	Percent/Setting
-	1	Dimmer	000 ⇔ 255	0-100%
1	2	Red	000 ⇔ 255	0-100%
2	3	Green	000 ⇔ 255	0-100%
3	4	Blue	000 ⇔ 255	0-100%
4	5	White	000 ⇔ 255	0-100%
-	6	Color temperature	000 ⇔ 255	See Color Temperature Chart
-	7	Strobe	000 ⇔ 010 011 ⇔ 255	No function Strobe, slow to fast
-	8	Auto programs	000 ⇔ 010 011 ⇔ 018 019 ⇔ 026 027 ⇔ 034 035 ⇔ 042 043 ⇔ 050 051 ⇔ 058 059 ⇔ 066 067 ⇔ 074 075 ⇔ 082 083 ⇔ 090 091 ⇔ 098 099 ⇔ 106 107 ⇔ 114 115 ⇔ 122 123 ⇔ 130 131 ⇔ 138 139 ⇔ 146 147 ⇔ 154 155 ⇔ 162 163 ⇔ 170 171 ⇔ 178 179 ⇔ 186 187 ⇔ 194 195 ⇔ 202 203 ⇔ 210 211 ⇔ 218 219 ⇔ 226 227 ⇔ 255	No function Program 1 Program 2 Program 3 Program 4 Program 5 Program 6 Program 7 Program 8 Program 9 Program 10 Program 11 Program 12 Program 13 Program 14 Program 15 Program 16 Program 17 Program 18 Program 19 Program 20 Program 21 Program 22 Program 23 Program 24 Program 25 Program 26 Program 27 Program 28 (cycles through programs 1-27)
-	9	Auto speed	000 ⇔ 255	Auto programs speed, slow to fast
-	10	Foreground color dimmer	000 ⇔ 255	0-100%

Operation



4Ch	15Ch	Function	Value	Percent/Setting
-	11	Foreground color	000 ⇔ 013 014 ⇔ 027 028 ⇔ 041 042 ⇔ 055 056 ⇔ 069 070 ⇔ 083 084 ⇔ 097 098 ⇔ 111 112 ⇔ 125 126 ⇔ 139 140 ⇔ 153 154 ⇔ 167 168 ⇔ 181 182 ⇔ 195 196 ⇔ 209 210 ⇔ 223 224 ⇔ 237 238 ⇔ 255	Red Green Blue White Green + blue Red + blue Red + green Red + green + blue Red + white Green + white Blue + white Red + green + white Red + blue + white Green + blue + white Red + green + blue + white 2800K 7000K Auto
-	12	Background color dimmer	000 ⇔ 255	0–100%
-	13	Background color	000 ⇔ 013 014 ⇔ 027 028 ⇔ 041 042 ⇔ 055 056 ⇔ 069 070 ⇔ 083 084 ⇔ 097 098 ⇔ 111 112 ⇔ 125 126 ⇔ 139 140 ⇔ 153 154 ⇔ 167 168 ⇔ 181 182 ⇔ 195 196 ⇔ 209 210 ⇔ 223 224 ⇔ 237 238 ⇔ 255	Red Green Blue White Green + blue Red + blue Red + green Red + green + blue Red + white Green + white Blue + white Red + green + white Red + blue + white Green + blue + white Red + green + blue + white 2800K 7000K Auto
-	14	Dimmer speed mode	000 ⇔ 051 052 ⇔ 101 102 ⇔ 152 153 ⇔ 203 204 ⇔ 255	Preset dimmer speed from display menu Dimmer speed mode off Dimmer speed mode 1 (fastest) Dimmer speed mode 2 Dimmer speed mode 3 (slowest)
-	15	Auto delay	000 ⇔ 255	0–100%

Color Temperature Chart

DMX Value	Display Readout	DMX Value	Display Readout
000 ⇄ 005	No function	125 ⇄ 131	4500K
006 ⇄ 012	2800K	132 ⇄ 138	4600K
013 ⇄ 019	2900K	139 ⇄ 145	4700K
020 ⇄ 026	3000K	146 ⇄ 152	4800K
027 ⇄ 033	3100K	153 ⇄ 159	4900K
034 ⇄ 040	3200K	160 ⇄ 166	5000K
041 ⇄ 047	3300K	167 ⇄ 173	5100K
048 ⇄ 054	3400K	174 ⇄ 180	5200K
055 ⇄ 061	3500K	181 ⇄ 187	5300K
062 ⇄ 068	3600K	188 ⇄ 194	5400K
069 ⇄ 075	3700K	195 ⇄ 201	5500K
076 ⇄ 082	3800K	202 ⇄ 208	5600K
083 ⇄ 089	3900K	209 ⇄ 215	5700K
090 ⇄ 096	4000K	216 ⇄ 222	6000K
097 ⇄ 103	4100K	223 ⇄ 229	6500K
104 ⇄ 110	4200K	230 ⇄ 236	7000K
111 ⇄ 117	4300K	237 ⇄ 243	7500K
118 ⇄ 124	4400K	244 ⇄ 255	8000K

Operation

Standalone Configuration

Use standalone configuration to operate the product without a DMX controller.

Static Mode

Manual Color Mixer

To do color mixing without a DMX controller, follow the instructions below:

1. Go to the **Static** main level.
2. Select **Manual Color**.
3. Select which **RGBW** color to adjust.
4. Set color value from **000–255**.

Color Temperature

To select a preset color temperature, do the following:

1. Go to the **Static** main level.
2. Select **Color Temperature**.
3. Select the desired color temperature, from **2800K** to **8000K**.
4. Set the dimmer value, from **0** to **255**.

Fixed Color

To select a single or combination RGBW color, follow the instructions below:

1. Go to the **Static** main level.
2. Select **Fixed Color**.
3. Select a single RGBW color or an RGBW color combination.
4. Set the dimmer value, from **0** to **255**.

Auto Programs

To select which auto program to display, do the following:

1. Go to the **Auto Show** main level.
2. Select the desired auto program, from **Auto 1–28**.
3. Select between **Foreground** (sets what foreground color to display) and **Background** (sets what background color to display).
4. Select among **RGBW** color or color combinations, **2800K**, **7000K**, **Auto** (automatic colors), or **Off** (no foreground or background color).



The auto programs cannot be edited.

Auto Program Speed

To adjust the speed of the auto programs, follow the instructions below:

1. Go to the **Auto Show** main level.
2. Select the desired auto program, from **Auto 1–28**.
3. Select **Speed**.
4. Select the speed of auto programs, from **1** (slowest) to **100** (fastest).

White Balance

To set the maximum values of a given LED color to create a white light output, do the following:

1. Go to the **White Balance** main level.
2. Select **Off** (to use factory default white setting) or **Manual** (to customize the white balance).
 - a. Select the desired color (**RGBW**).
 - b. Set the desired value for the selected color (**125–255**).
 - c. Repeat steps a–b until the static color is set as desired.

Run Time

To lessen the product output to maximize the product run time, follow the instructions below:

1. Go to the **Run Time** main level.
2. Select the desired product run time (**3**, **5**, **8**, and **12 hours**).

Back Light

To select the amount of time the back light on the WELL STX 180's display stays on after the last button is pressed on the control panel, do the following:

1. Go to the **RBack Light** main level.
2. Select **Always On** (remains On), **10S** (10 seconds), **30S** (30 seconds), or **2min** (2 minutes).

Dimmer Profiles

This setting provides four different options to simulate the dimming curve of an incandescent lighting product. To set how fast the output of the WELL STX 180 changes when the output value is modified, do the following:

1. Go to the **Dimmer Mode** main level.
2. Select a dimmer curve (**Off**, **Dimmer 1**, **Dimmer 2**, or **Dimmer 3**).



Off: The output is proportional (linear) to the dimmer channel value.

Dimmer 1–3: The output follows the dimmer value based on the corresponding dimmer curve, DIM1 being the fastest.

System Information

To display the total number of hours the product has run, the total LED hours, the installed software version, and the product's UID, follow the instructions below:

1. Go to the **Information** main level.
2. Select **Fixture Hours**, **LED Hours**, **Version**, or **UID**.

Factory Reset

To restore the WELL STX 180 to factory default settings, do the following:

1. Go to the **Factory Reset** main level.
2. Select **No** (do not reset) or **Yes** (reset to factory default settings).

Master/Slave Mode

The Master/Slave mode allows a group of WELL STX 180 products (the slaves) to simultaneously duplicate the output of another WELL STX 180 (the master) without a DMX controller. To set each of the slaves:

1. Go to **Wireless Setting > W-DMX On/Off**.
2. Select **On**.
3. Go to **Wireless Setting > Operating Mode**.
4. Select **Receive**.
5. Go to **Wireless Setting > Receive Reset**.
6. Select **Yes**.

To set the master:

1. Go to **Wireless Setting > W-DMX On/Off**.
2. Select **On**.
3. Go to **Wireless Setting > Operating Mode**.
4. Select **Transmit**.
5. Go to **Wireless Setting > Link**.
6. Select **Link** to link to the slave products.
7. Select a standalone setting, or control with the IR remote.



- **The master is the one that runs a program whether in Auto, Static, or IR mode.**
- **Do not connect a DMX controller to the products configured for Master/Slave operation. The DMX controller may interfere with signals from the master.**
- **Do not connect a WDMX transmitter to the products configured for Master/Slave operation. The WDMX transmitter may interfere with signals from the master.**

Infrared Remote Control

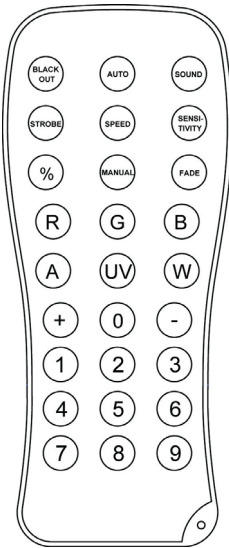
Infrared (IR) mode allows the product to be controlled with an infrared remote control. The IR remote can remotely set the product to various modes; adjust the color, speed, and sensitivity; and set the strobe. The WELL STX 180 is compatible with the IR remote from Chauvet.



It may be necessary to turn the product off and on again when switching from W-DMX to IRC and vice versa.

IR Remote Operation

Ensure that the IR remote is pointing directly at the product, and there is nothing in between the remote and the product.



Automatic Mode

Automatic mode will enable the automatic programs on the product. To turn on Automatic mode:

1. Press **<AUTO>** on the IR remote.
2. Press **<+>** or **<->** to choose between the 28 auto programs.

To adjust the speed of the automatic program:

1. Press **<SPEED>** on the IR remote.
2. Press **<+>** or **<->** to increase or decrease the speed.

Manual Color Control

To choose a specific color with the IR remote, press any number between **<0>** and **<9>**. To manually control the RGBW percentage:

1. Press **<MANUAL>** on the IR remote.
2. Press **<R>**, **<G>**, ****, or **<W>** (red, green, blue, or white) to choose a color.
3. Press **<+>** or **<->** to increase or decrease the value of the selected color.

Miscellaneous Operation

To black out the lights:

- Press **<BLACKOUT>** on the IR remote. This will turn off all the lights until the button is pressed again.

To adjust the output level:

1. Press **<%>** on the IR remote.
2. Press **<+>** or **<->** to increase or decrease the output level.

Note: The IR remote will not respond to any inputs when the Black Out mode is activated. If the remote does not respond when a button is pressed, try pressing <BLACK OUT>. Black Out mode might have been inadvertently activated.

5. Technical Information

Product Maintenance

To maintain optimum performance and minimize wear, clean this product frequently. Usage and environment are contributing factors in determining the cleaning frequency.

Clean this product at least twice a month. Dust build-up reduces light output performance and can cause overheating. This can lead to reduced light source life and increased mechanical wear.

To clean the product:

1. Unplug the product from power.
2. Wait until the product is at room temperature.
3. Use a vacuum (or dry compressed air) and a soft brush to remove dust collected on the external vents.
4. Clean all surfaces with a mild soap solution, ammonia-free glass cleaner, or isopropyl alcohol.
5. Apply the solution directly to a soft, lint free cotton cloth or a lens cleaning tissue.
6. Softly drag any dirt or grime to the outside of the transparent surface.
7. Gently polish the transparent surfaces until they are free of haze and lint.



Always dry the transparent surfaces carefully after cleaning them.



Avoid spinning the cooling fans using compressed air to prevent damage.

Technical Specifications

6. Technical Specifications

Dimensions and Weight

	Length	Width	Height	Weight
WELL STX 180	39.3 in (1000 mm)	1.6 in (42.4 mm)	1.6 in (42.4 mm)	3.4 lb (1.5 kg)
Charging case	56.4 in (1388 mm)	21.4 in (545 mm)	7.1 in (181.5 mm)	22 lb (9.97 kg)

Note: Dimensions in inches rounded to the nearest decimal digit.

Power

Power Supply Type	Range	Voltage Selection
Switching (internal)	100 to 240 VAC, 50/60 Hz	Auto-ranging

Parameter	100 V, 60 Hz	120 V, 60 Hz	208 V, 60 Hz	230 V, 50 Hz	240 V, 50 Hz
Consumption (single unit charging)	30 W	30 W	27 W	26 W	26 W
Consumption (charging case)	167 W	165 W	160 W	159 W	156 W
Operating current (single unit charging)	0.336 A	0.105 A	0.298 A	0.262 A	0.266 A
Operating current (charging case)	1.687 A	1.396 A	0.848 A	0.769 A	0.738 A
Power-linking products (charging cases)	7 products	8 products	14 products	15 products	16 products

Power I/O	U.S./Worldwide	UK/Europe
Power input connector	Seetronic Powerkon IP65	Seetronic Powerkon IP65
Power output connector	Seetronic Powerkon IP65	Seetronic Powerkon IP65
Power cord plug	Edison (U.S.)	Local plug

Battery

Battery Type	Battery Charge	Battery Life	Battery Power
Lithium ion	6 hours	3-, 5-, 8-, or 12-hour settings	14.8 V, 6.7 Ah

Light Source

Type	Color	Quantity	Lifespan
SMD 5050 LED	RGB	64	50,000 hours
	Warm white	64	

Photometrics

Parameter	Total Value	Parameter	Total Value
Beam horizontal angle	126°	Color temperature (range)	2800K to 8000K
Beam vertical angle	125°	Color temperature (full)	9936K
Field horizontal angle	214°	Illuminance (total)	17 lux @ 5m (3 hour runtime)
Field vertical angle	210°		

Thermal

Maximum External Temperature

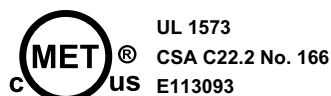
113 °F (45 °C)

DMX

I/O Connector	Channel Range
W-DMX	4, 15, 64, 67, or 73 channels

Ordering

Product Name	Item Name	Item Code	UPC Number
WELL STX 180	WELLSTX180X6	03031686	781462220341



RoHS



Contact Us

General Information	Technical Support
Chauvet World Headquarters	
Address: 3360 Davie Rd. Davie, FL 33314 Voice: (954) 577-4455 Fax: (954) 929-5560 Toll Free: (800) 762-1084	Voice: (844) 393-7575 Fax: (954) 756-8015 Email: chauvetcs@chauvetlighting.com Website: www.chauvetprofessional.com
Chauvet U.K.	
Address: Pod 1 EVO Park Little Oak Drive, Sherwood Park Nottinghamshire, NG15 0EB UK Voice: +44 (0) 1773 511115 Fax: +44 (0) 1773 511110	Email: UKtech@chauvetlighting.eu Website: www.chauvetprofessional.eu
Chauvet Benelux	
Address: Stokstraat 18 9770 Kruishoutem Belgium Voice: +32 9 388 93 97	Email: BNLtech@chauvetlighting.eu Website: www.chauvetprofessional.eu
Chauvet France	
Address: 3, Rue Ampère 91380 Chilly-Mazarin France Voice: +33 1 78 85 33 59	Email: FRtech@chauvetlighting.fr Website: www.chauvetprofessional.eu
Chauvet Germany	
Address: Bruno-Bürgel-Str. 11 28759 Bremen Germany Voice: +49 421 62 60 20	Email: DEtech@chauvetlighting.de Website: www.chauvetprofessional.eu
Chauvet Mexico	
Address: Av. de las Partidas 34 - 3B (Entrance by Calle 2) Zona Industrial Lerma Lerma, Edo. de México, CP 52000 Voice: +52 (728) 690-2010	Email: servicio@chauvet.com.mx Website: www.chauvetprofessional.mx

Warranty & Returns

For warranty terms and conditions and return information, please visit our website.

For customers in the United States and Mexico: www.chauvetlighting.com/warranty-registration.

For customers in the United Kingdom, Republic of Ireland, Belgium, the Netherlands, Luxembourg, France, and Germany: www.chauvetlighting.eu/warranty-registration.