

SSEN-2MP-W INSTALLATION GUIDE

The smartsensor pod, SSEN-2MP-W, collects data on light levels, temperature and motion, generates and detects beacons in iBeacon format. The smartsensor pod is easily installed in to a ceiling tile or junction box near the fixture or in to the fixture itself and connects to a smartgateway. The smartsensor pod, SSEN-2MP-W, must be used with software version 5.5. or newer.

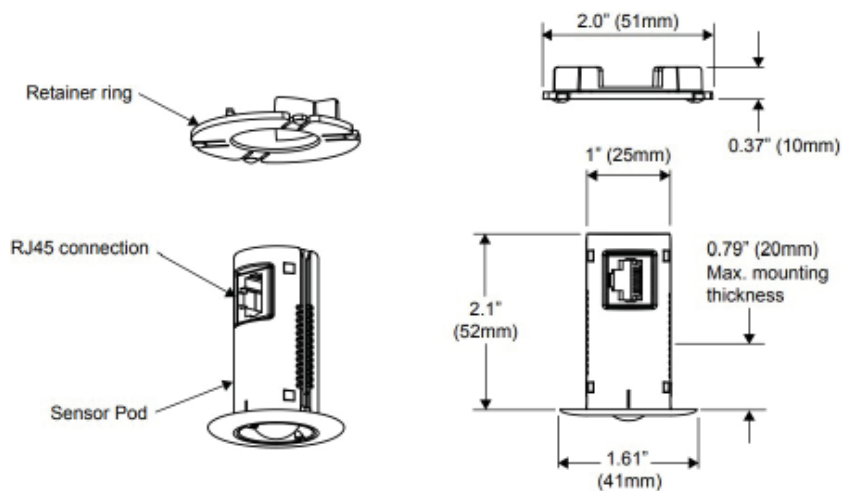


ORDERING INFORMATION

PART NO.	DESCRIPTION
SSEN-2MP-W-c	Sensor pod with beacon

c = W for white and E for black

SMARTSENSOR POD COMPONENTS AND DIMENSIONS



SSEN-2MP-W INSTALLATION GUIDE

IMPORTANT

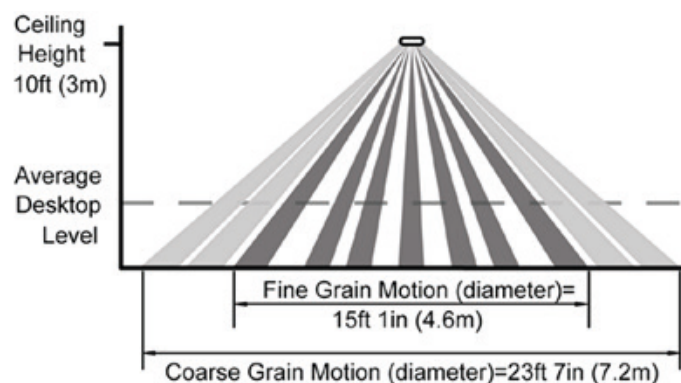
- Be sure the smartsensor is clear of any other equipment above the tile.
- The plastic smartsensor cap should be tight against the ceiling tile.
- The smartsensor may be rotated inside the ceiling tile hole, but it must remain perpendicular to the tile.
- It is recommended to not place smartsensor near heating vents, AC units, or any other electrically dynamic system.
- The smartsensors have been tested by UL to UL2043 which ensure slow smoke-emitting characteristics and suitable fire resistance for equipment that may be installed in environmental air-handling spaces, as described in Article 300.22(c) of the NEC (2008).
- When the product is installed in air-handling spaces, such as above some suspended ceilings, the cabling employed should be suitable under NEC (2008) Article 800.154 and marked accordingly for use in plenums and air-handling spaces with regard to smoke propagation, such as CMP. The products and wiring should be installed in accordance with all applicable local regulations and practices.

PREPARATION

1. The smartsensor pod must be installed within 6 feet (2m) of the smartgateway and connected with a straight-through patch cord.
2. For a lay-in light fixture (2' x 2', 2' x 4', or 600mm x 600mm), smartsensor pods should be placed in the ceiling tile adjacent to the fixture. For downlights, smartsensor pods can be placed in the same ceiling tile.
3. For a lighting installation, the smartsensor pod that controls the fixture should be placed close to the fixture, preferably within 12" (305mm) in order to obtain accurate light level readings and enact daylight harvesting accurately.
4. Determine where in the ceiling tile the smartsensor pod needs to be

NOTE

The motion coverage pattern diagram of the smartsensor is shown below. The diagram illustrates the expected motion sensing coverage for each smartsensor installed at a ceiling height of 10 feet (3m).



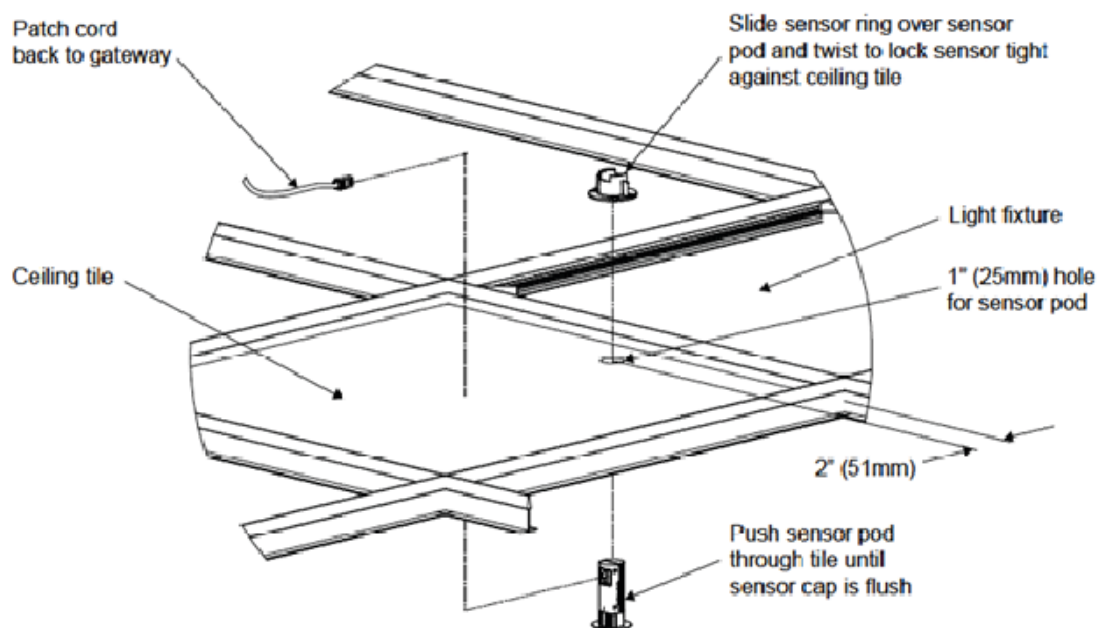
Fine and Coarse Grain Detection Ranges at Ceiling Height of 10 ft. (3m)

SSEN-2MP-W INSTALLATION GUIDE

INSTALLATION

1. Drill a 1" (25mm) diameter hole in the ceiling tile.
2. Carefully push the smartsensor through the ceiling tile.
3. Twist and lock the adjusting height sensor ring to tighten the smartsensor against the tile.
4. Connect the smartsensor pod to the smartgateway.

FIGURE 1



SSEN-2MP-W INSTALLATION GUIDE

COMPLIANCE

Important FCC Compliance Information for Device Operation: This device complies with part 15 of the FCC Rules. Operation is subject to the following two conditions: (1) This device may not cause harmful interference, and (2) this device must accept any interference received, including interference that may cause undesired operation. Changes or modifications not expressly approved by wtec GmbH could void the user's authority to operate the equipment.

Compliance with ISED's Licence-Exempt RSS: This device contains licence-exempt transmitter(s)/receiver(s) that comply with Innovation, Science and Economic Development Canada's licence-exempt RSS(s). Operation is subject to the following two conditions: (1) this device may not cause interference, and (2) this device must accept any interference, including interference that may cause undesired operation of the device.

Cet appareil contient un ou des émetteurs/récepteurs exempts de licence conformes aux RSS exempts de licence d'Innovation, Sciences et Développement économique Canada. Son fonctionnement est soumis aux deux conditions suivantes : (1) cet appareil ne doit pas causer d'interférences et (2) cet appareil doit accepter toute interférence, y compris les interférences susceptibles de provoquer un fonctionnement indésirable de l'appareil.

Registration number

FCCC ID 2BAE8-SSEN2MP | IC 30107-SSEN2MP