

## SWC-5B-SEN smartengine IAQ Wall controller



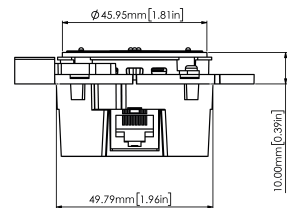
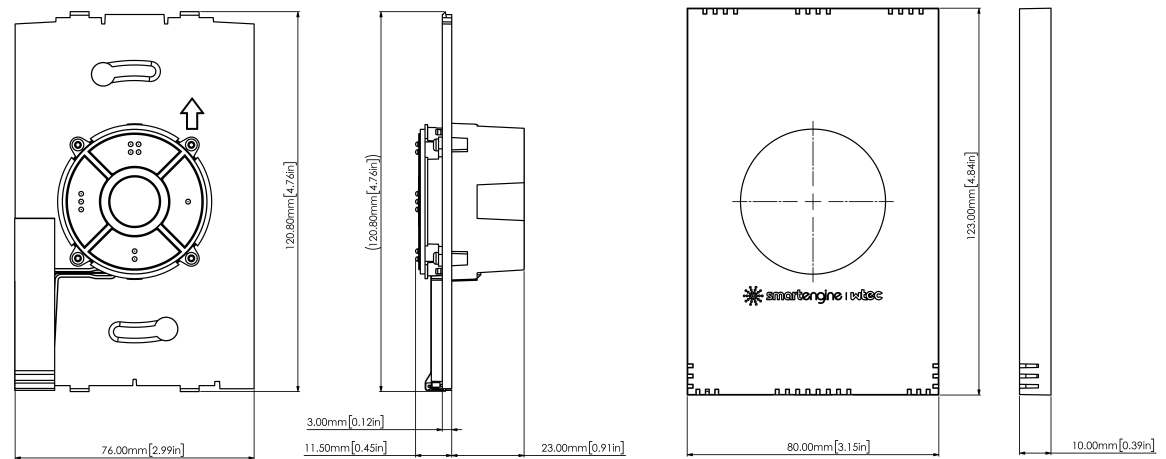
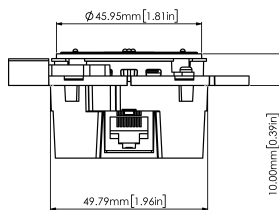
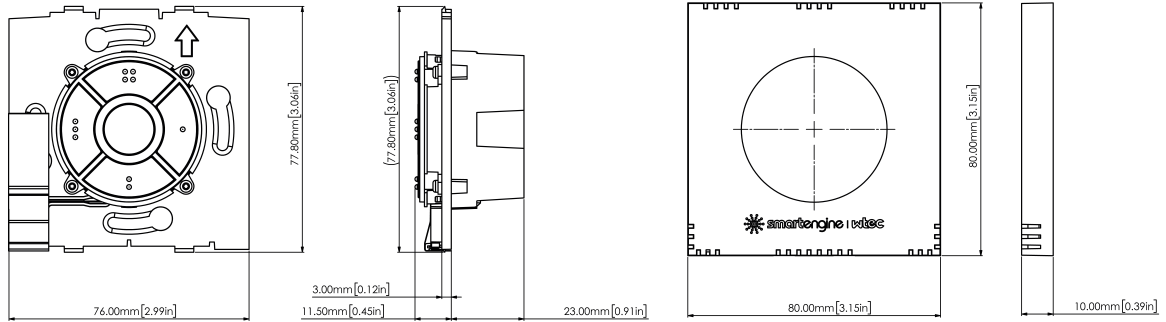
### GENERAL SPECIFICATIONS

Product Type	Wall controller
Application	Dims, controls and selects pre-set scenes for LED fixture groups in a location, integrated sensor detects indoor air quality data
IAQ Data Points	Indoor Air Quality (0-500) CO <sub>2</sub> Equivalent (PPM) VOC Equivalent (PPM) Temperature (F/C) Air Pressure (Pa) Humidity (%)
Includes	5-button configuration
Form	North American Single Gang   European Single Gang
Mount Type	Flush
Mount Note	Mounts to NA or EU standard single or multi-gang electric box with open back   Mounts to standard Decora style insert, snap-on surround faceplate   Can not go in to a multi-gang box
Package Quantity	1

# SWC-5B-SEN

## smartengine IAQ Wall controller

### DIMENSIONS



## SWC-5B-SEN

### smartengine IAQ Wall controller

## MECHANICAL SPECIFICATIONS

smartengine Connector Interface	One channel via dedicated 18 AWG 2-conductor unshielded cable with field-terminated TRM-RJ45-XX or T568A straight-through with RJ45 or T568B crossover with RJ45
Material Type	High-impact, flame retardant, thermoplastic

## ORDERING INFORMATION

Product	Form
<u>SWC-5B-SEN</u>	_____
	NA - North America EU - Europe

## ELECTRICAL SPECIFICATIONS

ANSI/TIA Category	5e   6   6A
Power Consumpt. stby., max.	500 mW

## ENVIRONMENTAL SPECIFICATIONS

Environmental Space	Indoor
Flammability Rating	UL 94 V-2 (faceplate)   UL 94-HB (back plate)
Operating Humidity	10% - 80%, non-condensing
Operating Temperature	0°C to +50°C (+32°F to +122°F)
Storage Humidity	5% - 95%, non-condensing
Storage Temperature	-20°C to +70°C (-4°F to +158°F)

## SAFETY STANDARD

Safety	AS/NZS CISPR 22   c-UL-us   CE   CEC Title 24-2008   IEC 60950   UL 60950   UL 924   UL-us   US FCC Part 15, Class A
--------	--

## REGULATORY COMPLIANCE/CERTIFICATIONS

Agency	Classification
RoHS 2011/65/EU	Compliant

