



## Stylish Domes and Room in Room Structures for events, congresses and offices



Minimum assembly  
and disassembly time



Rooms for 1 to 1000+ people



Optimal acoustics  
& sound insulation



No fan noise



Sustainable and circular

# OFFICE 7

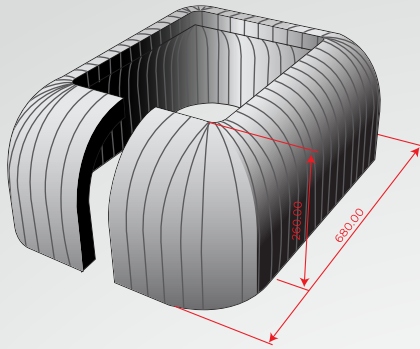


## General

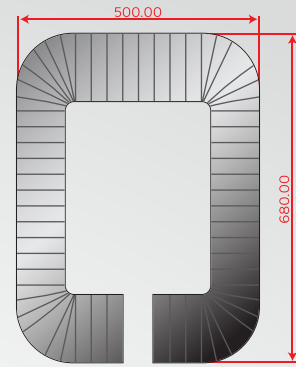
An Inflatable Office is an inflatable workshop room and extremely suitable as a temporary (closed) presentation space, workshop space, meeting space or office space, for example for your conference or event. By applying Inflatable Offices you can also divide a large space into different small spaces in a simple and original way, which offer plenty of privacy for smaller sessions and are also optimally sound-insulating



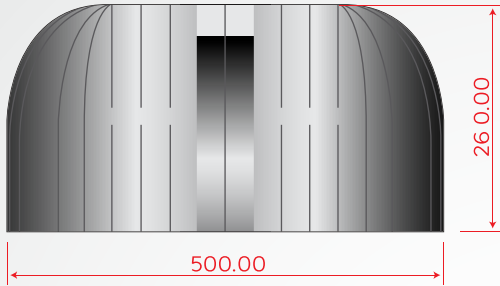
# Measurements



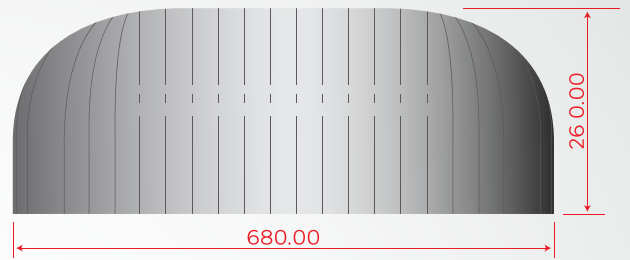
PRESPECTIVE



TOP



FRONT



RIGHT



Length  
(outer / inner)  
6.8 m  
5.8 m

Width  
(outer / inner)  
5 m  
4 m

Height  
(outer / inner)  
2.6 m

Surface  
(inner)  
23.2 m<sup>2</sup>

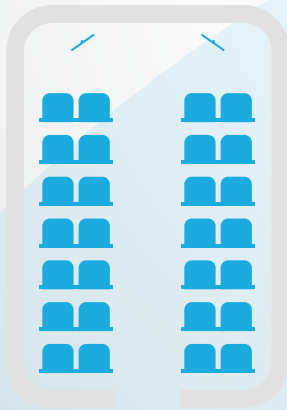
Max chairs  
28

Color  
white

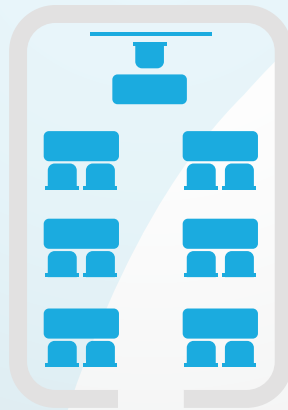
LED  
RGB bars  
of 1m

Weight  
32 kg

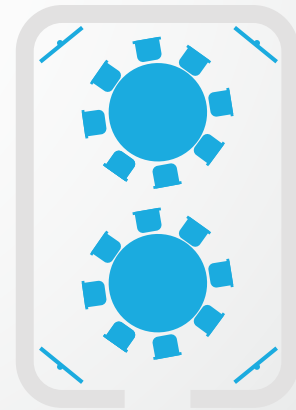
Power  
220v  
330w no LED  
730w With LED



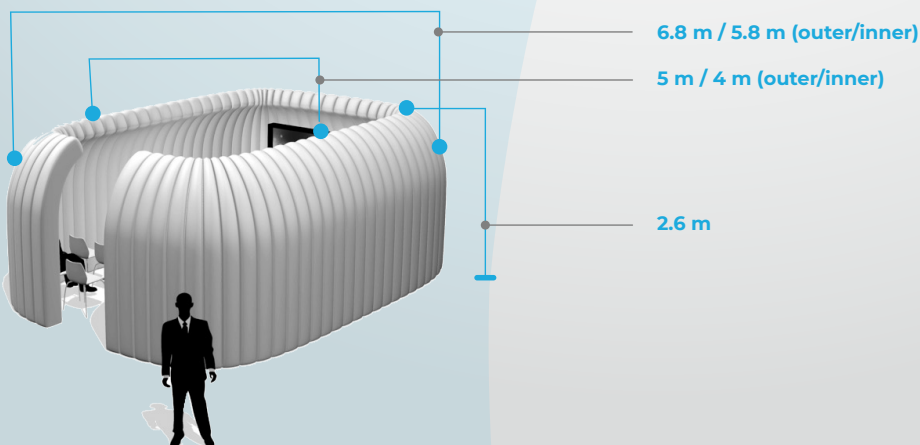
Theatre  
~28 chairs



Classroom  
~12 chairs



Banquet  
~16 chairs



# Product Enhancement

## ACOUSTICS AND QUIET AIRFLOW

This Office is optimized for acoustic properties, making them ideal for workshops and presentations or acoustic partitions, for example. In addition, this structure is equipped with an isolated blower system that is not audible.

## SUSTAINABILITY AND CIRCULARITY

With QuickSpace products, you don't create waste at your event. Our products are cleaned in an environmentally friendly way after use, making them new-worthy at every event. At the end of life, our products are processed into other products such as storage bags, contributing to a circular economy.

## LED LIGHTING

This structure can be illuminated in any color using LED modules, creating a unique ambiance. This can be set both statically and dynamically.

## QUICK INSTALLATION AND DISMANTLING

One of the benefits of QuickSpace products is the quick installation and dismantling. Hence, it is possible to install the structures at your convenient times, saving you costs and time. Our experienced teams will take care of the installation, disassembly and, if necessary, design of your event.

## FIRE SAFETY CERTIFICATES

All our structures have the most important fire safety certificates such as German B1, France M1 and American NFPA 701

## BRANDING

On request, this structure can be branded with your own branding, for example by theme colors, projection of logos or texts, or by means of TV screens or banners.



### Phone:

+31 6 41 67 57 07  
+31 6 12 98 62 31

### E-mail:

info@quickspace.eu

### QuickSpace B.V.

Lonnekerweg 298  
7532 RD Enschede  
Nederland



facebook.com/quickspace\_domes



instagram.com/quickspace\_eu

### Contact

#### Phone:

+49 176 55071328

#### E-mail:

info@quickspace.de

### QuickSpace Zeltsysteme GmbH

Buterlandstr. 89  
D-48599 Gronau  
Deutschland  
USt-ID: DE 322458558

quickspace.eu