



Engineered Blowers & Air Knife Solutions

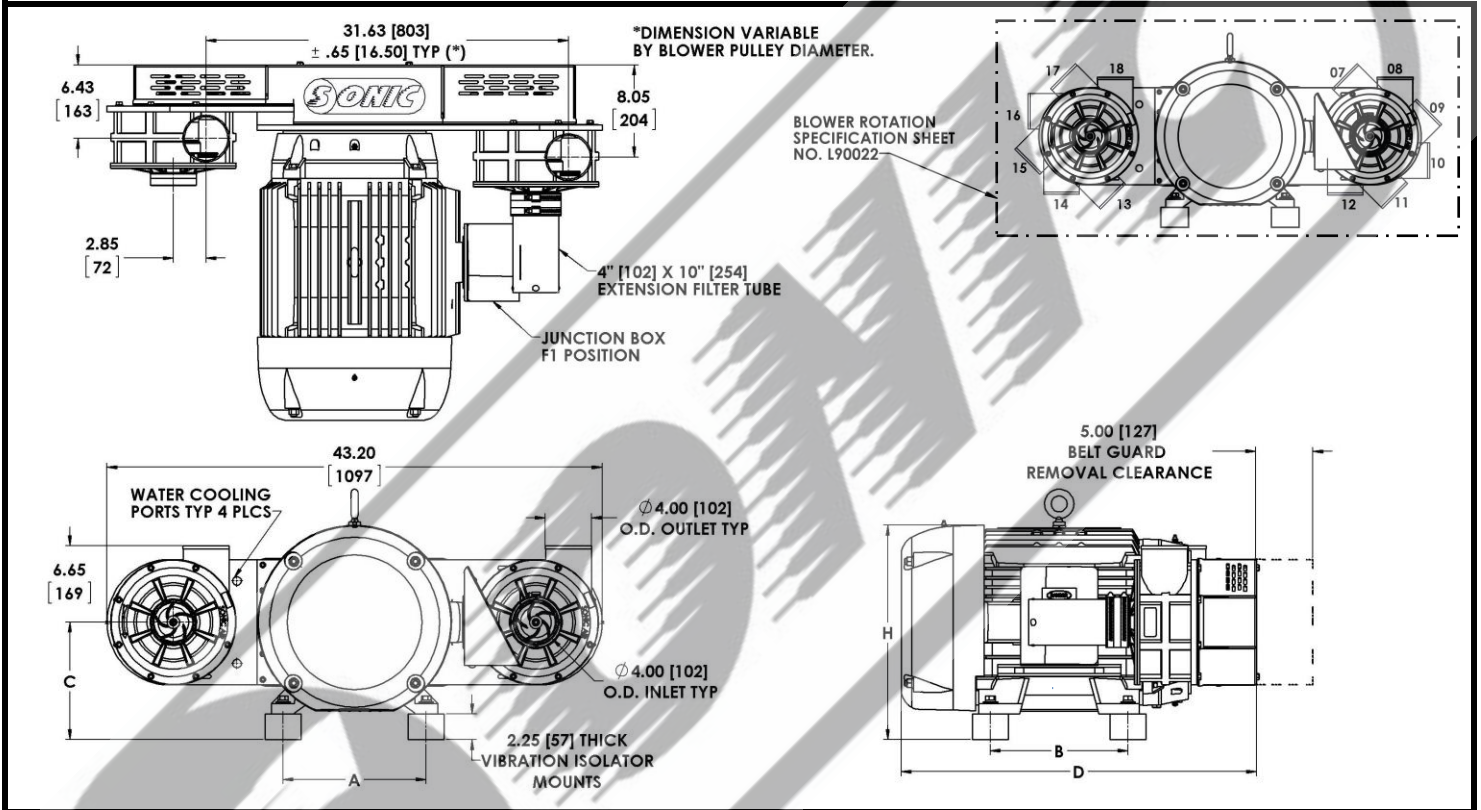
Product Specification Sheet

# SONIC 300

## CENTRIFUGAL BLOWER

### NEMA / BALDOR MOTORS

### 60 HZ, TEFC, 3600 RPM



Dimensions in Inches, [ ] are in millimeters

Model / Description	Sonic 300 / Air Cooled				Sonic 300 / Water Cooled			
Assembly Part Number	Sonic to Specify				Sonic to Specify			
Output Flow Rate	200 cfm to 2,400 cfm (340 m³/hr to 4,078 m³/hr)				200 cfm to 2,400 cfm (340 m³/hr to 4,078 m³/hr)			
Ambient Temp.	10°F to 105°F (-12°C to 40°C)				10°F to 105°F (-12°C to 40°C)			
Inlet Air Temp. Range	<125°F (52°C)				125°F to 400°F (52°C to 205°C)			
Motors / Frames	25 Hp /284	30 Hp /286	40 Hp/324	50 Hp/326	25 Hp /284	30 Hp /286	40 Hp/324	50 Hp/326
Depth (D)	27.34 (694mm)	29.01 (737mm)	30.91 (785mm)	30.91 (785mm)	27.34 (694mm)	29.01 (737mm)	30.91 (785mm)	30.91 (785mm)
Height (H)	15.60 (396mm)	16.51 (419mm)	18.69 (475mm)	18.69 (475mm)	15.60 (396mm)	16.51 (419mm)	18.69 (475mm)	18.69 (475mm)
Mounting Pattern (A)	11.00 (279mm)	11.00 (279mm)	12.50 (318mm)	12.50 (318mm)	11.00 (279mm)	11.00 (279mm)	12.50 (318mm)	12.50 (318mm)
Mounting Pattern (B)	11.00 (279mm)	11.00 (279mm)	12.00 (305mm)	12.00 (305mm)	11.00 (279mm)	11.00 (279mm)	12.00 (305mm)	12.00 (305mm)
Drive Center-Line (C)	9.13 (232mm)	9.13 (232mm)	10.25 (260mm)	10.25 (260mm)	9.13 (232mm)	9.13 (232mm)	10.25 (260mm)	10.25 (260mm)
Approximate Weight	436.5 lbs (198 Kg)	477 lbs (216 Kg)	628.5 lbs (285 Kg)	685.5 lbs (311 Kg)	436.5 lbs (198 Kg)	477 lbs (216 Kg)	628.5 lbs (285 Kg)	685.5 lbs (311 Kg)