



Engineered Blowers & Air Knife Solutions

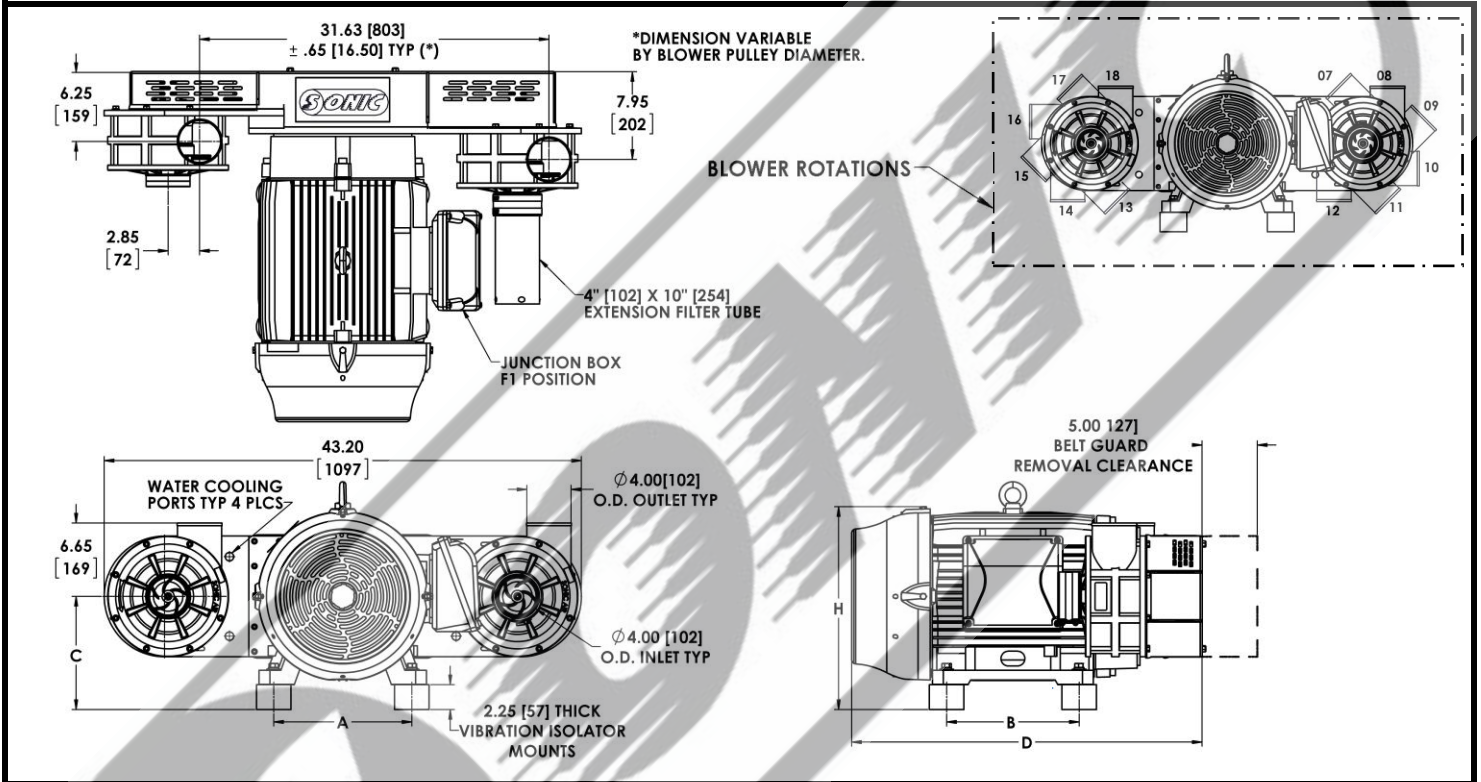
Product Specification Sheet

# SONIC 300

## CENTRIFUGAL BLOWER

### IEC / WEG MOTORS

### 50 HZ, 40/690VTEFC, 3000 RPM



Dimensions in Inches, [ ] are in millimeters

Model / Description	Sonic 300 / Air Cooled				Sonic 300 / Water Cooled			
Assembly Part Number	Call Sonic				Call Sonic			
Output Flow Rate	200 cfm to 2,400 cfm (340 m <sup>3</sup> /hr to 4,078 m <sup>3</sup> /hr)				200 cfm to 2,400 cfm (340 m <sup>3</sup> /hr to 4,078 m <sup>3</sup> /hr)			
Ambient Temp.	10°F to 105°F (-12°C to 40°C)				10°F to 105°F (-12°C to 40°C)			
Inlet Air Temp. Range	<125°F (52°C)				125°F to 400°F (52°C to 205°C)			
Motors / Frames	18 kW/ 160	22 kW/ 180	30 kW/ 200	37 kW/ 200	18 kW/ 160	22 kW/ 180	30 kW/ 200	37 kW/ 200
Depth (D)	27.67 (703mm)	29.17 (741mm)	30.23 (768mm)	31.72 (806mm)	27.67 (703mm)	29.17 (741mm)	30.23 (768mm)	31.72 (806mm)
Height (H)	16.42 (417mm)	16.13 (417mm)	18.38 (467mm)	18.38 (467mm)	16.42 (417mm)	16.13 (417mm)	18.38 (467mm)	18.38 (467mm)
Mounting Pattern (A)	11.00 (279mm)	11.00 (279mm)	12.50 (318mm)	12.50 (318mm)	11.00 (279mm)	11.00 (279mm)	12.50 (318mm)	12.50 (318mm)
Mounting Pattern (B)	9.50 (241mm)	11.00 (279mm)	10.50 (267mm)	12.00 (305mm)	9.50 (241mm)	11.00 (279mm)	10.50 (267mm)	12.00 (305mm)
Drive Center-Line (C)	9.13 (232m)	9.13 (232m)	10.25 (260mm)	10.25 (261mm)	9.13 (232m)	9.13 (232m)	10.25 (260mm)	10.25 (261mm)
Approximate Weight	415 lbs (188 Kg)	503 lbs (228 Kg)	653 (296 Kg)	742 lbs (336 Kg)	415 lbs (188 Kg)	503 lbs (228 Kg)	653 (296 Kg)	742 lbs (336 Kg)