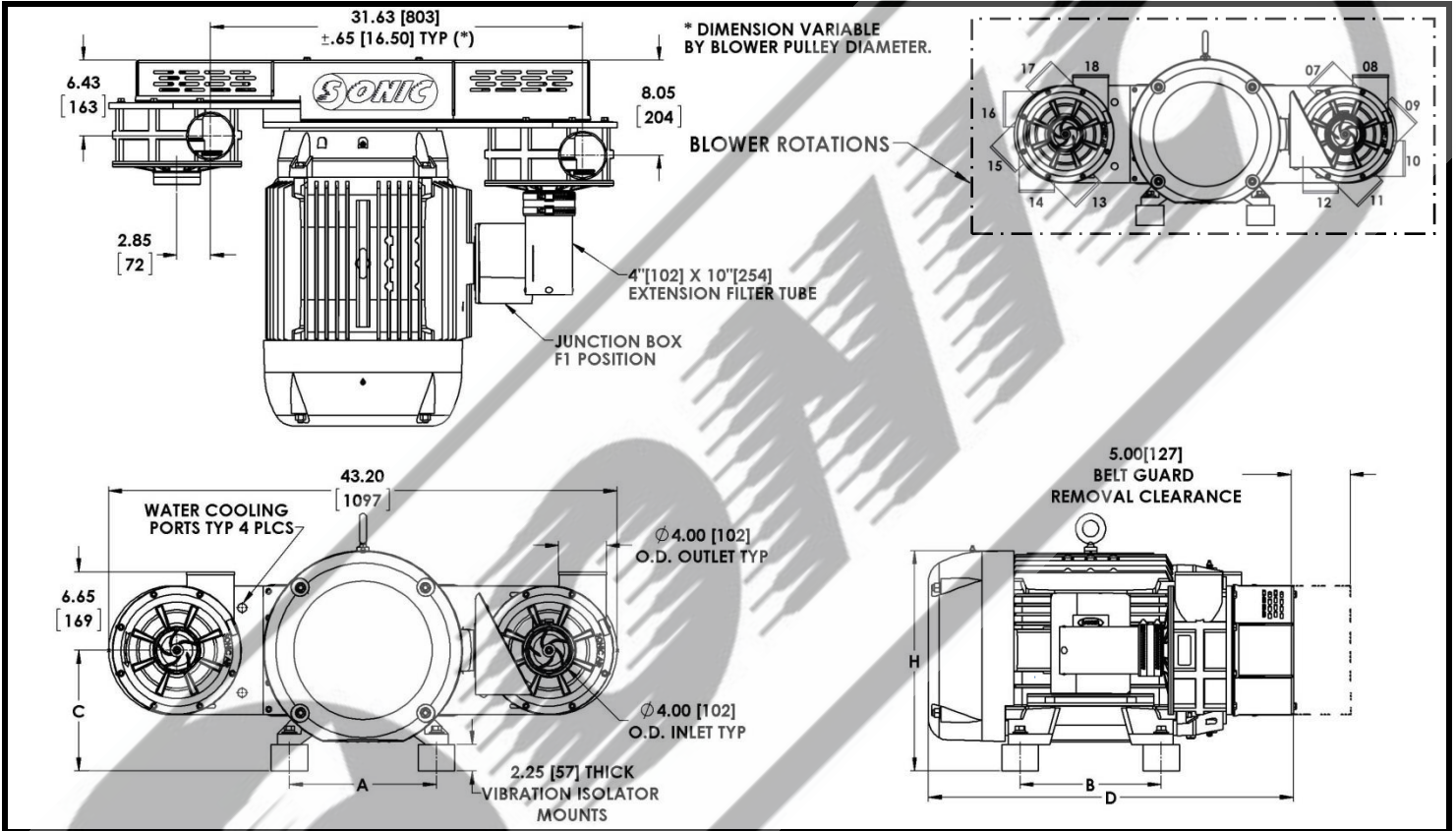




Engineered Blowers & Air Knife Solutions

Product Specification Sheet

**SONIC 200**  
**CENTRIFUGAL BLOWER**  
NEMA / BALDOR MOTORS  
60 HZ, TEFC, 3600 RPM



Dimensions in Inches, [ ] are in millimeters

Model / Description	Sonic 200 / Air Cooled			Sonic 200 / Water Cooled		
Assembly Part Number	Call Sonic			Call Sonic		
Output Flow Rate	200 cfm to 2,000 cfm (340 m <sup>3</sup> /hr to 3,398 m <sup>3</sup> /hr)			200 cfm to 2,000 cfm (340 m <sup>3</sup> /hr to 3,398 m <sup>3</sup> /hr)		
Ambient Temp.	10°F to 105°F (-12°C to 40°C)			10°F to 105°F (-12°C to 40°C)		
Inlet Air Temp. Range	<125°(52°C)			125°F to 400°F (52°C to 205°C)		
Motors / Frames	25 Hp / 284	30 Hp / 286	40 Hp / 324	25 Hp / 284	30 Hp / 286	40 Hp / 324
Depth (D)	27.34 (694mm)	29.01 (737mm)	30.91 (785mm)	27.34 (694mm)	29.01 (737mm)	30.91 (785mm)
Height (H)	15.60 (396mm)	16.51 (419mm)	18.69 (475mm)	15.60 (396mm)	16.51 (419mm)	18.69 (475mm)
Mounting Pattern (A)	11.00 (279mm)	11.00 (279mm)	12.50 (318mm)	11.00 (279mm)	11.00 (279mm)	12.50 (318mm)
Mounting Pattern (B)	11.00 (279mm)	11.00 (279mm)	12.00 (305mm)	11.00 (279mm)	11.00 (279mm)	12.00 (305mm)
Drive Center-Line (C)	9.13 (232mm)	9.13 (232mm)	10.25 (260mm)	9.13 (232mm)	9.13 (232mm)	10.25 (260mm)
Approximate Weight	436.5 lbs (198 Kg)	477 lbs (216 Kg)	628.5 lbs (285 Kg)	436.5 lbs (198 Kg)	477 lbs (216 Kg)	628.5 lbs (285 Kg)