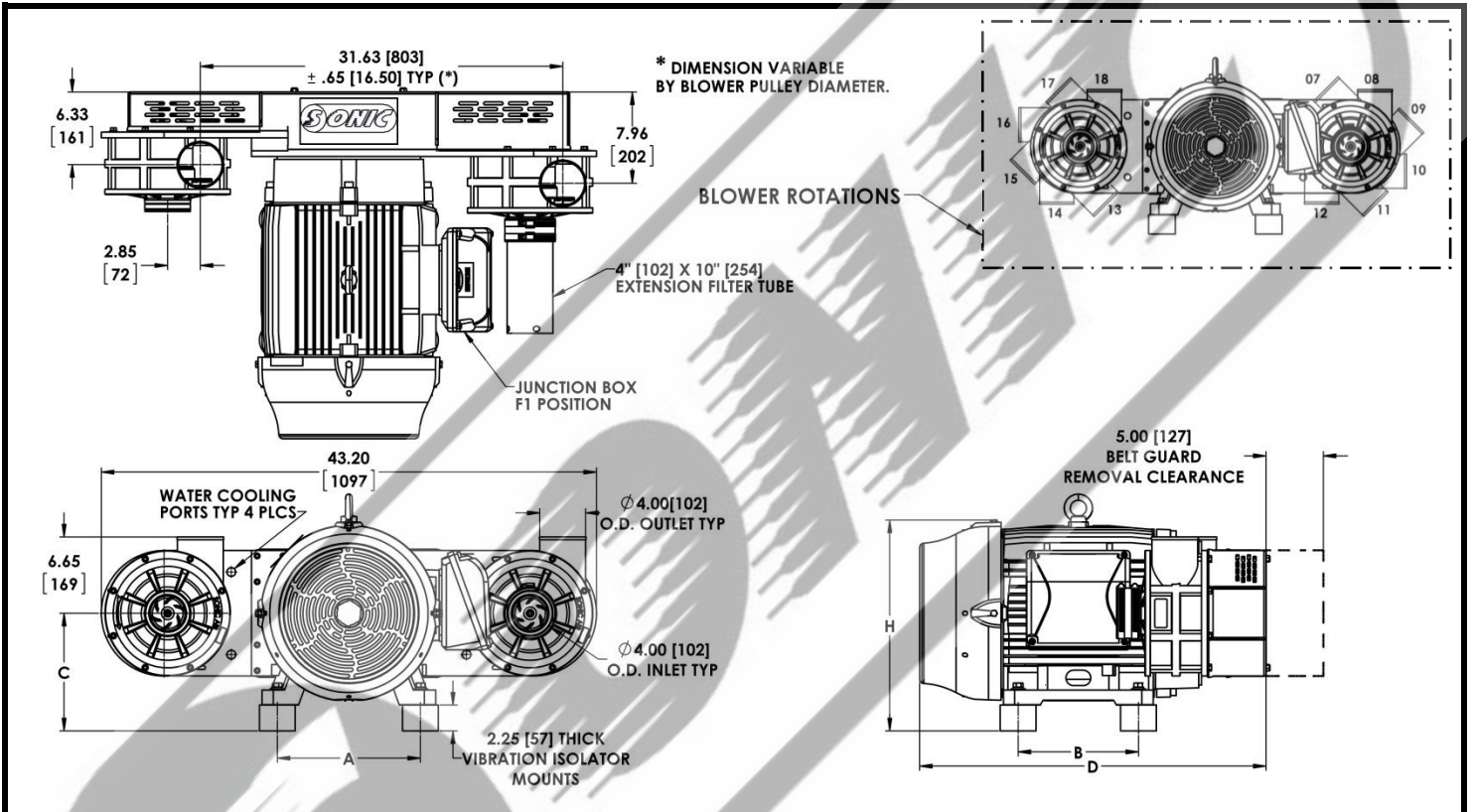




Engineered Blowers & Air Knife Solutions

Product Specification Sheet

SONIC 200
CENTRIFUGAL BLOWER
 IEC / WEG MOTORS
 50 HZ, 400/690V TEFC, 3000 RPM



Dimensions in Inches, [] are in millimeters

Model / Description	Sonic 200 / Air Cooled			Sonic 200 / Water Cooled		
Assembly Part Number	Call Sonic			Call Sonic		
Output Flow Rate	1,000 cfm to 2,000 cfm (1,700 m ³ /hr to 3398 m ³ /hr)			1,000 cfm to 2,000 cfm (1,700 m ³ /hr to 3398 m ³ /hr)		
Ambient Temp.	10°F to 105°F (-12°C to 40°C)			10°F to 105°F (-12°C to 40°C)		
Inlet Air Temp. Range	<125°F(52°C)			125°F to 400°F (52°C to 205°C)		
Motors / Frames	18 kW / 160	22 kW / 180	30 kW / 200	18 kW / 160	22 kW / 180	30 kW / 200
Depth (D)	27.67 (703mm)	29.17 (741mm)	30.23 (768mm)	27.67 (703mm)	29.17 (741mm)	30.23 (768mm)
Height (H)	16.42 (417mm)	16.13 (417mm)	18.38 (467mm)	16.42 (417mm)	16.13 (417mm)	18.38 (467mm)
Mounting Pattern (A)	11.00 (279mm)	11.00 (280mm)	12.50 (318mm)	11.00 (279mm)	11.00 (280mm)	12.50 (318mm)
Mounting Pattern (B)	9.50 (241mm)	11.00 (280mm)	10.50 (267mm)	9.50 (241mm)	11.00 (280mm)	10.50 (267mm)
Drive Center-Line (C)	9.13 (232mm)	9.13 (232mm)	10.25 (260mm)	9.13 (232mm)	9.13 (232mm)	10.25 (260mm)
Approximate Weight	418.5 lbs (190 Kg)	418.5 lbs (190 Kg)	497.5 lbs (226 Kg)	418.5 lbs (190 Kg)	418.5 lbs (190 Kg)	497.5 lbs (226 Kg)