



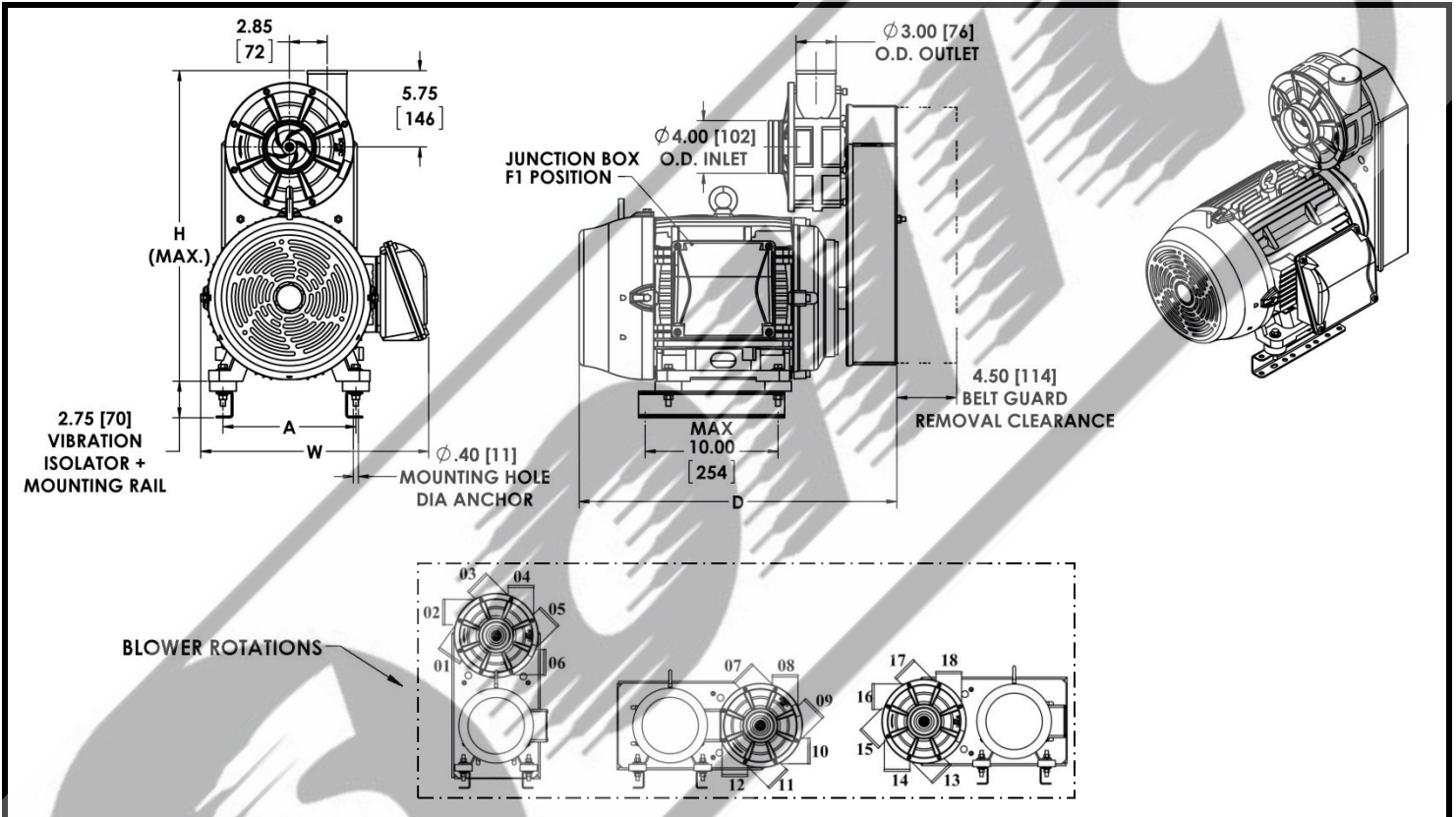
Engineered Blowers & Air Knife Solutions

Product Specification Sheet

# SONIC 85

## CENTRIFUGAL BLOWER

IEC / WEG MOTORS  
50 HZ, 400/690V TEFC, 3000 RPM



Dimensions in Inches, [ ] are in millimeters

Model / Description	Sonic 85 / Air Cooled		Sonic 85C / Water Cooled	
Assembly Part Number	Call Sonic		Call Sonic	
Output Flow Rate	85 cfm to 850 cfm (144 m <sup>3</sup> /hr to 1,445 m <sup>3</sup> /hr)		85 cfm to 850 cfm (144 m <sup>3</sup> /hr to 1,445 m <sup>3</sup> /hr)	
Ambient Temperature	32°F to 105°F (0°C to 40°C)		32°F to 105°F (0°C to 40°C)	
Inlet Air Temperature Range	32°F to 125°F (0°C to 52°C)		125°F to 400°F (52°C to 205°C)	
Motors / Frames	7.5 kW / 132	11 kW / 132	7.5 kW / 132	11 kW / 132
Width (W)	12.51 in [317mm]	13.54 in [343mm]	12.51 in [317mm]	13.54 in [343mm]
Depth (D)	20.57 in [522mm]	20.57 in [522mm]	20.57 in [522mm]	20.57 in [522mm]
Height (H)	24.13 in [613mm]	26.13 in [664mm]	24.13 in [613mm]	26.13 in [664mm]
Mounting Pattern (A)	8.50 in [216mm]	8.50 in [216mm]	8.50 in [216mm]	8.50 in [216mm]
Approximate Weight	223 lbs (101 Kg)	258 lbs (117 Kg)	223 lbs (101 Kg)	258 lbs (117 Kg)