



# HYDRO-LEK

## REMOTE HANDLING SPECIALISTS



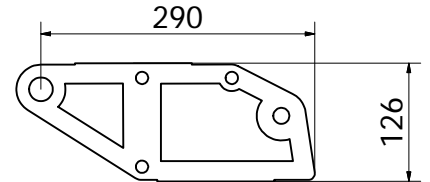
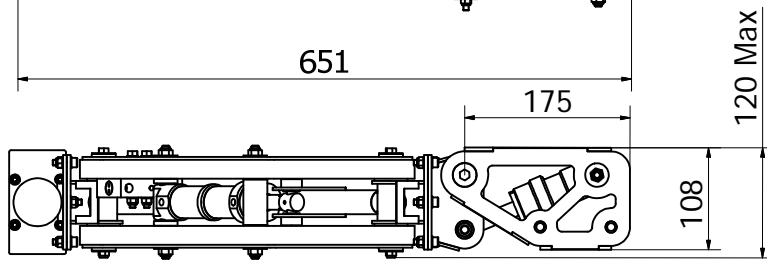
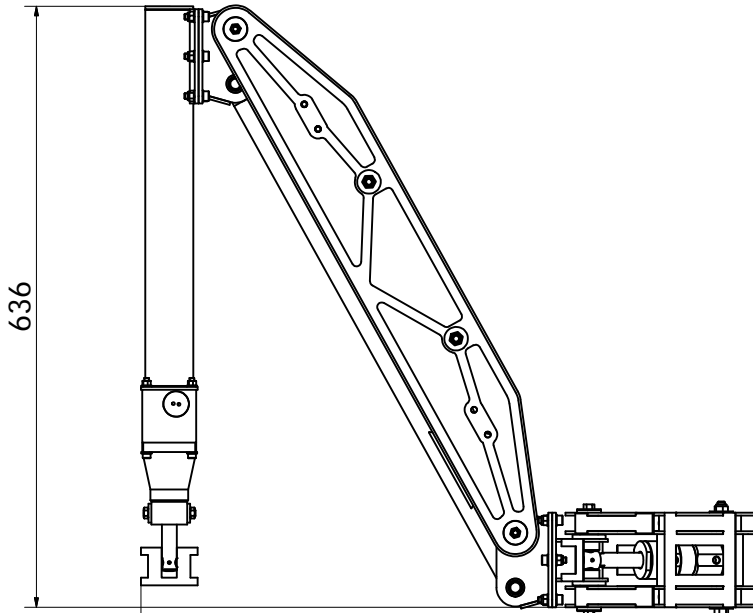
### HLK-46000 Camera Boom Arm With Mini Pan & Tilt:

The HLK-46000 Camera Boom Arm has been designed for pipeline inspection work. Using a pair of these arms, pipelines of up to 1metre can be easily inspected. Its unique design allows the camera mount to stay at the same angle through the entire 135° of angular movement of the arm, without any adjustment. The camera mount can be tilted through a 90° and rotated through 180°. The arm uses Hydro-Lek's standard HLK-11060 hydraulic cylinders and HLK-2100 Mini Pan & Tilt.

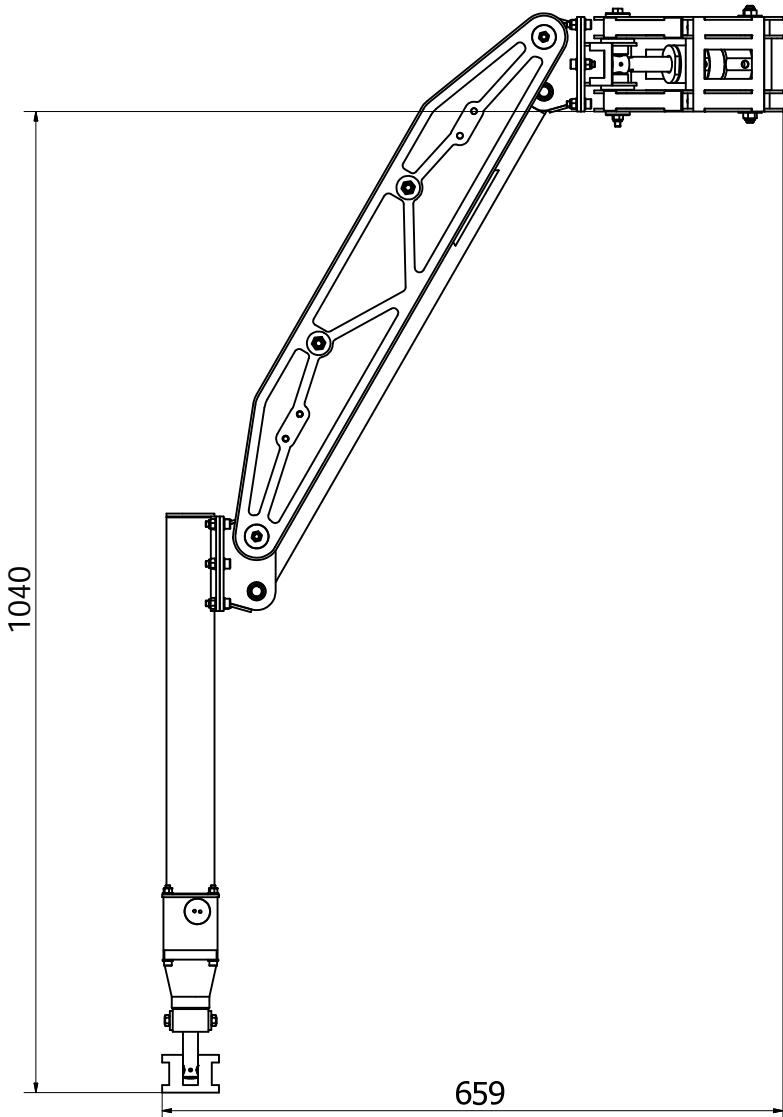
#### Specification:

<b>Dimensions</b>	<b>Length of arm (Extended)</b>	<b>1040 mm</b>
	<b>Height (Stowed)</b>	<b>636 mm</b>
	<b>Width</b>	<b>120 mm</b>
<b>Movement Range</b>	<b>Up / Down</b>	<b>65-0-70°</b>
	<b>Left / Right</b>	<b>0-30°</b>
	<b>(optional)</b>	<b>30-0-90°</b>
	<b>Camera Pan</b>	<b>180°</b>
<b>Weight</b>	<b>Tilt</b>	<b>90°</b>
	<b>Weight in air</b>	<b>13.7 Kg</b>
	<b>Weight in water</b>	<b>8.7 Kg</b>
<b>Construction</b>	<b>316 SS</b>	
	<b>HE 30 Hard Anodised Aluminium</b>	

Specification & dimensions subject to change without prior notification



Alternative Slew Mount  
from HLK-4600 Camera Boom Arm



**Specification**

**Movement Range**

ARM  
Up-Down 65° - 0 - 70°  
Left - Right 0 - 30°

CAMERA  
Tilt 0 - 90°  
Rotate 0 - 180°

**Weight**

In Air 13.7Kg  
In Water 8.7Kg

**Construction**

316 Stainless Steel  
Hard Black Anodised Aluminium  
Polyethylene

Designed by Alan Green	Checked by	Approved by	Date 14/04/2009	Date
Hydro-Lek Limited, Falcon House Falcon Business Park, Ivanhoe Road Hogwood Lane Industrial Estate Finchampstead, Berks. RG40 4QQ Tel: 0118 9736903 Fax: 0118 9736915			Camera Boom Arm Geometry	
HLK-46000 (Geometry)			Edition 0	Sheet 1 / 1