

Payload 4,000 kg: The Wacker Neuson All-Wheel Dumper 4001.

2,250 l*
SKIP CONTENT
*heaped,
standard skip



The All-Wheel Pro.

Shifting up to 4,000 kg payload quickly and efficiently and tipping out the material with spot-on precision using the swivel-tipping skip that is fitted as standard. Guaranteed to get things going on the building site.

The 4001s is styled for an even faster work rate for a slightly smaller payload.

What both have in common is their state-of-the-art technology: from the hydrostatic all-wheel drive through the all-terrain running gear to the time- saving maintenance.

More of a speedster: the 4001s Speed Version*.

- 25 kph.
- Maximum payload 3,500 kg.
- Swivel-tipping skip 1,900 l skip capacity (standard).
- Light materials skip 2,250 l skip capacity*.

* Option

The collapsible ROPS roll-bar not only guarantees driver safety but also enables passages with low headroom to be negotiated with ease.

In the hydrostatic all-wheel drive the traction motor is supplied with oil directly from the drive pump. Drive commands (such as "slower" or "faster") are directly transmitted to the machine with no transmission losses. A drive shaft transmits the drive directly to the axles. When the drive pedal is released, the brakes are automatically applied.

Wacker Neuson factors:

- Low-maintenance hydrostatic all-wheel drive.
- Swivel-tipping skip (standard).
- High ground clearance.
- High-volume, robust and hard-wearing skip design.
- Speeds of up to 21 kph for rapid transport tasks.
- Up to 2,250 l skip capacity (heaped) (standard skip).
- Maximum payload of 4,000 kg.

1 Swivel-tipping skip enables continuously variable tipping through a full 180°. Ideal in tight spaces for spot-on unloading of bulk material.

Light materials skip was specially introduced as an option for the Wacker Neuson 4001-Speed wheel dumper. The volume of this skip is approximately 18% greater than the standard skip, allowing it to carry so much more lightweight material.



2 High ground clearance which, in association with the hydrostatic all-wheel drive and centre-pivot steering, makes for excellent off-road capability.

3 Generous maintenance and servicing access. The one-piece engine hatch can be opened wide and offers unrestricted access to the engine space.

4 The tidy, robust cockpit extends over the full breadth of the chassis. It protects the driver from falling material.

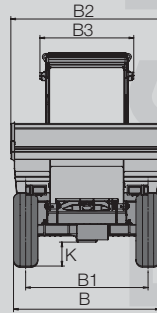
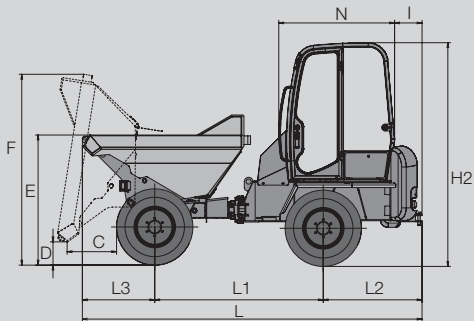
5 Integrated hose guide. The hoses are run through the articulated joint and thus protected from damage.

6 Centre-pivot steering. The split chassis and centre-pivot steering angle of 37°/15° guarantee permanent ground contact and optimal traction even on difficult terrain.

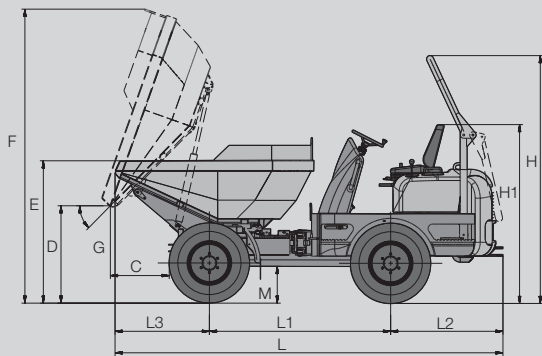
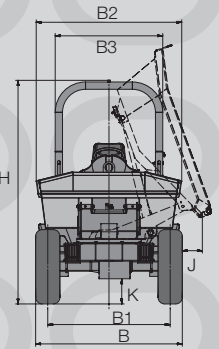


Technical Data:
A whole load
More Performance.

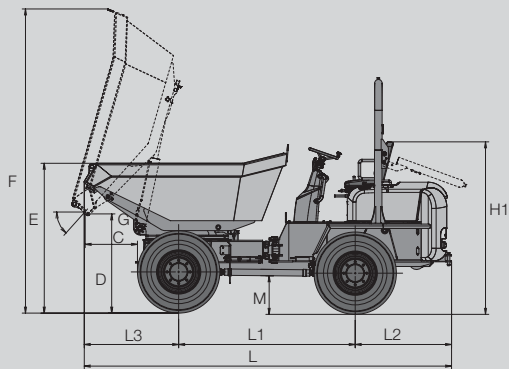
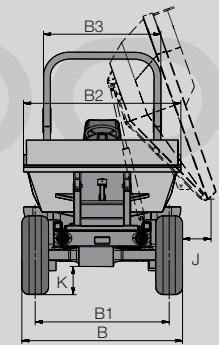




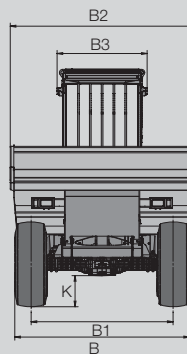
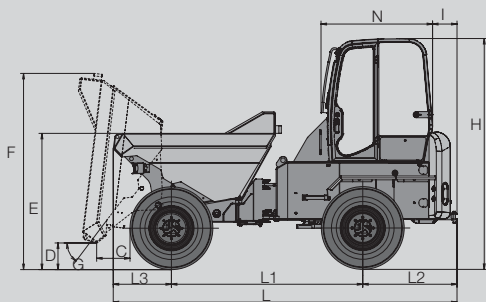
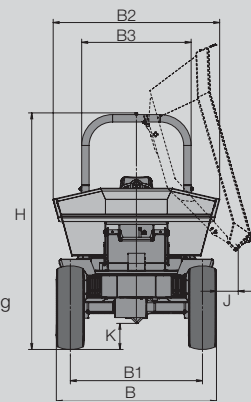
3001 Swivel-tipping >
< 3001 Front-tipping
(with cab)



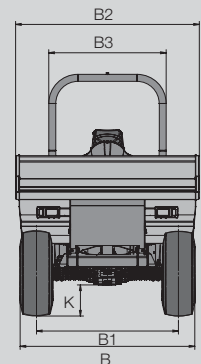
4001 Swivel-tipping

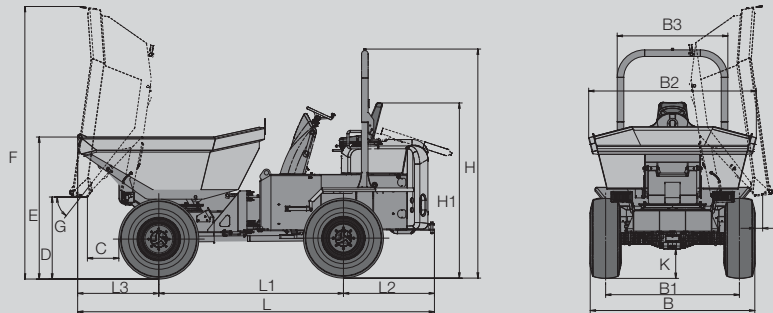


5001 Swivel-tipping



6001 Front-tipping >
< 6001 Front-tipping
(with cab)





6001s Front-tipping

DIMENSIONS	3001 (Front-Tipping)	3001 (Swivel-tipping)	4001 (Swivel-tipping)	4001 (Speed)	5001
B	1,785 mm	1,785 mm	1,795 mm	1,795 mm	1,920 mm
B1	1,490 mm	1,490 mm	1,480 mm	1,480 mm	1,580 mm
B2	1,860 mm	1,775 mm	1,740 mm	1,740 mm	1,990 mm
B3	1,310 (1,140**) mm	1,310 (1,140**) mm	1,300 mm	1,300 mm	1,310 mm
C	577 mm	600 mm	600 mm	600 mm	625 mm
D	260 mm	1,020 mm	1,030 mm	1,030 mm	1,160 mm
E	1,475 mm	1,475 mm	1,500 mm	1,500 mm	1,790 mm
F	2,220 mm	3,125*** (2,200***) mm	3,200 mm	3,200 mm	3,630 mm
G	46 °	46 °	46 °	46 °	48 °
H *	2,670 mm	2,670 mm	2,700 mm	2,700 mm	2,830 mm
H1*	1,870 mm	1,870 mm	1,930 mm	1,930 mm	2,030 mm
H2**	2,610 mm	2,610 mm	-	-	-
I**	320 mm	320 mm	-	-	-
J	-	245 mm	270 mm	270 mm	250 mm
K	280 mm	280 mm	300 mm	300 mm	290 mm
L	3,980 mm	4,140 mm	4,200 mm	4,200 mm	4,390 mm
L1	1,960 mm	1,960 mm	1,960 mm	1,960 mm	2,110 mm
L2	1,160 mm	1,160 mm	1,215 mm	1,215 mm	1,150 mm
L3	860 mm	1,020 mm	1,025 mm	1,025 mm	1,130 mm
N**	1,350 mm	1,350 mm	-	-	-

* with ROPS roll-bar

** with cab

*** skip with low tipping height

3001
4001
5001
6001

**6001
(Front-tipping)**

2,215 mm
1,800 mm
2,330 mm
1,490 (1140**) mm
433 mm
346 mm
1,771 mm
2,550 mm
53°
3,080 mm
2,300 mm
2,995 mm
320 mm
-
380 mm
4,470 mm
2,485 mm
1,225 mm
760 mm
1,450 mm

**6001s
(Swivel-tipping)**

2,215 mm
1,800 mm
2250 mm
1,490 (1140**) mm
420 mm
1,070 mm
1,900 mm
3,660 mm
52°
3,080 mm
2,300 mm
2,995 mm
320 mm
100 mm
380 mm
4,810 mm
2,485 mm
1,225 mm
1,100 mm
1,450 mm



**OPERATING-
DATA**

	3001 (Front-tipping)	3001 (Swivel-tipping)	4001 (Swivel-tipping)
Payload	3,000 kg	3,000 kg	4,000 kg
Tare weight	2,410 kg	2,550 kg	2,730 kg
Skip capacity levelled	1,500 l	1,300 l	1,650 l
Skip capacity heaped	1,850 l	1,750 l	2,230 l
Skip capacity water level	1,160 l	900 l	1,150 l



ENGINE

Make/Type	YANMAR 3TNV88	YANMAR 3TNV88	YANMAR 4TNV88
Model	watercooled 3-cylinder Diesel engine	watercooled 3-cylinder Diesel engine	watercooled 4-cylinder Diesel engine
Power (Iso 3046/1)	26kW (35 hp)	26 kW (35 hp)	34.1 kW (46,1 hp)
Displacement	1,642 cm ³	1,642 cm ³	2,189 cm ³
Operating speed	2,800 min ⁻¹	2,800 min ⁻¹	2,800 min ⁻¹
Exhaust emissions	ac. 97/68/EC, 3A	ac. 97/68/EC, 3A	ac. 97/68/EC, 3A



**DRIVE
CHARACTERISTICS**

Drive speed	0-7 kph/0-22kph	0-7kph/0-25kph	0-7kph/0-25kph
Centre-pivot angle	+/-37°	+/- 37°	+/- 37°
Oscillation	+/-15°	+/- 15°	+/- 15°
Turning radius outside	3,650 mm	3,650 mm	3,730 mm
Max. grade- ability	50 %	50 %	50 %



DRIVE

Drive	hydrostatic automotive, drive via PTO gear to axles, electric drive direction		
Steering	hydrostatic articulated frame steering		
Tyres	11.50/80-15.3 Tractor profile	11.50/80-15.3 Tractor profile	11.50/80-15.3 Tractor profile
Service brake	via multi-disc brake in oil bath in front axle, hydraulically operated		
Parking brake	via multi-disc brake in oil bath in front axle, hydraulically operated		



**HYDRAULICS
SYSTEM**

Drive pump	Axial piston pump	Axial piston pump	Axial piston pump
Flow rate	126 l/min	126 l/min	112 l/min
Operating pressure	360 bar	360 bar	420 bar
Work pump	Gear pump	Gear pump	Gear pump
Flow rate	45 l/min	45 l/min	45 l/min
Operating pressure	220 bar	220 bar	175 bar



TANK CAPACITY

Diesel tank	40 l	40 l	40 l
Hydraulic oil tank	48 l	48 l	48 l



ELECTRICS

Voltage	12 V	12 V	12 V
Battery	88 Ah	88 Ah	88 Ah
Alternator	40 A	40 A	40 A
Starter	1.7 kW	1.7 kW	2.0 kW



NOISE LEVELS

Noise LWA (acc. 2000/14/EC)	101 dB(A)	101 dB(A)	101 dB(A)
----------------------------------------	-----------	-----------	-----------

* Power Version

4001 (Swivel-tipping)	4001 (Speed)	5001	6001 (Front tipping)	6001 (Cab)	6001s (Swivel-tipping)	6001s (Cab)
4,000 kg	3,500 kg	5,000 kg	6,000 kg	6,000 kg	6,000 kg	6,000 kg
2,730 kg	2,640 kg	3,220 kg	4,320 kg	4,520 kg	4,240 (4,450*) kg	4,440 kg
1,650 l	1,400 l	2,000 l	2,400 l	2,400 l	2,400 l	2,400 l
2,230 l	1,900 l	2,700 l	3,200 l	3,200 l	3,200 l	3,200 l
1,150 l	1,130 l	1,400 l	1,880 l	1,880 l	1,880 l	1,880 l
YANMAR 4TNV88	YANMAR 4TNV88	DEUTZ D2011	Deutz TD2011	Deutz TD2011	Deutz TD2011 (Deutz TCD2012*)	Deutz TD2011
watercooled 4-cylinder Diesel engine	watercooled 4-cylinder	watercooled 4-cylinder Diesel engine	watercooled 4-cylinder	watercooled 4-cylinder Diesel engine	watercooled 4-cylinder	watercooled 4-cylinder
34.1 kW (46,1 hp)	34.1 kW (46,1 hp)	64.6 kW (87.8 hp)	64.6 kW (87.8 hp)	64.6 kW	64.6 kW (87.8 hp) (84 kW (115 hp)*)	64.6 kW (87.8 hp)
2,189 cm ³	2,189 cm ³	3,619 cm ³	3,619 cm ³	3,619 cm ³	3,619 (4,038*) cm ³	3,619 cm ³
2,800 min ⁻¹	2,800 min ⁻¹	2,600 min ⁻¹	2,600 min ⁻¹	2,600 min ⁻¹	2,600 (2,220*) min ⁻¹	2,600 min ⁻¹
ac. 97/68/EC, 3A	ac. 97/68/EC, 3A	ac. 97/68/EC, 3A	ac. 97/68/EC, 3A step 3a (EPA Tier 3)	ac. 97/68/EC, 3A step 3a (EPA Tier 3)	ac. 97/68/EC, 3A	ac. 97/68/EC, 3A
0–7kph/0–25kph	0–8kph/0–25kph	0–8kph/0–25kph	0–5kph/0–25kph	0–5kph/0–25kph	0–5kph/0–25kph	0–5kph/0–25kph
+/- 37°	+/- 37°	+/- 37°	+/- 33°	+/- 33°	+/- 33°	+/- 33°
+/- 15°	+/- 15°	+/- 15°	+/- 10,5°	+/- 10,5°	+/- 10,5°	+/- 10,5°
3,730 mm	3,730 mm	4,425 mm	5,200 mm	5,200 mm	5,200 mm	5,200 mm
50 %	50 %	50 %	50 %	50 %	50 %	50 %
axles, electric drive direction selection						
11.50/80-15.3 Tractor profile	11.50/80-15.3 Tractor profile	12.5/80-18 Tractor profile	405/70-20; 14 Ply Tractor profile	405/70-20; 14 Ply Tractor profile	405/70-20; Tractor profile	405/70-20; Tractor profile
hydraulically operated						
hydraulically operated						
Axial piston pump	Axial piston pump	Axial piston pump	Axial piston pump	Axial piston pump	Axial piston pump	Axial piston pump
112 l/min	112 l/min	145 l/min	184 l/min	184 l/min	184 (192*) l/min	184 l/min
420 bar	420 bar	420 bar	420 bar	420 bar	420 (480*) bar	420 bar
Gear pump	Gear pump	Gear pump	Gear pump	Gear pump	Gear pump	Gear pump
45 l/min	45 l/min	42 l/min	57 l/min	57 l/min	57 (52*) l/min	57 l/min
175 bar	175 bar	220 bar	220 bar	220 bar	220 bar	220 bar
40 l	40 l	40 l	70 l	70 l	70 l	70 l
48 l	40 l	48 l	70 l	70 l	70 l	70 l
12 V	12 V	12 V	12 V	12 V	12 V	12 V
88 Ah	88 Ah	88 Ah	100 Ah	100 Ah	100 Ah	100 Ah
40 A	40 A	40 A	55 A	55 A	55 (95*) A	55 A
2.0 kW	2.1 kW	2.3 kW	2.3 kW	2.3 kW	2.3 kW	2.3 kW
101 dB(A)	101 dB(A)	101 dB(A)	102 dB(A)	102 dB(A)	102 (103*) dB(A)	102 dB(A)

OPTIONS**3001**

- CAB
 - ROPS / FOPS Level II**
- HYDRAULICS
 - Panolin Bio-Oil
 - BP-Biohyd SE46
- PAINT
 - Special paint 1 RAL**
(for yellow parts only)
 - Special paint 1 no RAL**
(for yellow parts only)
- MISCELLANEOUS
 - Security 24 (1,500 h)**
Warranty extension to 24 months or 1,500 operating hours
 - Security 24 (2,000 h)**
Warranty extension to 24 months or 2,000 operation hours
 - Cover for dashboard**
 - Lighting**
 - Trailer socket**
 - Flashing beacon**
 - Reverse alarm**
 - Spare wheel**
 - Asphalt skip**
 - Swivel skip**
 - Wheel chock**
- PACKS
 - Mirror package**

OPTIONS**4001**

- HYDRAULICS
 - Panolin Bio-Oil
 - BP-Biohyd SE46
- PAINT
 - Special paint 1 RAL**
(for yellow parts only)
 - Special paint 1 no RAL**
(for yellow parts only)
- MISCELLANEOUS
 - 25 kph Version**
 - Security 24 (1,500 h)**
Warranty extension to 24 months or 1,500 operating hours
 - Security 24 (2,000 h)**
Warranty extension to 24 months or 2,000 operation hours
 - Cover for dashboard**
 - Lighting**
 - Trailer socket**
 - TÜV road homologation (Germany)**
 - Flashing beacon**
 - Reverse alarm**
 - Spare wheel**
 - Wheel chock**
- PACKS
 - Mirror package**

OPTIONS**5001**

- HYDRAULICS
 - Panolin Bio-Oil
 - BP-Biohyd SE46
- PAINT
 - Special paint 1 RAL**
(for yellow parts only)
 - Special paint 1 no RAL**
(for yellow parts only)
- MISCELLANEOUS
 - Security 24 (1,500 h)**
Warranty extension to 24 months or 1,500 operating hours
 - Security 24 (2,000 h)**
Warranty extension to 24 months or 2,000 operation hours
 - Cover for dashboard**
 - Lighting**
 - Trailer socket**
 - TÜV road homologation (Germany)**
 - Flashing beacon**
 - Reverse alarm**
 - Spare wheel**
 - Wheel chock**
- PACKS
 - Mirror package**

OPTIONS**6001**

- CAB
 - ROPS / FOPS Level II**
- POWER VERSION HYDRAULICS
 - Panolin Bio-Oil
 - BP-Biohyd SE46
- PAINT
 - Special paint 1 RAL**
(for yellow parts only)
 - Special paint 1 no RAL**
(for yellow parts only)
- MISCELLANEOUS
 - Security 24 (1,500 h)**
Warranty extension to 24 months or 1,500 operating hours
 - Security 24 (2,000 h)**
Warranty extension to 24 months or 2,000 operation hours
 - Cover for dashboard**
 - Lighting**
 - Trailer socket**
 - TÜV road homologation (Germany)**
 - Flashing beacon**
 - Reverse alarm**
 - Spare wheel**
 - Wheel chock**
 - Swivel skip**
- PACKS
 - Mirror package**