

DCC-010

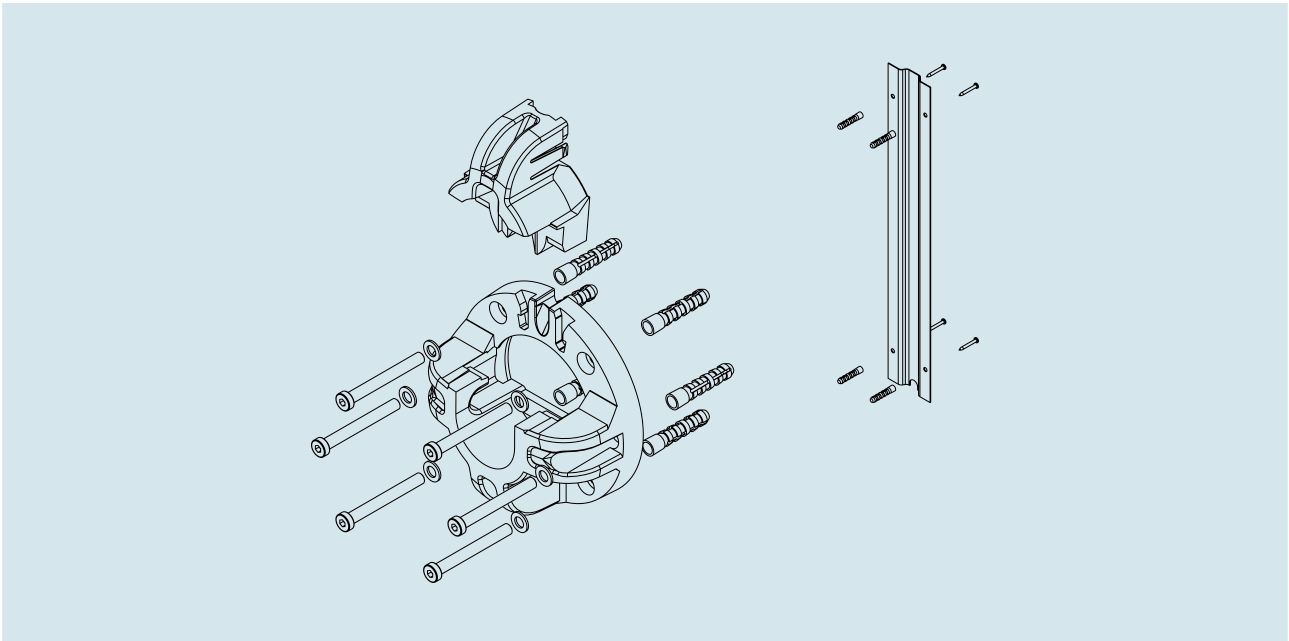


CHARACTERISTICS

- Retrofit solution for concrete pools without liner
- Stainless steel 316L cable guide
- Advanced ball joint system
- Materials made of high-quality polymer or stainless steel 316
- Installation material included

ADVANTAGES

- Easy retrofit installation
- Robust and durable
- Unique advantages thanks to ball joint system
 - Installation possible by 1 person
 - Extendable, easy access to motor
 - Accommodates tolerances
- Compatible with salt electrolysis



TECHNICAL SPECIFICATIONS

CHARACTERISTICS	UNIT	DCC-010
Content of package		
Wall pieces		✓
Cable guide		✓
Bolts and plugs		✓
Ball joint system		✓
Key switch, flush- and surface-mounted version		✓
5 straps and plugs		✓
Connecting box with sealing fluid		✓
Cable guide material		RVS 316L
Cable guide dimensions (W*H*T)	mm	80*520*10
Shipping dimensions (L*W*H)	mm	780*380*200
Shipping weight	kg	8,8
Warranty	year	2

TO COMBINE WITH

TELESCOPIC TUBE	MOTOR	CONTROL UNIT
COVER Tube p. 72	COVER Motor p. 74	LINK Cover p. 92
		LINK Master p. 94