

## LED SOLAR SECURITY LIGHT

### SPEC SHEET



Catalog No. : SDAY50-MS-5K-BK

Type : Security Light

Project Name :

Location :

Qty :

Date :

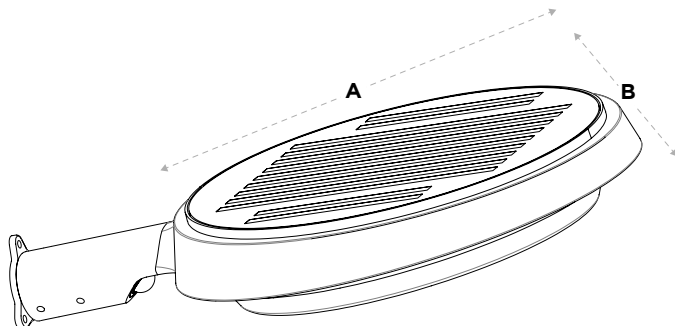
### Product Features

PROBRITE's LED Outdoor Solar Security Light, delivers an unparalleled brightness while prioritizing sustainability. This efficient lighting solution merges radiant illumination with a 50-watt energy-saving design and intelligent battery management. With a rapid 8-hours full charging time powered by a dependable monocrystalline solar panel, enjoy uninterrupted lighting all night. It's ideal for garages, pathways, entryways parking lots and more. The full-function 5-mode remote control ensures precise brightness control and complemented by PIR sensor with photocell for added security. All Weather-resistant and backed by PROBRITE's limited 3-year warranty, guarantees years of reliable performance and trust.

### Ordering guide

Prefix		Lumens		Motion Sensor		Color Temperature		Finish	
SDAY		50				5K		BK	
SDAY	LED Solar Security Light	45	4500lm	MS	Motion sensor	3K	3000K	BK	Black
						4K	4000K	WH	White
						5K	5000K	BZ	Bronze

## PRODUCT DIMENSIONS



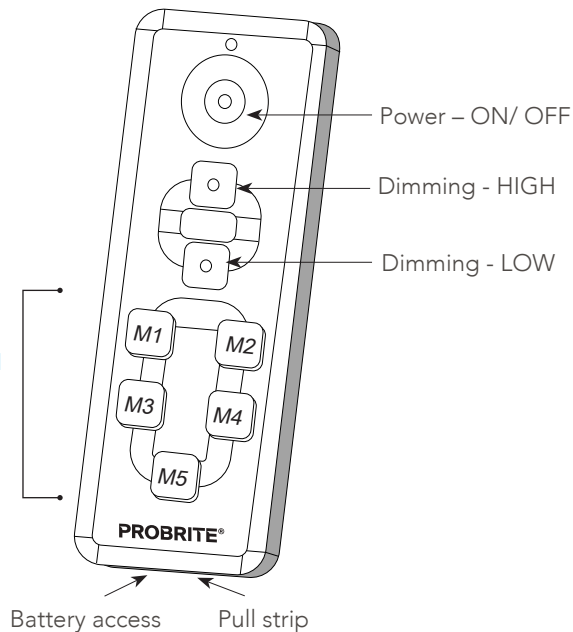
SDAY50-MS-5K-BK	
A	20.6 in
B	14.9 in
C	3.6 in

PRODUCT SPECIFICATION	
<b>Product name</b>	LED Solar Security Light
<b>Product Model</b>	110-003000001-1 - SDAY50-MS-5K-BK
<b>Power</b>	45W (MAX)
<b>Lumen</b>	4500LM±10%
<b>Efficacy</b>	100 LM/W
<b>CCT/K</b>	5000K
<b>CRI</b>	70
<b>LED</b>	2835*136 PCS
<b>Operating Temp (Fixture)</b>	-20°C (-4°F) - 40°C (104°F)
<b>Housing Material</b>	Aluminium + PC + Metal
<b>Lens</b>	Clear Prismatic
<b>Sensor</b>	PIR Sensor with Photocell
<b>Product size</b>	20.6 x 14.9 x 3.6 in
<b>Battery Specification</b>	9.6V/9AH 32700*3
<b>Full Charging Time</b>	8 Hours
<b>Battery Material</b>	Lithium iron Phosphate
<b>Battery Operating Temp.</b>	0°C (32°F)-40°C (104°F) (while charging) -20°C(-4°F) - 40°C (104°F) (while discharging)
<b>Battery Lifetime</b>	>1000 Cycles
<b>Specification of solar panel</b>	15V/0.7A 10.5W
<b>Discharge current</b>	45W (MAX)
<b>Dimmable</b>	20% / 40% / 60% / 80% / 100%
<b>Function</b>	<b>Remote control functions:</b> ON/OFF, Automatic, 4H,6H,8H,10H, Dimming and other control modes
<b>IP Rating</b>	IP65
<b>Installation Height</b>	10-14 ft
<b>Lifespan</b>	25,000 Hours

### REMOTE CONTROL OPERATION

#### MODES OF OPERATION

(Operate at maximum of 25ft from the fixture)

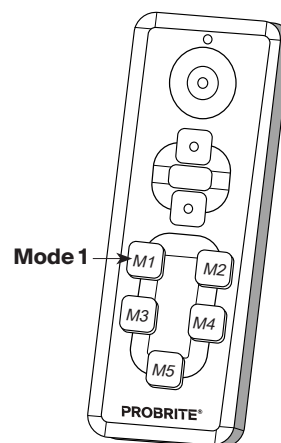


### SELECT MODE WITH REMOTE CONTROL

#### OPTION 1: 4 HOURS MODE (M1)

4 HOURS MODE enables the light fixture to turn ON for 4 hours at 450 lumens ambient light. Upon motion detection, light emits 4500 lumens for security lighting.

- Once this mode is selected it will remain in the current mode until the fixture is manually turned off through the remote control.
- Dimming will be proportionate to the lumens (450) in the selected mode, until the fixture is manually turned off or a new mode has been selected.

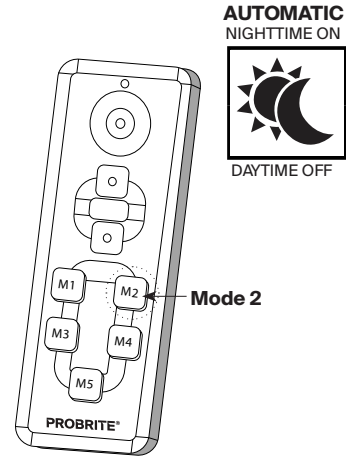


### OPERATION (CONTINUED)

#### OPTION 2: ALL-NIGHT MODE (M2)

ALL-NIGHT MODE enables the light fixture to turn on for first 4 hours at 315 lumens, followed by 8 hours at 90 lumens for lighting through out the night. Upon motion detection, light emits 2925 lumens.

- ❑ Once this mode is selected, it will remain in the current mode until the fixture is manually turned off through the remote control.
- ❑ Dimming will be proportionate to the lumens (315, 90) in the selected mode, until the fixture is manually turned off or a new mode has been selected.

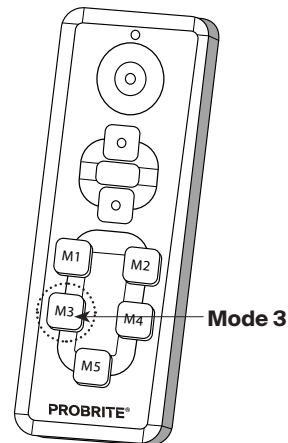


### OPERATION (CONTINUED)

#### OPTION 3: 4 ENERGY-SAVING MODE (M3)

ENERGY-SAVING MODE enables the light fixture to turn on for first 4 hours at 270 lumens, followed by 10 hours at 90 lumens to conserve the battery. Upon motion detection, light emits 2025 lumens.

- ❑ Once this mode is selected, it will remain in the current mode until the fixture is manually turned off through the remote control.
- ❑ Dimming will be proportionate to the lumens (270, 90) in the selected mode, until the fixture is manually turned off or a new mode has been selected.



## OPERATION

### OPERATION (CONTINUED)

#### OPTION 4: MOTION-ONLY MODE (M4)

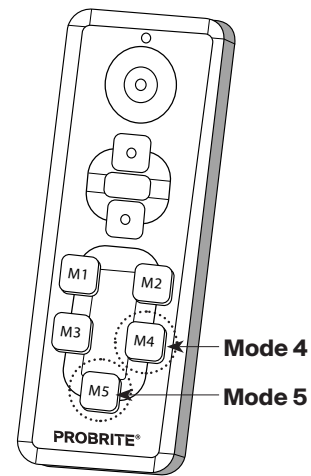
MOTION-ONLY MODE enables the light fixture to turn on ONLY when motion is detected. Upon motion detection, light emits 4500 lumens for maximum security lighting

- Once this mode is selected, it will remain in the current mode until the fixture is manually turned off through the remote control.
- Dimming is unavailable in this mode.

#### OPTION 5: OCCUPANCY MODE (M5)

OCCUPANCY MODE enables the light fixture to turn on ONLY when motion is detected:

- 1st trigger: 2800 lumens for 20 seconds
- 2nd trigger: 1800 lumens for 30 minutes
- 3rd trigger: 920 lumens for 4 hours
- Once this mode is selected, it will remain in the current mode until the fixture is manually turned off through the remote control.
- Dimming is unavailable in this mode.



## 2. MANUAL OPERATION

#### ON-FIXTURE CONTROLS:

MOTION-ONLY MODE enables the light fixture to turn on ONLY when motion is detected. Upon motion detection, light emits 4500 lumens for maximum security lighting

- Power - depress button on right of motion sensor for ON/OFF operation.
- Depress button on left of motion sensor for Mode. Continue pressing button until desired Mode is achieved

