



## PERFORMANCE FEATURES

### UL Listing

Suitable for wet locations

### LEDs:

Lumileds 2835, high CRI.

### Lifespan:

Energy saving, long lifespan

### Housing

Diecast Aluminum housing

### Diffuser

Polycarbonate

### Optional Accessories

- Motion microwave Sensor
- Motion PIR Sensor
- Surge-protective Device

### Finish

Long lasting dark bronze finish with high durability

### Dimming Driver:

Driver Brand: CBD (0-10V dimming)  
 Driver Model: HB-PM100W-450V  
 Surge Protection: L/N-PE: 6kV, L-N: 6kV  
 Dimming: 0-10V dimming standard

### Ambient Operating Temp.

-30°C (-22°F) to 50°C (122°F)

### Flicker Percent

<10%

### Application

Warehouse, factory and workshops, Gymnasiums and exhibition hall, supermarkets.

### IESNA LM-79 & IESNA LM-80 Testing:

LED luminaires have been tested based on IESNA LM-79 and LM-80 by a third-party laboratory

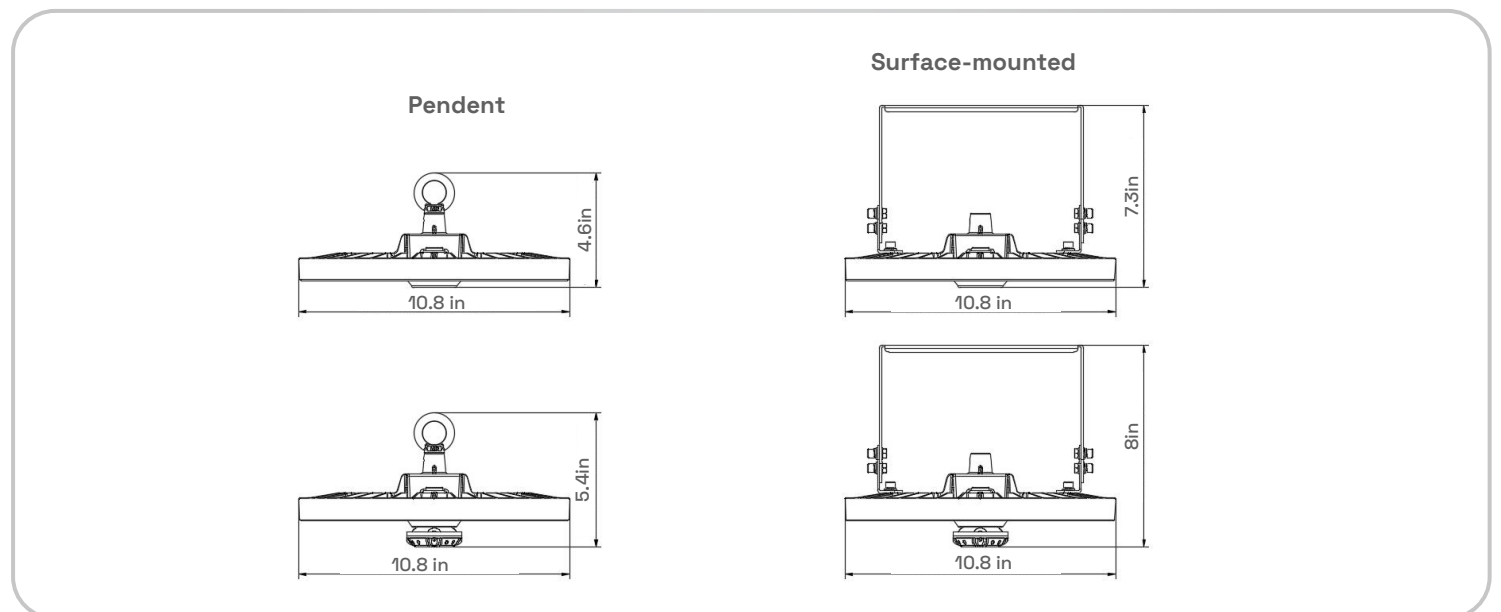
## SKU GUIDE

Model Section		UFOS-100W-50K-DV2-90-BZHM						
UFOS		100W	40K	DV2		90	BZHM	
BODY TYPE PREFIX	MODEL NAME	WATTAGE	CCT (if selectable = CCT)	DRIVER	VOLTAGE	ELECTRICAL OPTIC/LENS	HOUSING FINISH	MOUNTING
UFO	S - Small M - Medium L - Large	100W 150W 200W 240W	40K=4000K 50K= 5000K	D - 0-10V Dimming	V2 - 120-277V (Universal Voltage)	90- Beam angle	BZ-Dark Bronze Finish	HM - Hanging Mount

## SKU SPECIFICATION

SKU #	Nominal Wattage	CCT	Lumens	Efficacy (LPW)	CRI	Input Voltage	Operating Temp.	Certifications	Avail Options
UFOS-100W-50K-DV2-NA-90-BZHM	100W	5000K	14500	145	>80	120-277V	-30°C (-22°F) to 50°C (122°F)	UL listed	Sensors, EM battery
UFOS-100W-40K-DV2-NA-90-BZHM	100W	4000K	14500	145	>80	120-277V	-30°C (-22°F) to 50°C (122°F)	UL listed	Sensors, EM battery
UFOM-150W-50K-DV2-NA-90-BZHM	150W	5000K	21750	145	>80	120-277V	-30°C (-22°F) to 50°C (122°F)	UL listed	Sensors, EM battery
UFOM-150W-40K-DV2-NA-90-BZHM	150W	4000K	21750	145	>80	120-277V	-30°C (-22°F) to 50°C (122°F)	UL listed	Sensors, EM battery
UFOL-200W-50K-DV2-NA-90-BZHM	200W	5000K	29000	145	>80	120-277V	-30°C (-22°F) to 50°C (122°F)	UL listed	Sensors, EM battery
UFOL-200W-40K-DV2-NA-90-BZHM	200W	4000K	29000	145	>80	120-277V	-30°C (-22°F) to 50°C (122°F)	UL listed	Sensors, EM battery
UFOX-240W-50K-DV2-NA-90-BZHM	240W	5000K	34800	145	>80	120-277V	-30°C (-22°F) to 50°C (122°F)	UL listed	Sensors, EM battery
UFOX-240W-40K-DV2-NA-90-BZHM	240W	4000K	34800	145	>80	120-277V	-30°C (-22°F) to 50°C (122°F)	UL listed	Sensors, EM battery

## PRODUCT DIMENSIONS



## PACKAGING DIMENSIONS

SKU #	Standard Pack	Dimension	Master Pack	Dimension
UFOS-100W-50K-DV2-NA-90-BZHM	1 Pack	L 11in x W 11in x H 3.5in	4 Pack	L 15.7in x W 11.6in x H 11.6in
UFOM-150W-50K-DV2-NA-90-BZHM	1 Pack	L 11in x W 11in x H 3.5in	4 Pack	L 15.7in x W 11.6in x H 11.6in
UFOL-200W-50K-DV2-NA-90-BZHM	1 Pack	L 11in x W 11in x H 3.5in	4 Pack	L 15.7in x W 11.6in x H 11.6in
UFXL-240W-50K-DV2-NA-90-BZHM	1 Pack	L 11in x W 11in x H 3.5in	4 Pack	L 15.7in x W 11.6in x H 11.6in

## ACCESSORIES



Microwave Sensor



Safety Cable



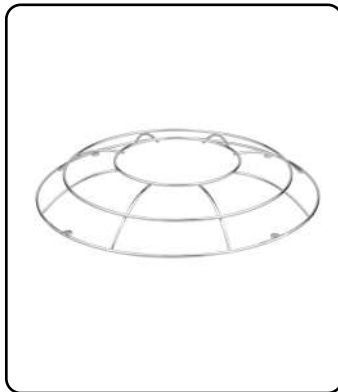
PC Reflector



PC Reflector



connecting box



Emergency power wire fence

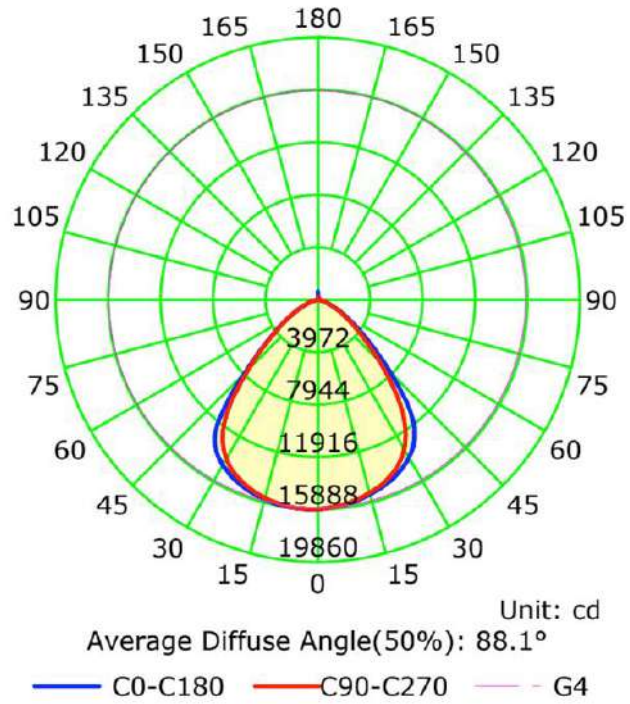


FM Bracket

# PHOTOMETRICS

Model No: UFOL-200W

## Luminous Intensity Distribution Curve



Note: Additional Photometrics Available Online