



PERFORMANCE FEATURES

UL Listing

Suitable for wet locations

LEDs:

Lumileds 2835, high CRI.

Housing

Diecast Aluminum housing

Diffuser

Polycarbonate

Optional Accessories

- Photocell

Finish

Long lasting dark bronze finish with high durability

Ambient Operating Temp.

-40°C (-40°F) to 50°C (122°F)

Dimming Driver:

Driver Brand: AST
 Driver Model: HB-FL19F015
 Surge Protection: L-N: 2.5kV, L-N: 2.5kV
 Dimming: 0-10V dimming standard

Flicker Percent

<70%

Application

Entrance lighting, courtyard light, outdoor landscape, building, hotel, wall light

IESNA LM-79 & IESNA LM-80 Testing:

LED luminaires have been tested based on IESNA LM-79 and LM-80 by a third-party laboratory

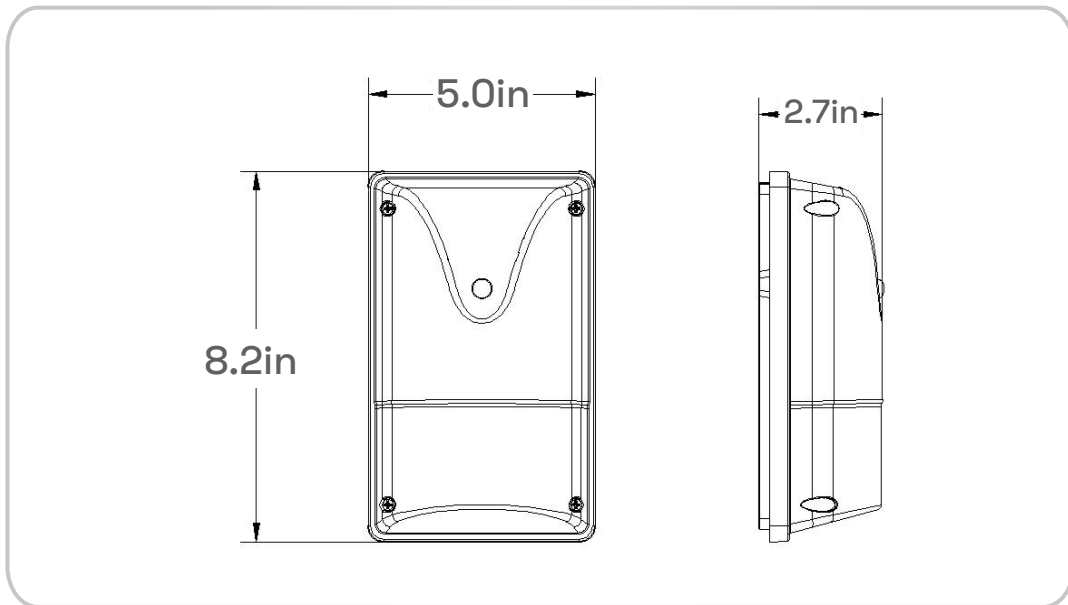
SKU GUIDE

Model Section	MWP-15W-40K-DV2-PC-CL-BZ						
MWP	15W	40K	DV2		PC	CL	BZ
BODY TYPE PREFIX	WATTAGE	CCT (if selectable = CCT)	DRIVER	VOLTAGE	CONTROLS	ELECTRICAL OPTIC/LENS	HOUSING FINISH
MWP	15W 25W 30W	40K=4000K 50K=5000K	D - 0-10V Dimming	V2 - 120-277V (Universal Voltage)	PC- Photocell Sensor	CL-Clear Lens	BZ-Dark Bronze Finish

SKU SPECIFICATION

SKU #	Nominal Wattage	CCT	Lumens	Efficacy (LPW)	CRI	Input Voltage	Operating Temp.	Certifications
MWP-15W-40K-DV2-PC-CL-BZ	15W	4000K	2011	134	>80	120-277V	-40°C (-40°F) to 50°C (122°F)	UL listed
MWP-15W-50K-DV2-PC-CL-BZ	15W	5000K	2041	136	>80	120-277V	-40°C (-40°F) to 50°C (122°F)	UL listed
MWP-20W-40K-DV2-PC-CL-BZ	20W	4000K	2769	138	>80	120-277V	-40°C (-40°F) to 50°C (122°F)	UL listed
MWP-20W-50K-DV2-PC-CL-BZ	20W	5000K	2818	141	>80	120-277V	-40°C (-40°F) to 50°C (122°F)	UL listed
MWP-30W-40K-DV2-PC-CL-BZ	30W	4000K	3993	133	>80	120-277V	-40°C (-40°F) to 50°C (122°F)	UL listed
MWP-30W-50K-DV2-PC-CL-BZ	30W	5000K	4049	135	>80	120-277V	-40°C (-40°F) to 50°C (122°F)	UL listed

PRODUCT DIMENSIONS



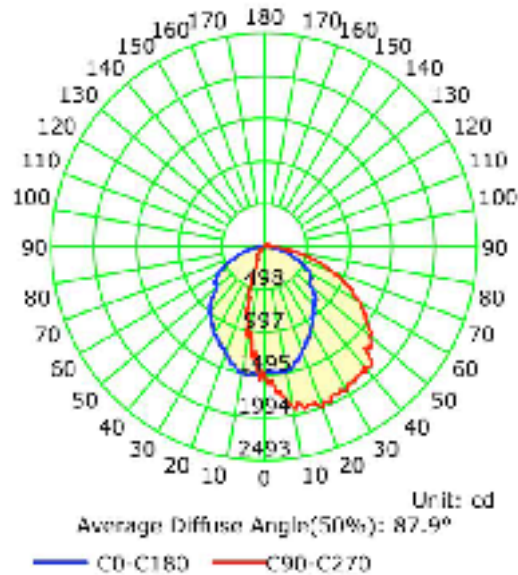
PACKAGING DIMENSIONS

SKU #	Standard Pack	Dimension	Master Pack	W/D
MWP-15W-40K-DV2-PC-CL-BZ	1 Pack	L 5.3in x W 3.1in x H 8.6in	10 Pack	L 16.4 in x W 11.2in x H 9.4in
MWP-15W-50K-DV2-PC-CL-BZ	1 Pack	L 5.3in x W 3.1in x H 8.6in	10 Pack	L 16.4 in x W 11.2in x H 9.4in
MWP-20W-40K-DV2-PC-CL-BZ	1 Pack	L 5.3in x W 3.1in x H 8.6in	10 Pack	L 16.4 in x W 11.2in x H 9.4in
MWP-20W-50K-DV2-PC-CL-BZ	1 Pack	L 5.3in x W 3.1in x H 8.6in	10 Pack	L 16.4 in x W 11.2in x H 9.4in
MWP-30W-40K-DV2-PC-CL-BZ	1 Pack	L 5.3in x W 3.1in x H 8.6in	10 Pack	L 16.4 in x W 11.2in x H 9.4in
MWP-30W-50K-DV2-PC-CL-BZ	1 Pack	L 5.3in x W 3.1in x H 8.6in	10 Pack	L 16.4 in x W 11.2in x H 9.4in

PHOTOMETRICS

Model No: MWP-30W (277V)

Luminous Intensity Distribution Curve



Note: Additional Photometrics Available Online