

LED FLOOD LIGHTS

Installation Instructions



**THIS INSTALL MANUAL IS APPLICABLE FOR
MODEL NO :FWLS-15W/FWLM-50W/FWLL-80W/FWLL-110W**

SAFETY INFORMATION

IMPORTANT

THIS PRODUCT MUST BE INSTALLED IN ACCORDANCE WITH THE APPLICABLE NATIONAL ELECTRICAL CODE AND LOCAL BUILDING CODES BY A PERSON FAMILIAR WITH THE CONSTRUCTION AND OPERATION OF THE PRODUCT AND THE HAZARDS INVOLVED.

PRECAUTIONS

- Please read and understand this entire manual before attempting to assemble, install, or operate this light fixture.
- This light fixture requires a 120-277 Volt AC power source (the 15W requires only 120V).
- Some codes require installation by a qualified electrician.
- This light fixture must be properly grounded.
- Make sure connections are secure using wire nuts, crimp-on lugs or other approved connecting devices.
- This light fixture should be installed indoors to a ceiling, recessed mount application



WARNING: Turn the power off at the circuit breaker or fuse. Place tape over the circuit breaker switch and verify power is off at the light fixture.



CAUTION: Burn hazard. Allow the light fixture to cool before touching.



NOTICE: If using dimming function, only connect to 0-10V approved dimming switches or control system



NOTICE: FCC Regulations state that any unauthorized changes or modifications to this equipment not expressly approved by the manufacturer could void the user's authorization to operate this equipment.



INFORMATION: The device is tested and found to comply with Part 15 of the FCC Rules. Operation is subject to two conditions: (1) This device may not cause harmful interference and, (2) this device must accept any interference received, including any interference that may cause undesired operation. These limits are designed to provide reasonable protections against harmful interference when the equipment is operated in a commercial environment.

NOTE: This equipment has been tested and found to comply with the limits for a Class B digital device, pursuant to part 15 of the FCC rules. These limits are designed to provide reasonable protection against harmful interference in a residential installation. This equipment generates uses and can radiate radio frequency energy and, if not installed and used in accordance with the instructions may cause harmful interference to radio communications. However, there is no guarantee that interference will not occur in a particular installation. If this equipment does cause harmful interference to radio or television reception, which can be determined by turning the equipment off and on, the user is encouraged to try to correct the interference by one or more of the following measures

- Reorient or relocate the receiving antenna
- Increase the separation between the equipment and receiver.
- Connect the equipment into an outlet on a circuit different from that to which the receiver is connected
- Consult the dealer or an experienced radio/TV technician for help

Contact us : For support & assistance, please feel free to contact us below.

E-Mail: info@medinahpower.com | **Web:** www.medinahpower.com | **Ph:** +1 (844) 870-5337

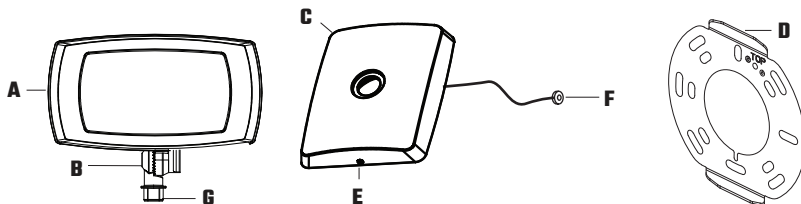
LED FLOOD LIGHTS

Installation Instructions



PRE-INSTALLATION (CONTINUED)

PACKAGE CONTENTS



PART	DESCRIPTION	QUANTITY
A	Light fixture	1
B	1/2 in. NPS Threaded knuckle mount stem	1
C	Wall/Eave mounting plate cover	1
D	Mounting plate (shipped installed)	1
E	Mounting plate set screw	1
F	Hands-free mounting wire	1
G	Conduit lock nut for knuckle mount	1

NOTE: Alternate mounting accessories are not provided in the box. They are available separately from your retailer.

HARDWARE KIT

NOTE: Hardware not shown to actual size.



PART	DESCRIPTION	QUANTITY
AA	#8-32 x 3/4 in. Philips head screw	2
BB	Wire nut	3
CC	Allen key	1
DD	Wing nut for wall mount plate	1
EE	Lock washer	1
FF	Sealing gasket	1
GG	Clear photocell cover	1

LED FLOOD LIGHTS

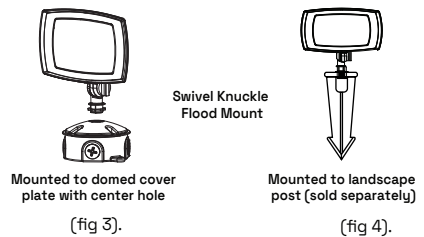
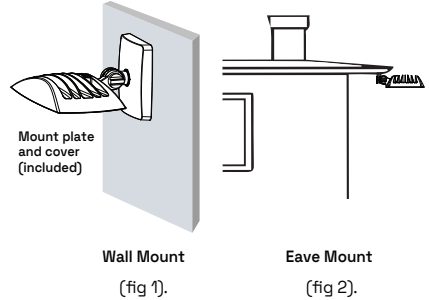
Installation Instructions



INSTALLATION

1 FOR BEST RESULTS

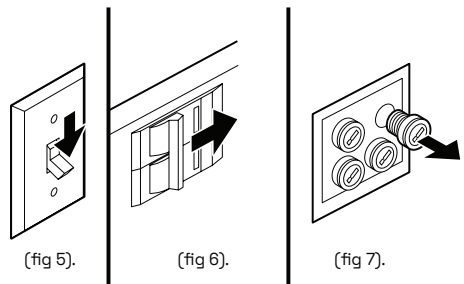
- Install light 6-15 feet above the ground for wall applications or on ground for flood application.
- The fixture can be mounted in multiple ways:
 - A. Wall/Eave Mount:** Use the mounting plate cover (C) and the mounting plate (D) over a junction box. See (fig 1) and (fig 2).
 - B. Swivel Knuckle Flood Mount:** Can be used with a domed cover plate (not provided) on a junction box or landscape ground post (not provided). See (fig 3) and (fig 4).
- Do NOT wire to a dimming switch.



IMPORTANT INFORMATION: Domed cover plates for junction boxes, landscape posts, and other mounting arms and accessories are available.

2 SHUT OFF ELECTRIC POWER OFF

- Verify the wall switch is in the OFF position (fig 5).
- At the main electrical panel, turn off the circuit breaker that supplies power to the junction box you are working on (fig 6).
- For screw-in type fuses, unscrew the fuse that supplies power to the junction box you are working on (fig 7).



LED FLOOD LIGHTS

Installation Instructions



INSTALLATION (CONTINUED)

3 OPTION: ASSEMBLE THE WALL/EAVE MOUNTING PLATE COVER

(for wall/eave mounting over standard recessed junction box)

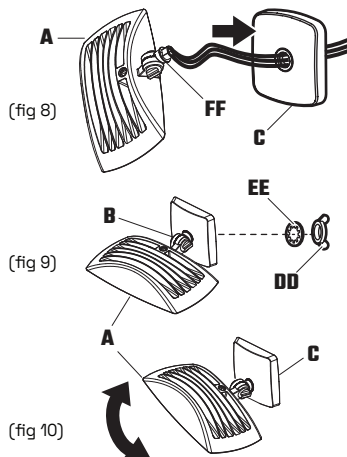


NOTE: The fixture comes with the knuckle stem and the wall/eave mounting base plate cover (C) in the box.

- Place the sealing gasket (FF) on the knuckle stem and thread wires through the hole of the wall/eave mounting plate cover (C), being careful not to pinch the wires. (fig 8)
- Pass the fixture's threaded stem (B) through the center hole of the mounting plate cover (C). Secure with the lock washer (EE) and tighten with the wing nut (DD). (fig 9)



IMPORTANT: Adjust the desired left to right orientation of the fixture head (A) on the wall/eave mounting plate cover (C) at this step. (fig.10)



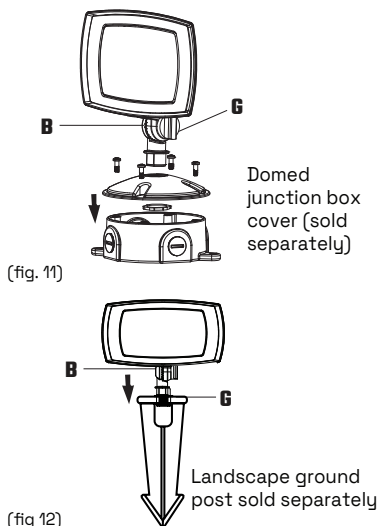
4 OPTION: MOUNT TO SURFACE MOUNT JUNCTION BOX OR LANDSCAPE GROUND POST

For Ground and Wall/Eave Mounting



NOTE: The fixture comes with the 1/2 in. threaded NPS swivel knuckle stem (B) and is compatible with standard domed junction box covers and landscape ground posts which are sold separately.

- Place wires through the hole in the domed junction box cover or landscape ground post (fig 11) and (fig 12).
- Place the conduit lock nut (G) on the back side of the domed cover.
- Screw the 1/2 in. NPS threaded knuckle mount (B) into the center hole of the domed plate or landscape post and, if the hole is not threaded, use the conduit lock nut (G) to tighten the fixture into place.
- Use provided hex head screwdriver to loosen the bolt in the center of the knuckle mount and select the desired angle. Tighten the screw to secure into place.



Contact us : For support & assistance, please feel free to contact us below.

E-Mail: info@medinahpower.com | **Web:** www.medinahpower.com | **Ph:** +1 (844) 870-5337

LED FLOOD LIGHTS

Installation Instructions



INSTALLATION (CONTINUED)

5 ATTACH THE MOUNTING PLATE TO JUNCTION BOX

(for wall/eave mounting over standard recessed junction box)

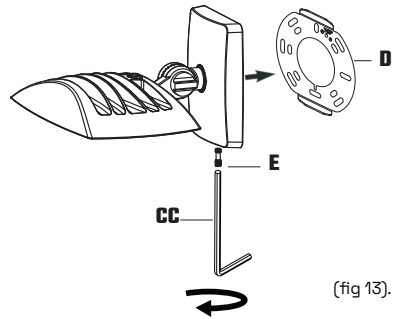
- To remove the mounting plate (D) from the back of the fixture, loosen the set screw (E) using the hex head allen key (CC). (fig 13)
- Align the holes of the mounting plate (with the "TOP" marking oriented upwards OR closest to wall if eave mounted) with the junction box. Secure the mounting plate (D) to the junction box with the two #8 screws (AA). (fig 14)



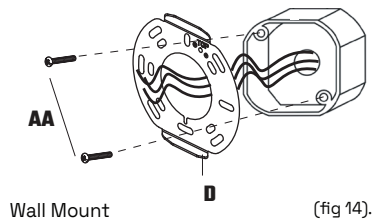
TIP: Only unscrew the mounting plate set screw (E) far enough to remove the mounting plate (D). Do not fully remove the set screw (E).



NOTE: Use any other suitable bolts or fasteners as applicable for attachment to your mounting surface.



(fig 13).

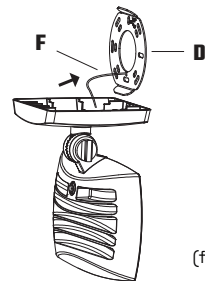


(fig 14).

6 ATTACH HANDS-FREE WIRE

(for wall/eave mounting over standard recessed junction box)

- Take the round "ball" head of the hands-free wire (F), attached to the back of the mounting plate cover, and place it behind the bottom-center "notch" of the mounting plate (D).
- Ensure the fixture can now hang freely to allow for hands-free connection of the electrical wires.



(fig 15).

Wall/Eave Mount

LED FLOOD LIGHTS

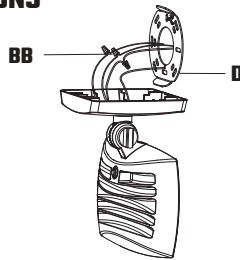
Installation Instructions



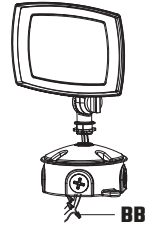
INSTALLATION (CONTINUED)

7 MAKE THE ELECTRICAL CONNECTIONS


- If necessary, strip 3/8 in. of insulation from the junction box and lighting fixture wires.
- Connect wires by twisting the exposed wires together and using the wire nuts (BB). Ensure there are no loose wires.
- Connect the lighting fixture black wire to the junction box black wire (line), the lighting fixture white wire to the junction box white wire (common), and the junction box ground wire to the green lighting fixture ground wire.



Wall Mount
(fig 16).

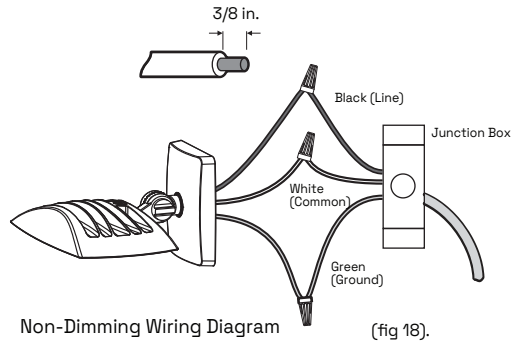


Swivel Knuckle Flood/
Surface Mount
(fig 17).



TIP: Hold stripped ends near each other and align any frayed strands (do not twist wires).

Push the wires into the wire nut (BB) and use your fingers to twist the wire nut clockwise until tight. Check for tightness by pulling wires.

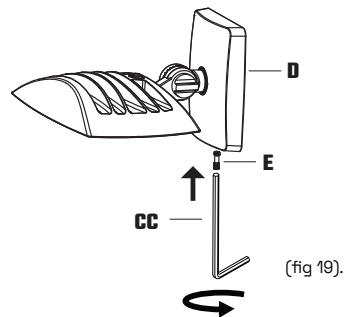


Non-Dimming Wiring Diagram (fig 18).

8 SECURE THE FIXTURE AND WIRING

(For wall/eave mount over standard recessed junction box)

- Once the fixture is wired, place the fixture on the mounting plate. Use the hex head allen key (CC) to tighten the set screw (E) to secure the fixture to the mounting plate (D).
- Ensure no wires are pinched between the mounting plate cover (C) and mounting surface.



(fig 19).



NOTE: After electrical connections are made, un-hook the hands-free wire (F) and then mount the fixture onto the mounting plate (D).

LED FLOOD LIGHTS

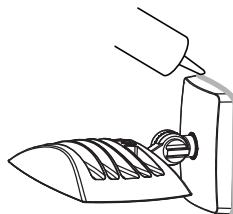
Installation Instructions



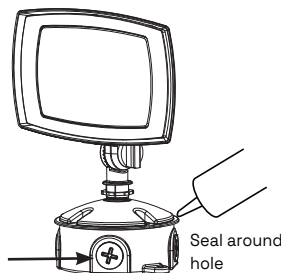
INSTALLATION (CONTINUED)

9 SEAL WITH CAULKING

- For recessed junction box mounting, caulk around the back face of the light fixture shown in (fig 20) with silicone sealant (not included).
- For surface mount junction box applications, caulk between the junction box and mounting plate with silicone sealant (not included) as shown in (fig 21).



(fig 20).



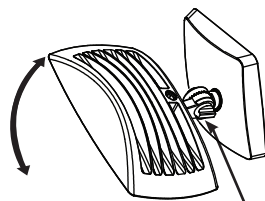
Swivel Knuckle Flood Mount

(fig 21).

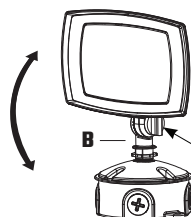
NOTICE: Failure to properly caulk around the back face of the light fixture and mounting surface could lead to water damage and is not covered under warranty.

10 ADJUST THE LAMP HEAD AND TEST

- Loosen the screw on the swivel portion of the knuckle (B), adjust the fixture to a suitable orientation, and then tighten the screw.
- Test the fixture by restoring power to the breaker and light switch. Verify that the light fixture illuminates. Adjust the light angle as needed.



Use the hand screw here to adjust the orientation



Use the hand screw here to adjust the orientation

(fig 22).

LED FLOOD LIGHTS

Installation Instructions



OPERATION

SWITCH-CONTROLLED

Switch-controlled operation enables the light fixture to turn ON and OFF by flipping a standard light switch. Dusk-to-Dawn control requires the addition of an external photocell, sensors or timer (sold separately).

- Once the fixture is installed, turn power back on from the circuit breaker and switch.
- Flip the switch ON and OFF to ensure the light functions properly.

SWITCH



CONTROLLED



NOTE: This fixture is not dimmable, so it is best to not wire to a dimming switch.

TROUBLESHOOTING

If Light does not come on:

- Verify that the power is turned ON from the circuit breaker and wall switch.
- Verify the wiring for the fixture is done properly.
- Verify the line voltage is correct.

If Light flickers:

- Do not wire to a dimming switch. Use a standard ON/OFF switch.