

LED Retrofit Downlight Installation Instructions



**THIS INSTALL MANUAL IS APPLICABLE FOR
MODEL NO : RDLR4-8W/RDLR6-11W**

SAFETY INFORMATION

IMPORTANT

THIS PRODUCT MUST BE INSTALLED IN ACCORDANCE WITH THE APPLICABLE NATIONAL ELECTRICAL CODE AND LOCAL BUILDING CODES BY A PERSON FAMILIAR WITH THE CONSTRUCTION AND OPERATION OF THE PRODUCT AND THE HAZARDS INVOLVED.

PRECAUTIONS

- Please read and understand this entire manual before attempting to assemble, install, or operate this light fixture.
- This light fixture requires a 120-277 Volt AC power source.
- Some codes require installation by a qualified electrician.
- This light fixture must be properly grounded.
- Make sure connections are secure using wire nuts, crimp-on lugs or other approved connecting devices.
- This light fixture should be installed indoors to a ceiling, recessed mount application



WARNING: Turn the power off at the circuit breaker or fuse. Place tape over the circuit breaker switch and verify power is off at the light fixture.



CAUTION: Burn hazard. Allow the light fixture to cool before touching.



NOTICE: If using dimming function, only connect to 0-10V approved dimming switches or control system



NOTICE: FCC Regulations state that any unauthorized changes or modifications to this equipment not expressly approved by the manufacturer could void the user's authorization to operate this equipment.



INFORMATION: The device is tested and found to comply with Part 15 of the FCC Rules. Operation is subject to two conditions: (1) This device may not cause harmful interference and, (2) this device must accept any interference received, including any interference that may cause undesired operation. These limits are designed to provide reasonable protections against harmful interference when the equipment is operated in a commercial environment.

NOTE: This equipment has been tested and found to comply with the limits for a Class B digital device, pursuant to part 15 of the FCC rules. These limits are designed to provide reasonable protection against harmful interference in a residential installation. This equipment generates uses and can radiate radio frequency energy and, if not installed and used in accordance with the instructions may cause harmful interference to radio communications. However, there is no guarantee that interference will not occur in a particular installation. If this equipment does cause harmful interference to radio or television reception, which can be determined by turning the equipment off and on, the user is encouraged to try to correct the interference by one or more of the following measures

- Reorient or relocate the receiving antenna
- Increase the separation between the equipment and receiver.
- Connect the equipment into an outlet on a circuit different from that to which the receiver is connected
- Consult the dealer or an experienced radio/TV technician for help

LED Retrofit Downlight Installation Instructions

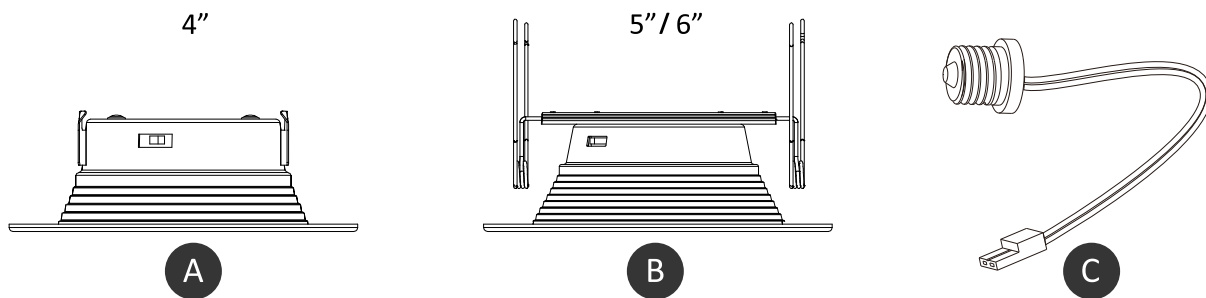


INSTALLATION

DIMMER RECOMMENDATION

This unit may operate on other dimmers we haven't tested with.

LEVITON	6672, 6674, PD-6WCL, DSL06, NACK-153M//MA-R
LUTRON	TG-600PR-WH, S-600PR-WH, CTCL-153PHD-WH, TGCL-153PH-LA, SLV-600P-AL DV*600PR-WH, SCL-153PH-WH, GT-600P, DVCL-153P, RNLO6, MSCL-OP153M, IPL06



CCT ADJUSTMENT

Please select lamp color desired with the CCT switch before installation



INSTALLATION INTO HOUSING

1. Screw Socket Adapter into existing can socket (Fig 1)
2. Plug female connector of fixture into male connector of socket adapter assembly. (Fig 2) (Fig 5)

For 4" Retrofit

3. Squeeze friction blades to light body (Fig 3) Tuck all wires into can and carefully push retrofit trim into can. To provide enough room in shallow can, carefully position socket adapter wiring to side of LED driver prior to inserting retrofit trim into the can.

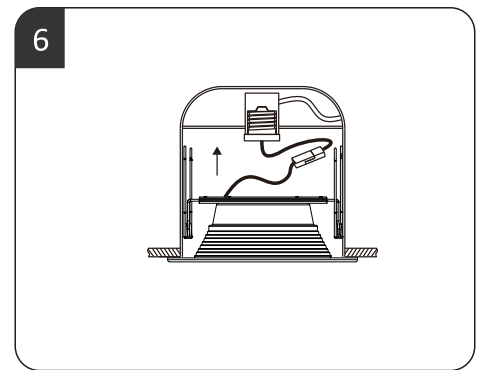
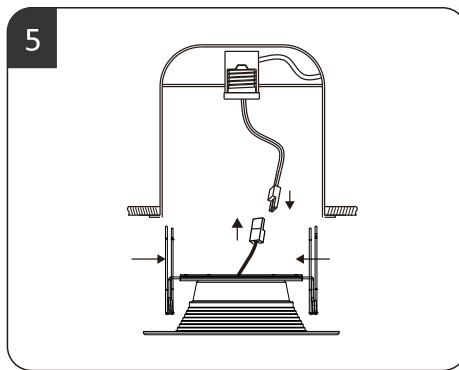
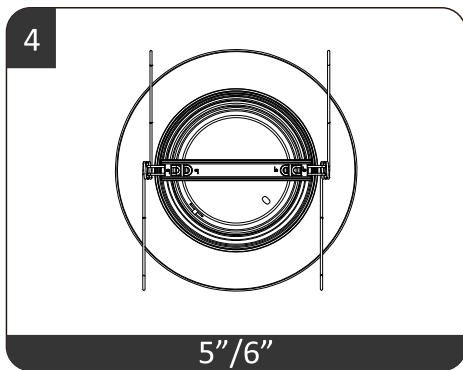
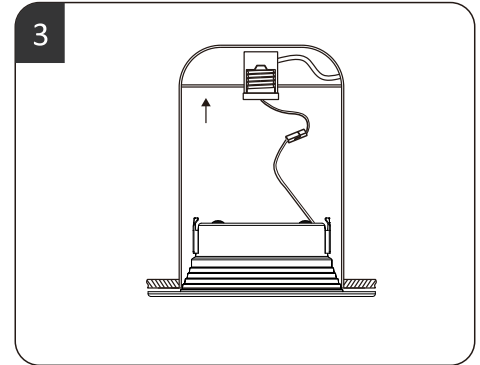
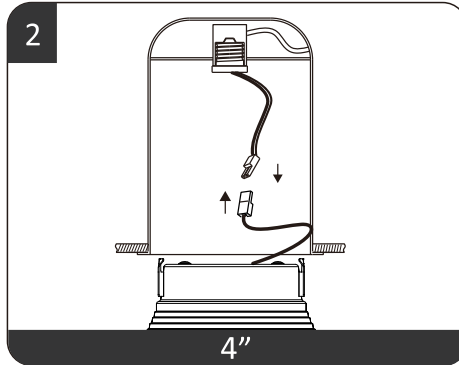
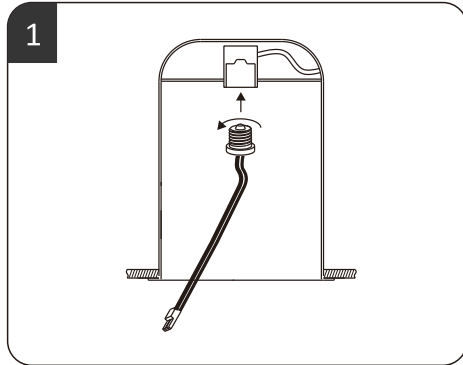
For 5"/6" Retrofit

4. Squeeze both torsion spring arms together and insert into torsion spring slots (or receiver brackets) of can (Fig 6)

LED Retrofit Downlight Installation Instructions



INSTALLATION I:



REMOVING LED LUMINAIRES

1. With fingertips, pull down firmly on trim ring until fixture stops.
2. Squeeze torsion springs together to remove LED fixture.
3. Disconnect fixture from socket adapter.
4. Unscrew socket adapter from recessed can.