

L SERIES

HIGH DUTY, HIGH PURITY TUBE & PIPE WELDING

Unlike most closed heads, the L Series weld heads are capable of welding heavy wall at high duty cycles. At the heart of the design is a system that brings the coolant up to the rotor. This unique feature keeps the head cool and allows it to run higher current with less time between welds.



High Duty Cycle



Capable of Heavy Wall Welding



Extended Collets: Improved Alignment



Flush Collets: Lower Clearance



Metal Construction (No Plastic Handle)



Convenient Handle Controls

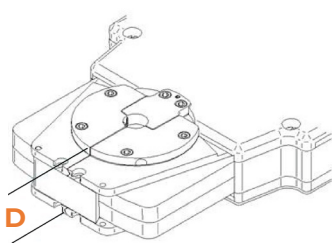


0.12" - 8.63" [3.0mm - 222mm] Size Range

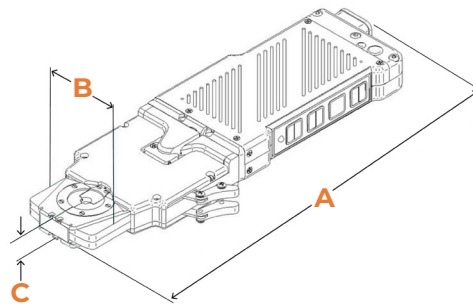


■ Features

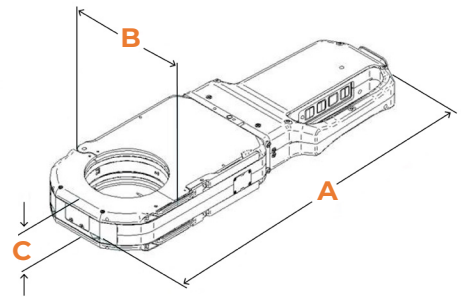
| Model | | L-500 L-750 L-1000 | L-2000 L-4000 L-8000 |
|--------------|--|--------------------------|----------------------------|
| Cooling | Integrated cooling passages throughout the head | . | . |
| Handle | Ergonomically designed, metal construction with built in pendant | . | . |
| Controls | Start/Stop, Next Level/Gas Test, Motor Jog, Final/Home | . | . |
| Collets | Flush, removable | . | . |
| | Extended, removable | . | . |
| | Water-cooled (optional) | . | . |
| Gas coverage | Circumferential diffuser | . | . |



Extended Collets



Flush Collets



L-2000 / L-4000/ L-8000

■ Specifications

| Model Number | L-500 | L-750 | L-1000 | L-2000 | L-4000 | L- 8000 |
|----------------------|----------------------------|----------------------------|----------------------------|----------------------------|------------------------------|------------------------------|
| Diameter Range | 0.12-0.50" [3.0-12.7mm] | 0.12-0.76" [3.0-19.0mm] | 0.12-1.32" [3.0-33.0mm] | 0.25-2.50" [6.4-64.0mm] | 0.50-4.50" [12.7-115.0mm] | 1.00-8.63" [25.4-220.0mm] |
| Speed | 15 RPM | 18 RPM | 7 RPM | 9 RPM | 6.3 RPM | 3.2 RPM |
| Weight (Excl. Cable) | 1.8lbs [0.8kg] | 3.4lbs [1.5kg] | 4.4lbs [2.0kg] | 7.4lbs [3.4kg] | 9.3lbs [4.2kg] | 16.3lbs [7.3kg] |
| Dimensions | | | | | | |
| "A" | 9.46" [240mm] | 10.96" [278mm] | 11.68" [297mm] | 15.65" [396mm] | 17.77" [451mm] | 22.95" [583"] |
| "B" | 1.98" [50mm] | 2.62" [66mm] | 3.23" [82mm] | 5.48" [139mm] | 7.61" [193mm] | 12.45" [316mm] |
| "C" | 0.57" [14mm] | 0.97" [25mm] | 0.99" [25mm] | 1.74" [44mm] | 1.74" [44mm] | 1.74" [44mm] |
| "D" | 0.75" [19mm] | 1.34" [34mm] | 1.62" [41.50mm] | | | |