

Part of the Krix Architectural Series (AS), the Hemispherix SPS is a single point stereo speaker with dual tweeters and a dual voice coil woofer, providing unsurpassed performance in a very compact package. Two inputs allow both left and right channels to be connected for stereo sound from a single speaker, making it ideal for use in applications where installing two speakers is not desired or practical. The product is therefore perfect for use in hallways, bathrooms, eaves, under balconies and other tight spaces.

The Hemispherix SPS features a 125mm (5") mid-bass driver with a durable polypropylene cone and an oversized, low distortion magnet system. Two high-grade 20mm (¾") ring radiator tweeters are mounted at opposing 20° angles, providing room-filling stereo sound.

Manufactured from weather resistant materials and featuring a rust resistant stainless steel grille, the Hemispherix SPS is suitable for installation outside under alfresco areas and in eaves, or inside the house in bathrooms, ensuites, or any other room. The semi-enclosed design means that the moving parts of the speaker are protected from dust and other ceiling contaminants while providing excellent bass performance for such a low profile speaker.

The paintable bezel grille, which is slim and attractively-styled, locks onto magnets at the front of the speaker for easy installation, delivering high fidelity sound with magical simplicity.

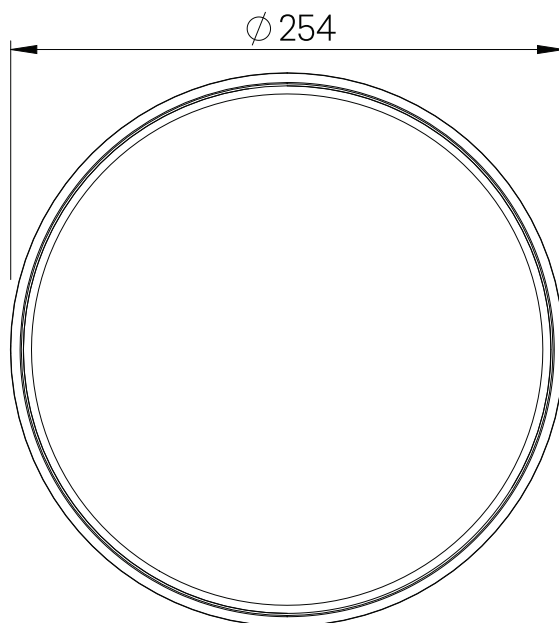
FEATURES

- Stereo sound from a single speaker
- Low profile 90mm mounting depth
- Suitable for indoor and outdoor use
- Stainless steel grille

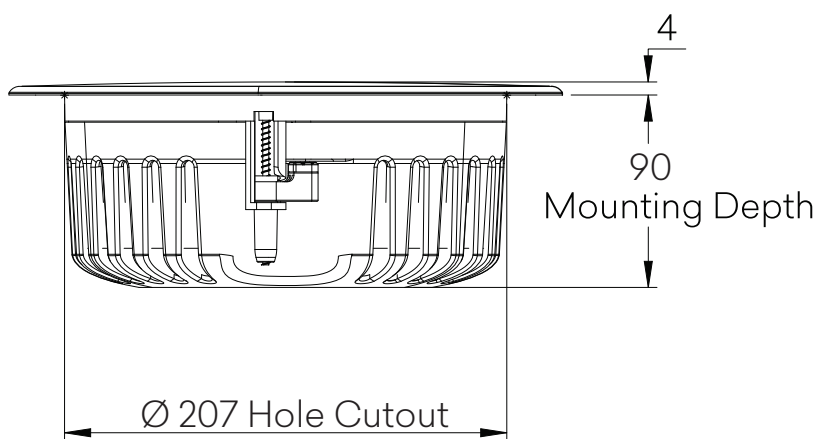


Hemispherix SPS	
Frequency Range	70Hz - 40kHz (in room response)
Power Handling	5 - 50 Watts RMS recommended amplifier power per input
Sensitivity	85 dB (2.83V / 1m)
Impedance	2 x Nominal 8 Ohms (Minimum 6.3 Ohms)
Configuration	Dual 2-Way
Low Frequency Driver	1 x 125mm (5") polypropylene cone, 35mm dual voice coil
High Frequency Driver	2 x 20mm (¾") ring radiator
Enclosure Type	Semi-open back
Input Terminals	4 x Push type connectors
Weather Resistance	Dust and splash resistance, IP54 rated
Dimensions	254mm diameter x 90mm mounting depth
Cut Out Diameter	207mm diameter recommended (template provided)
Net Weight	2 kg

DETAILED DIMENSIONS



Top View



Front View

