



COMBINATION OUTLET & DUAL USB-C

Mid Continent Controls manufactures a wide variety of AC Outlets, USB Charging, and Data Ports that meet and exceed the standards set by the aviation industry. Our latest Combination Outlet greatly simplifies installation by combining both a Universal AC outlet and Dual USB charging ports (Type-A, Type-C, or both) into one assembly that is the same dimension as most of our existing Universal AC outlets.

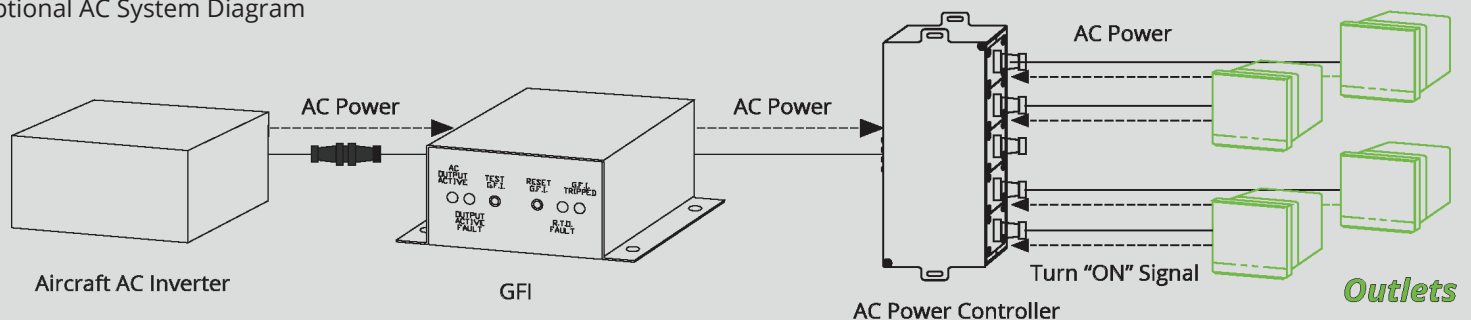
The USB-C power supply is now built into the outlet, eliminating the need for external power supply modules. This notable improvement provides installers with a more convenient and efficient solution. It offers customers quick upgrade options that noticeably improve their experience with minimal wiring and interior modification. The Universal AC outlet incorporated into this product has the same Remote Turn On (RTO) safety features available on our legacy Universal AC outlets. The RTO function provides the signal to the power controller, so AC power is only available at the outlet when a device is plugged into it.

Custom configurations include:

- Dual USB-C ports providing 15W, 45W, or 60W output depending on your aircraft installation power requirements
- USB-A/USB-C combination (up to 60W USB-C power, USB-A limited to 12W)
- Outlet lid which can be plated to match existing interior finishes
- Backlighting options, soft white or blue.

The combination outlets carry FAA TSO-C71 certification.

Optional AC System Diagram



901 NORTH RIVER

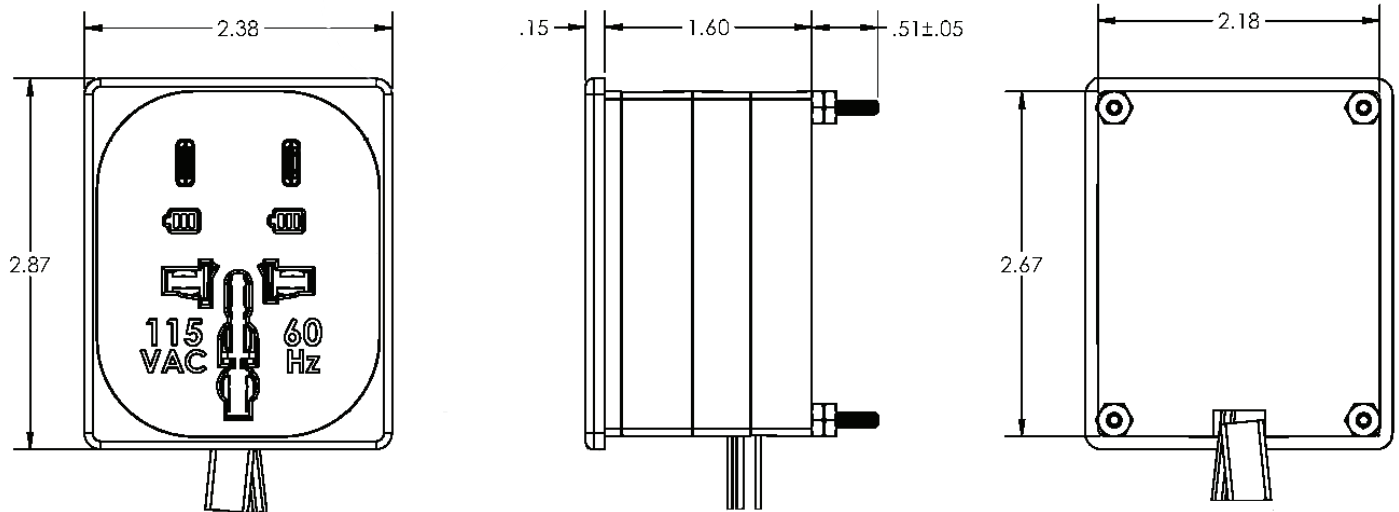
DERBY, KANSAS 67037-1534

TEL: 316.789.0088 | FAX: 316.789.0072

MidContinentControls.com

03/20

SPECIFICATIONS



Part Number.....	(Contact Sales for configuration options)
DC Power Input (USB-C) DUAL 15W Version.....	28VDC, 1.2A
DC Power Input (USB-C) DUAL 45W Version.....	28VDC, 3.7A
DC Power Input (USB-C) DUAL 60W Version.....	28VDC, 4.8A
AC Power Input.....	115VAC/230VAC
AC Current Maximum.....	15A
Weight.....	6.6oz
Size (cutout).....	2.67" x 2.18" x 1.60"
Certifications.....	FAA TSO-C71
RTCA DO-160G Qualified	