



Brand
Fire
Products



Low-Profile Fire Extinguishers

Oval Fire Products manufactures low-profile fire extinguishers that are oval rather than round. With an oval shape, fire extinguishers are less than 4" (102mm) deep. They solve the problem of how to install fire extinguishers in compliance with requirements for accessibility by disabled persons, preserve building floor space and reduce total installed cost.

We offer important advantages for all buildings types:



Accessibility

The Americans with Disabilities Act and most building codes require that buildings be accessible to persons with disabilities. For accessibility, equipment – including fire extinguishers – must project less than 4" (102mm) from the wall. Oval fire extinguishers comply with this 4" (102mm) limitation. Conventional 10 lb. fire extinguishers do not. Oval extinguishers can be mounted on a wall wherever they are required and provide compliance.

Reduced Floor Space

With conventional round fire extinguishers, it is necessary to widen aisles and corridors or deepen walls to meet accessibility requirements. Oval fire extinguishers eliminate the need to do this. Oval fire extinguishers can be mounted on a corridor wall and project less than 4" (102mm). They can also be recess mounted into a standard 3-5/8" (92mm) partition wall. In either case, aisle widths and wall depths can be reduced, saving valuable and expensive floor space.

Lower Installed Cost

Oval fire extinguishers cost more than round fire extinguishers. However, with round fire extinguishers accessibility can be achieved only by widening aisles or recessing them into walls. This adds significant time, cost and disruption, particularly when retrofitting fire extinguishers into existing facilities. These problems go away with Oval fire extinguishers.

For healthcare facilities, we offer even more advantages:



Compliance with CMS Guidelines

The Centers for Medicare and Medicaid Services (CMS) has issued guidance mandating that healthcare facilities be accessible to disabled persons. This mandate applies to existing facilities and often requires updating and replacing fire extinguishers. Healthcare facilities cannot tolerate the dust, noise and disruption that comes with installing conventional fire extinguishers. Oval fire extinguishers can simply be mounted on a wall and the problem is solved.

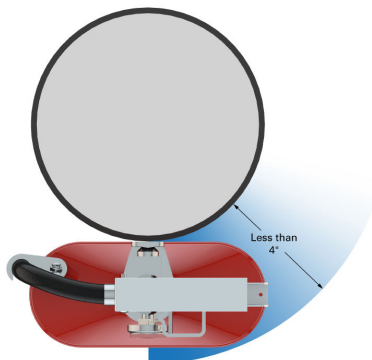
Ligature Resistance

Oval offers ligature-resistant cabinets for use in high risk environments. Only Oval offers a solution that provides both accessibility and ligature resistance.

MRI Environments

Oval fire extinguishers are non-magnetic and certified as conditionally safe for use in MRI facilities.

10H-ABC Dry Chemical Fire Extinguisher, Class ABC, 10 lb.



Application: Multi-purpose 10 lb. dry chemical fire extinguisher for wall and column mounting. For use on Class A, B and C fires. Not recommended for use on sensitive electronic equipment.

Mounting: Surface mounted on wall or column with patented swivel hook. Hook holds unit securely, even if bumped or pushed.

Accessibility: Fire extinguisher depth is 3-1/2" (90mm). When wall or column mounted, unit complies with 4" (102mm) maximum limit for protruding objects as required by the Americans with Disabilities Act (ADA), 2010 ADA Standards for Accessible Design, International Building Code and ANSI/ICC ANSI A117.1.

Healthcare Facilities: Facilitates compliance with CMS accessibility requirements. Certified as "MR Conditional" for safe use in environments with magnetic resonance imaging (MRI) equipment up to 3 Teslas.

UL/ULC Rating: 4A:80B:C

Capacity: 10 lb. (4.54 kg).

Vessel: Extruded aluminum body with welded aluminum top and bottom caps and durable red powder coated finish.

Valve: Anodized aluminum valve with stainless steel handle and pull pin, rubber hose and anodized aluminum nozzle.

Agent: Monoammonium phosphate-based dry chemical.

Transportation: Meets US Department of Transportation requirements for packaging and shipping. Labeled per UN1044.

Quality Assurance: UL listed, compliant with NFPA 10 and tested and certified to ANSI/UL-299, ANSI/UL-711, CAN/ULC-5504 and CAN/ULC-5508. Fire extinguisher is fully assembled, filled, pressurized and tested prior to shipment.

Warranty: Six years.

Patents: Covered by U.S. patents 9,364,696; D760,443; D760,444; D777,566.

Product Specifications

Discharge Time: 22 seconds

Discharge Range: 10 – 15 ft. (3 – 4.5m)

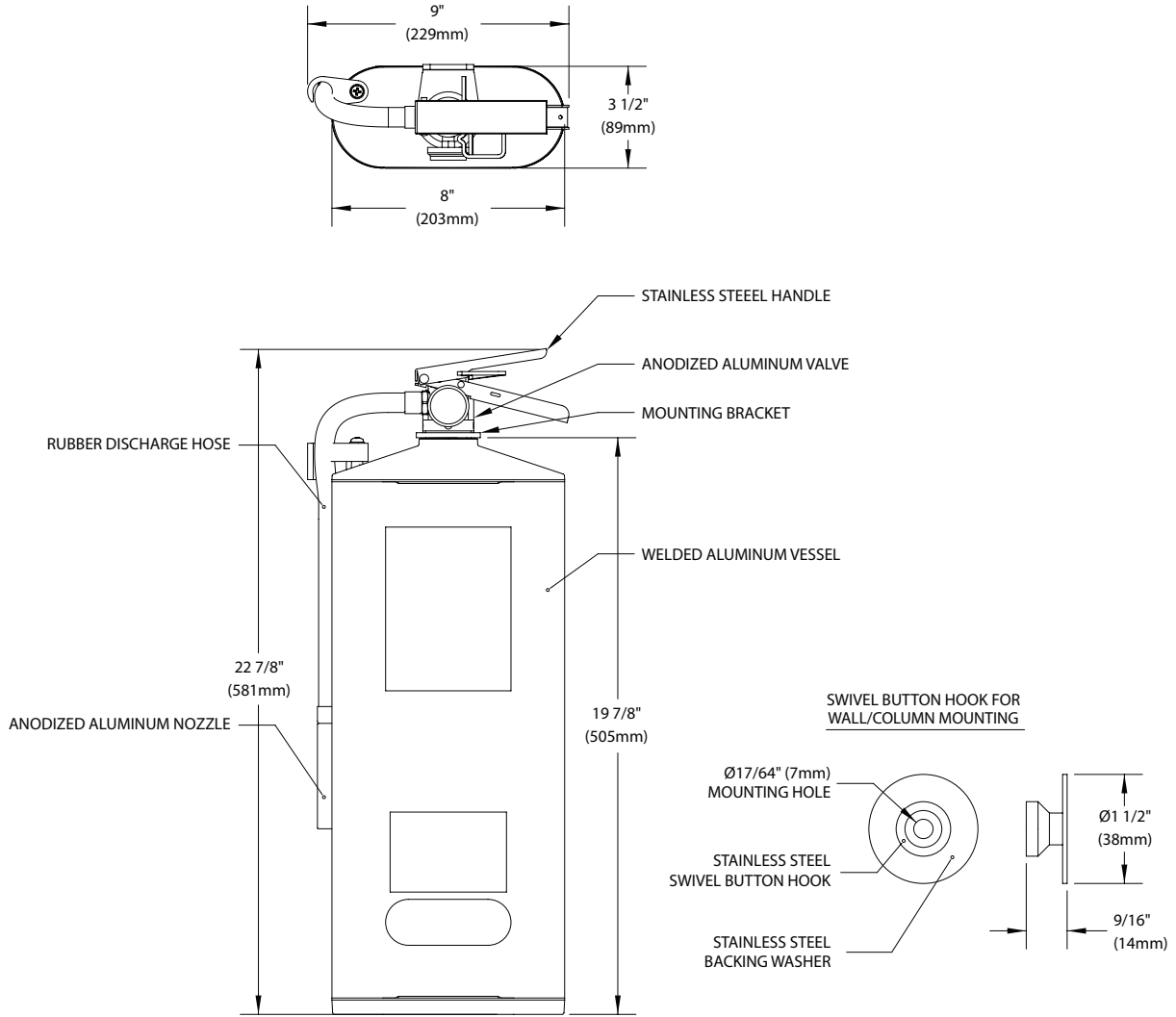
Temperature Range: -40° to 120° F (-40° to 49° C)

Operating Pressure: 195 PSI (1344 kPa)

Dimensions: 22-7/8" (581mm) high x 8" (203mm) wide x 3-1/2" (89mm) deep

Shipping Weight: 22 lbs. (10 kg)

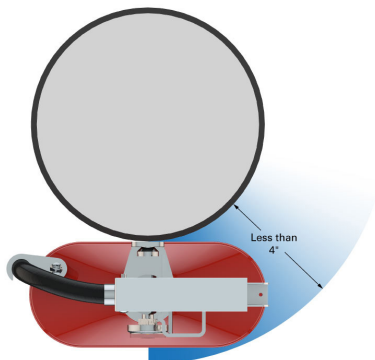
10H-ABC Dry Chemical Fire Extinguisher, Class ABC, 10 lb.



THIS SPACE FOR ARCHITECT/ENGINEER APPROVAL

Due to continuing product improvement, the information contained in this document is subject to change without notice. All dimensions are ± 1/4" (6mm). Rev. 111119

10H-PKP Purple K Dry Chemical Fire Extinguisher, Class BC, 10 lb.



Application: 10 lb. Purple K dry chemical fire extinguisher for wall and column mounting. Highly effective on flammable liquid fires. Suitable for use on Class B and C fires. Not recommended for use on sensitive electronic equipment.

Mounting: Surface mounted on wall or column with patented swivel hook. Hook holds unit securely, even if bumped or pushed.

Accessibility: Fire extinguisher depth is 3-1/2" (90mm). When wall or column mounted, unit complies with 4" (102mm) maximum limit for protruding objects as required by the Americans with Disabilities Act (ADA), 2010 ADA Standards for Accessible Design, International Building Code and ANSI/ICC ANSI A117.1.

Healthcare Facilities: Facilitates compliance with CMS accessibility requirements. Certified as "MR Conditional" for safe use in environments with magnetic resonance imaging (MRI) equipment up to 3 Teslas.

UL/ULC Rating: 80B:C

Capacity: 10 lb. (4.54 kg).

Vessel: Extruded aluminum body with welded aluminum top and bottom caps and durable red powder coated finish.

Valve: Anodized aluminum valve with stainless steel handle and pull pin, rubber hose and anodized aluminum nozzle.

Agent: Potassium bicarbonate-based dry chemical.

Transportation: Meets US Department of Transportation requirements for packaging and shipping. Labeled per UN1044.

Quality Assurance: UL listed, compliant with NFPA 10 and tested and certified to ANSI/UL-299, ANSI/UL-711, CAN/ULC-5504 and CAN/ULC-5508. Fire extinguisher is fully assembled, filled, pressurized and tested prior to shipment.

Warranty: Six years.

Patents: Covered by U.S. patents 9,364,696; D760,443; D760,444; D777,566.

Product Specifications

Discharge Time: 22 seconds

Discharge Range: 10 – 15 ft. (3 – 4.5m)

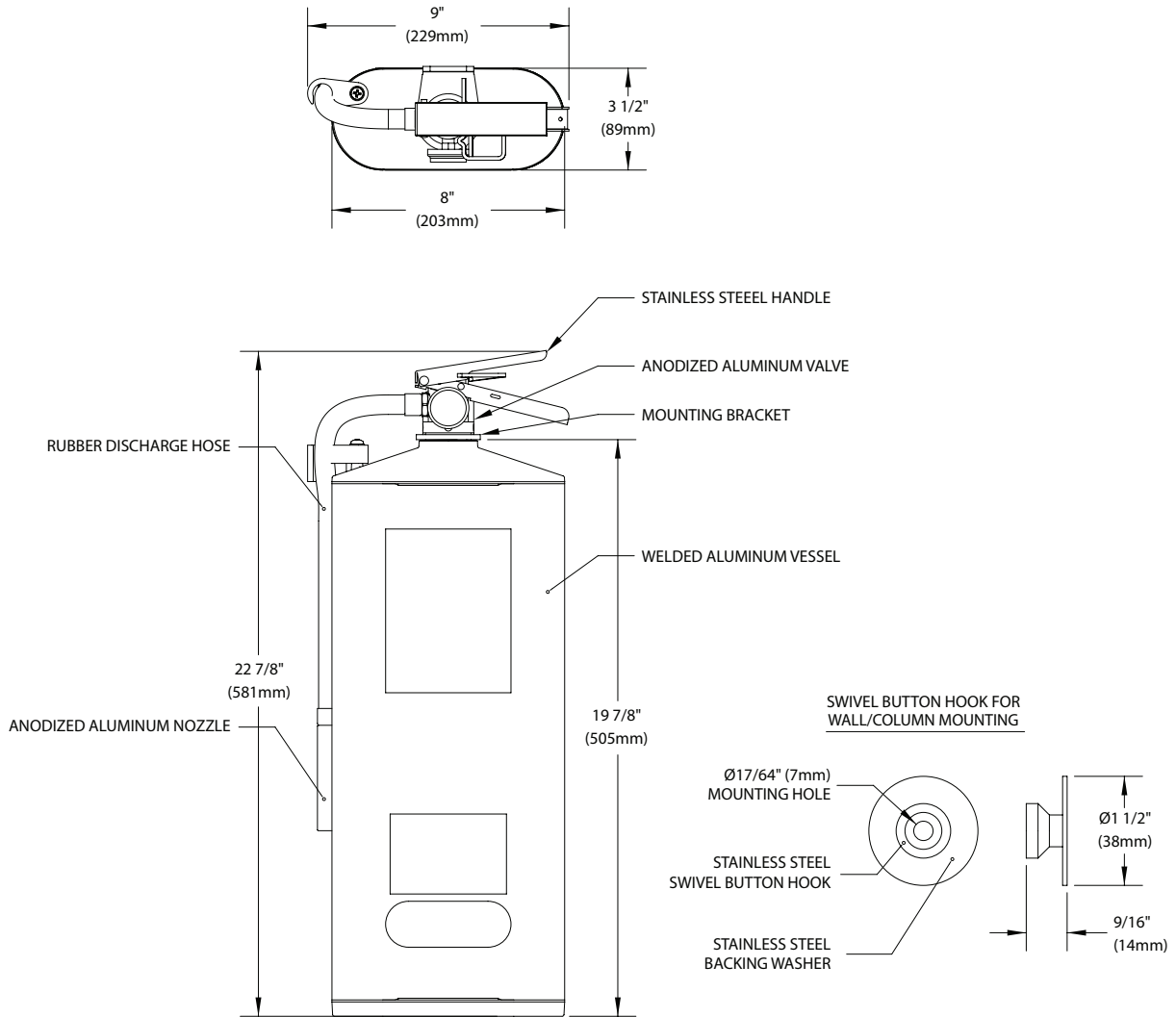
Temperature Range: -40° to 120° F (-40° to 49° C)

Operating Pressure: 195 PSI (1344 kPa)

Dimensions: 22-7/8" (581mm) high x 8" (203mm) wide x 3-1/2" (89mm) deep

Shipping Weight: 22 lbs. (10 kg)

10H-PKP Purple K Dry Chemical Fire Extinguisher, Class BC, 10 lb.



THIS SPACE FOR ARCHITECT/ENGINEER APPROVAL

Due to continuing product improvement, the information contained in this document is subject to change without notice. All dimensions are ± 1/4" (6mm). Rev. 111119

10J-ABC Dry Chemical Fire Extinguisher, Class ABC, 10 lb.



Application: Multi-purpose 10 lb. dry chemical fire extinguisher for wall and cabinet mounting. For use on Class A, B and C fires. Not recommended for use on sensitive electronic equipment.

Mounting: Fire extinguisher may be mounted on wall with patented swivel hook. Hook holds unit securely, even if bumped or pushed. Alternatively, extinguisher may be installed in surface or recess mounted cabinet. Due to low profile of fire extinguisher, recessed cabinet can fit into standard 3-5/8" (92mm) stud wall.

Accessibility: Extinguisher depth is 3" (76mm). When wall mounted, unit complies with 4" (102mm) maximum limit for protruding objects as required by the Americans with Disabilities Act (ADA), 2010 ADA Standards for Accessible Design, International Building Code and ANSI/ICC ANSI A117.1.

Healthcare Facilities: Facilitates compliance with CMS accessibility requirements. Suitable for high risk environments when installed with ligature-resistant cabinet (see pages 21-24). Certified as "MR Conditional" for safe use in environments with magnetic resonance imaging (MRI) equipment up to 3 Teslas.

UL/ULC Rating: 4A:80B:C

Capacity: 10 lb. (4.54 kg).

Vessel: Extruded aluminum body with welded aluminum top and bottom caps and durable red powder coated finish.

Valve: Anodized aluminum valve with stainless steel handle and pull pin, rubber hose and anodized aluminum nozzle.

Agent: Monoammonium phosphate-based dry chemical.

Transportation: Meets US Department of Transportation requirements for packaging and shipping. Labeled per UN1044.

Quality Assurance: UL listed, compliant with NFPA 10 and tested and certified to ANSI/UL-299, ANSI/UL-711, CAN/ULC-5504 and CAN/ULC-5508. Fire extinguisher is fully assembled, filled, pressurized and tested prior to shipment.

Warranty: Six years.

Patents: Covered by U.S. patents 9,364,696; D760,443; D760,444; D777,566.

Product Specifications

Discharge Time: 22 seconds

Discharge Range: 10 – 15 ft. (3 – 4.5m)

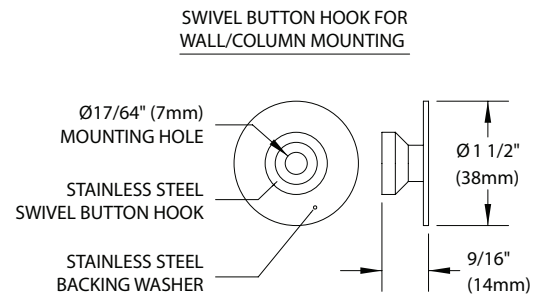
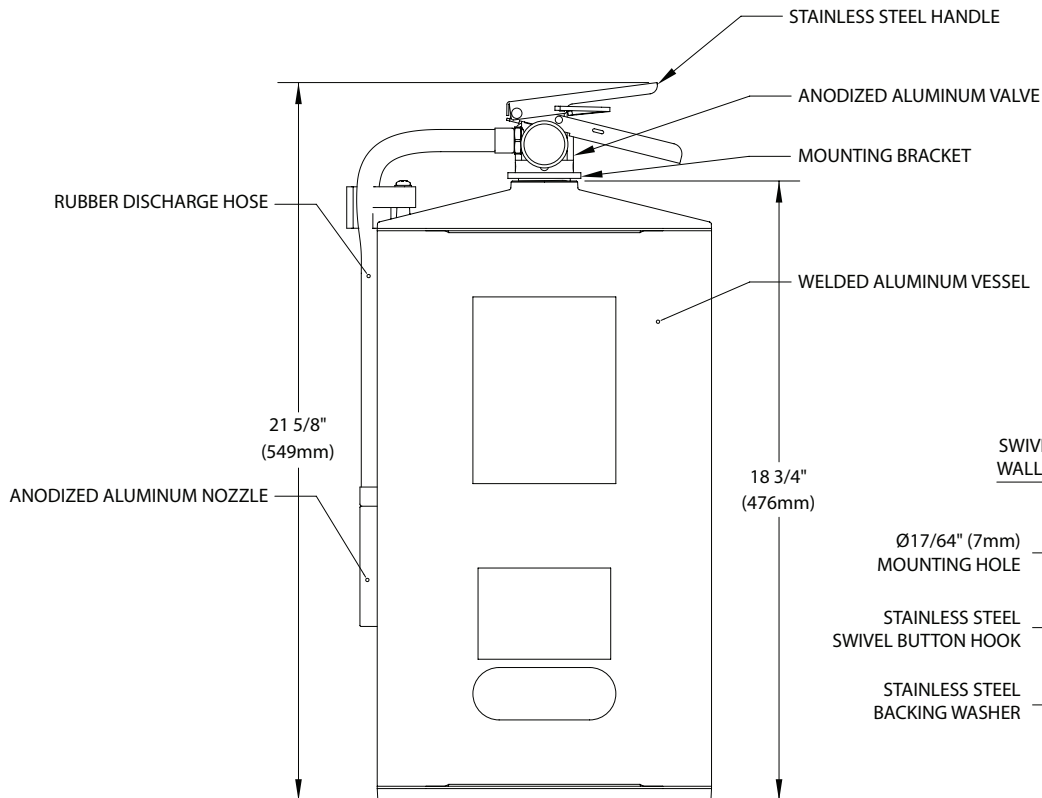
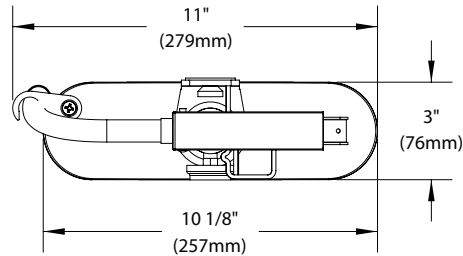
Temperature Range: -40° to 120° F (-40° to 49° C)

Operating Pressure: 195 PSI (1344 kPa)

Dimensions: 21-5/8" (549mm) high x 10-1/8" (257mm) wide x 3" (76mm) deep.

Shipping Weight: 24 lbs. (11.1 kg)

10J-ABC Dry Chemical Fire Extinguisher, Class ABC, 10 lb.



THIS SPACE FOR ARCHITECT/ENGINEER APPROVAL

Due to continuing product improvement, the information contained in this document is subject to change without notice. All dimensions are ± 1/4" (6mm). Rev. 111119

CSST-010100 Fire Extinguisher Cabinet, Surface Mounted, Powder Coated Steel



Shown with Oval model 10J-ABC fire extinguisher (sold separately).

Application: Surface mounted powder coated steel cabinet for use with Oval Model 10J-ABC low-profile fire extinguisher (sold separately).

Mounting: Cabinet is surface mounted on wall (mounting hardware not included). Installation does not require cutting into or modifying wall, making it the best option for retrofit applications.

Accessibility: Cabinet complies with 4" (102mm) limit for protruding objects as required by the Americans with Disabilities Act, 2010 ADA Standards for Accessible Design, International Building Code and ANSI/ICC A117.1.

Cabinet: Fully welded 16 gauge cold rolled steel with a white powder coated finish as standard. Additional colors available as option (see below).

Tub: 22 gauge tub with white powder coated finish.

Door: 16 gauge steel door with continuous steel piano hinge. Door has 1-1/4" (32mm) trim, (2) self-adjusting roller catches and black plastic recessed handle. Door opens 180 degrees. Cabinet is reversible so handle can be on either left or right side.

Window/Lock: Furnished with full acrylic window and without lock as standard. See below for additional window and lock options.

Lettering: Furnished without lettering as standard. See below for lettering options.

Ordering Information

C S S T - 0 1 0 1 0 0

Finish Options

- 01 White steel
- 02 Black steel
- 03 Red steel

Window/Lock Options
(See notes below)

- 01 Full window
- 02 Full window with lock
- 03 Vertical half window
- 04 Vertical half window with lock
- 05 Solid door
- 06 Solid door with lock
- 07 Solid door with cylinder lock, less handle

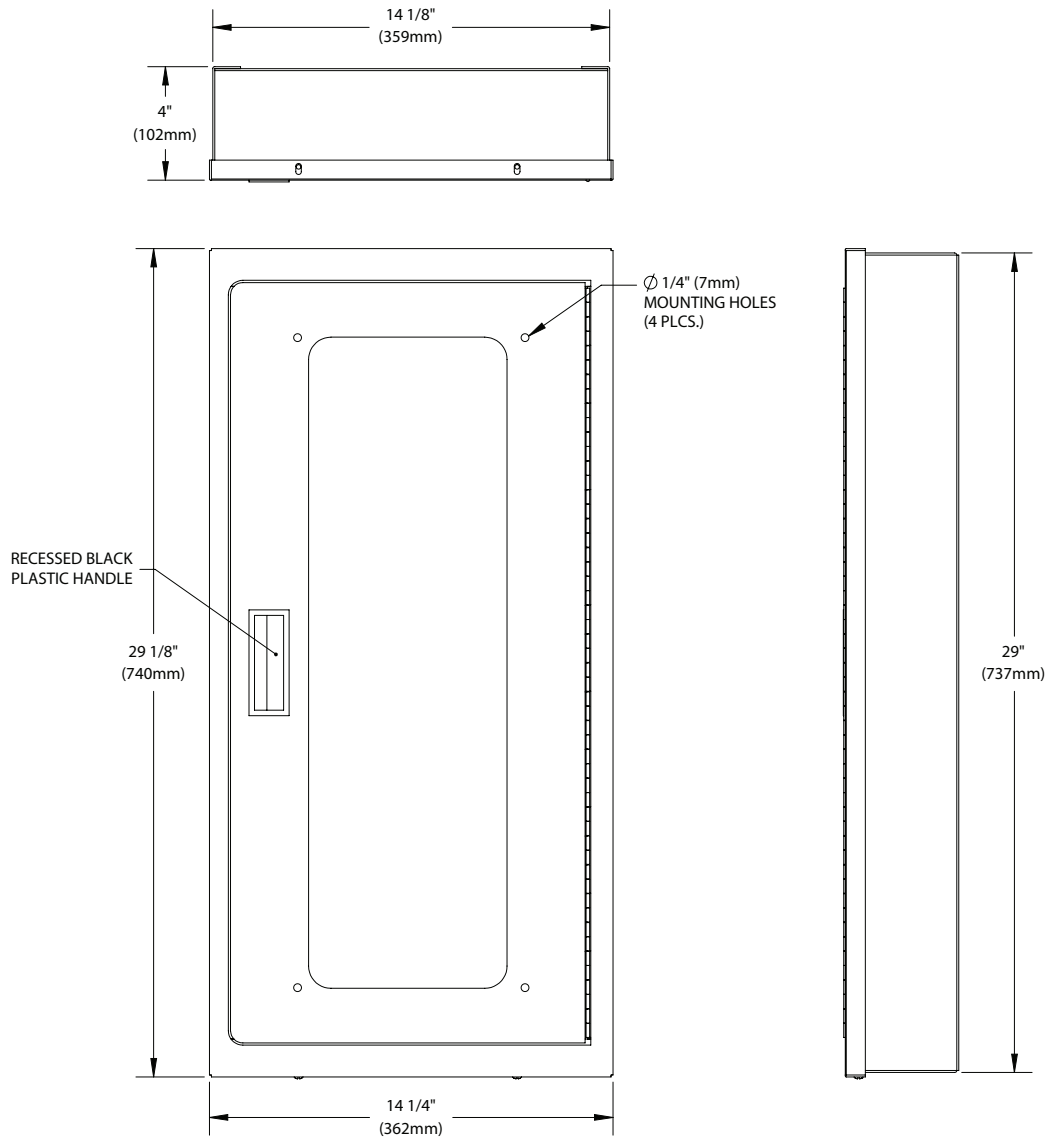
Lettering Options

- 00 Without lettering (standard)
- 01 Vertical decal, clear with red letters
- 02 Vertical decal, clear with white letters
- 03 Vertical decal, clear with black letters
- 04 Vertical die-cut, red letters
- 05 Vertical die-cut, white letters
- 06 Vertical die-cut, black letters
- 07 Vertical die-cut, red ascending letters
- 08 Vertical die-cut, white ascending letters
- 09 Vertical die-cut, black ascending letters

Notes:

1. Standard window is clear acrylic. For tempered glass window, add prefix "G" in place of "0" above.
2. Lock permits opening in case of fire by pulling firmly. Breaking glass to open is not required.

CSST-010100 Fire Extinguisher Cabinet, Surface Mounted, Powder Coated Steel



Surface Mount Cabinet Dimensions

Tub ID			Frame OD	
Width	Height	Depth	Width	Height
14" (356mm)	28-7/8" (733mm)	3-7/8" (98mm)	14-1/4" (362mm)	29-1/8" (740mm)

THIS SPACE FOR ARCHITECT/ENGINEER APPROVAL

Due to continuing product improvement, the information contained in this document is subject to change without notice. All dimensions are ± 1/4" (6mm). Rev. 111119

CSSS-040100 Fire Extinguisher Cabinet, Surface Mounted, Stainless Steel



Shown with Oval model 10J-ABC fire extinguisher (sold separately).

Application: Surface mounted stainless steel cabinet for use with Oval Model 10J-ABC low-profile fire extinguisher (sold separately).

Mounting: Cabinet is surface mounted on wall (mounting hardware not included). Installation does not require cutting into or modifying wall, making it the best option for retrofit applications.

Accessibility: Cabinet complies with 4" (102mm) limit for protruding objects as required by the Americans with Disabilities Act, 2010 ADA Standards for Accessible Design, International Building Code and ANSI/ICC A117.1.

Cabinet: Fully welded 16 gauge stainless steel with a #4 polished finish.

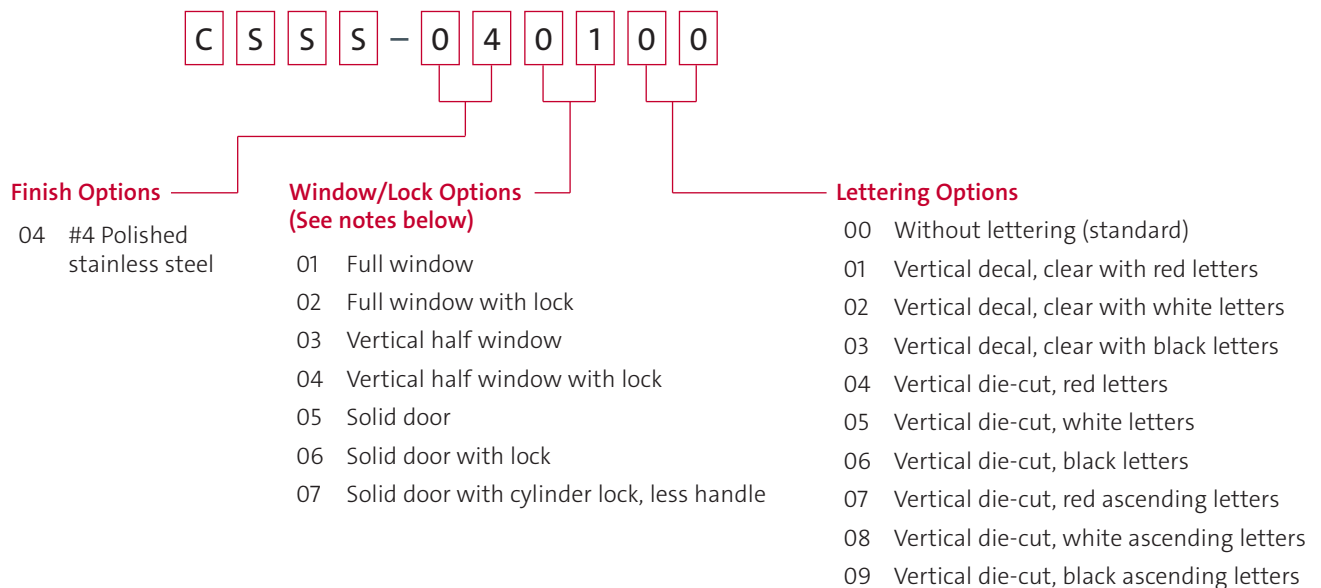
Tub: 22 gauge stainless steel tub.

Door: 16 gauge stainless steel door with continuous stainless steel piano hinge. Door has 1-1/4" (32mm) trim, (2) self-adjusting roller catches and black plastic recessed handle. Door opens 180 degrees. Cabinet is reversible so handle can be on either left or right side.

Window/Lock: Furnished with full acrylic window and without lock as standard. See below for additional window and lock options.

Lettering: Furnished without lettering as standard. See below for lettering options.

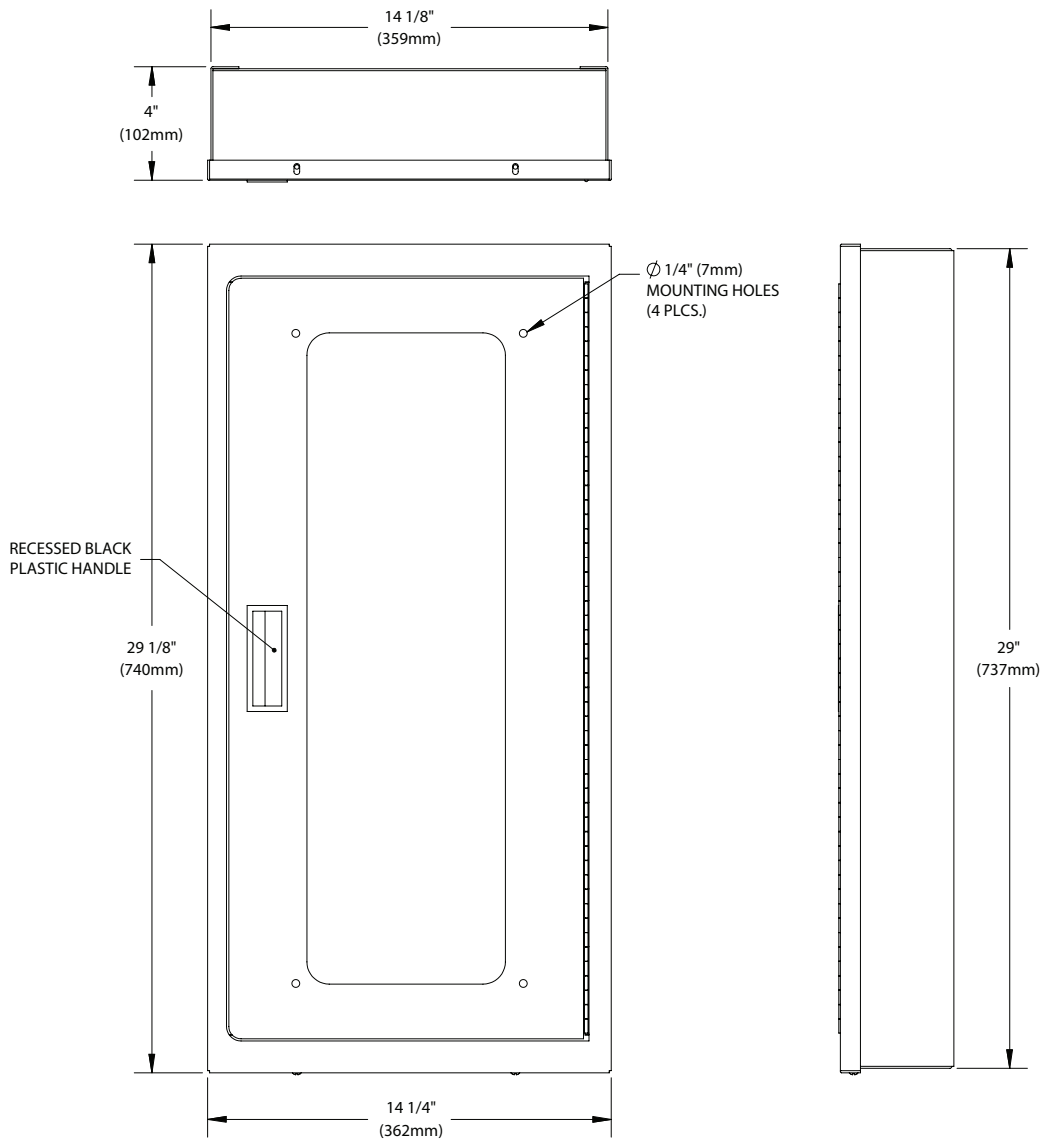
Ordering Information



Notes:

- Standard window is clear acrylic. For tempered glass window, add prefix "G" in place of "0" above.
- Lock permits opening in case of fire by pulling firmly. Breaking glass to open is not required.

CSSS-040100 Fire Extinguisher Cabinet, Surface Mounted, Stainless Steel



Surface Mount Cabinet Dimensions

Tub ID			Frame OD	
Width	Height	Depth	Width	Height
14" (356mm)	28-7/8" (733mm)	3-7/8" (98mm)	14-1/4" (362mm)	29-1/8" (740mm)

THIS SPACE FOR ARCHITECT/ENGINEER APPROVAL

Due to continuing product improvement, the information contained in this document is subject to change without notice. All dimensions are ± 1/4" (6mm). Rev. 111119

CRST-010100 Fire Extinguisher Cabinet, Recess Mounted, Powder Coated Steel



Shown with Oval model 10J-ABC fire extinguisher (sold separately).

Application: Recess mounted powder coated steel cabinet for use with Oval Model 10J-ABC low-profile fire extinguisher (sold separately).

Mounting: Cabinet is recess mounted in wall (mounting hardware not included). **Cabinet fits into standard 3-5/8" (92mm) partition wall, making it ideal for both new construction and retrofit applications.**

Accessibility: Cabinet projects 5/8" (16mm) from wall surface, complying with the maximum limit for protruding objects as required by the Americans with Disabilities Act, 2010 ADA Standards for Accessible Design, International Building Code and ANSI/ICC A117.1. Recessed cabinet maximizes clear space in pathways and means of egress.

Cabinet: Fully welded 16 gauge cold rolled steel with a white powder coated finish as standard. Additional colors available as option (see below).

Tub: 22 gauge tub with white powder coated finish.

Door: 16 gauge steel door with continuous steel piano hinge. Door has 1-1/4" (32mm) trim, (2) self-adjusting roller catches and black plastic recessed handle. Door opens 180 degrees. Cabinet is reversible so handle can be on either left or right side.

Window/Lock: Furnished with full acrylic window and no lock as standard. See below for additional window and lock options.

Lettering: Furnished without lettering as standard. See below for lettering options.

Ordering Information

C R S T - 0 1 0 1 0 0

Finish Options

- 01 White steel
- 02 Black steel
- 03 Red steel

Window/Lock Options
(See notes below)

- 01 Full window
- 02 Full window with lock
- 03 Vertical half window
- 04 Vertical half window with lock
- 05 Solid door
- 06 Solid door with lock
- 07 Solid door with cylinder lock, less handle

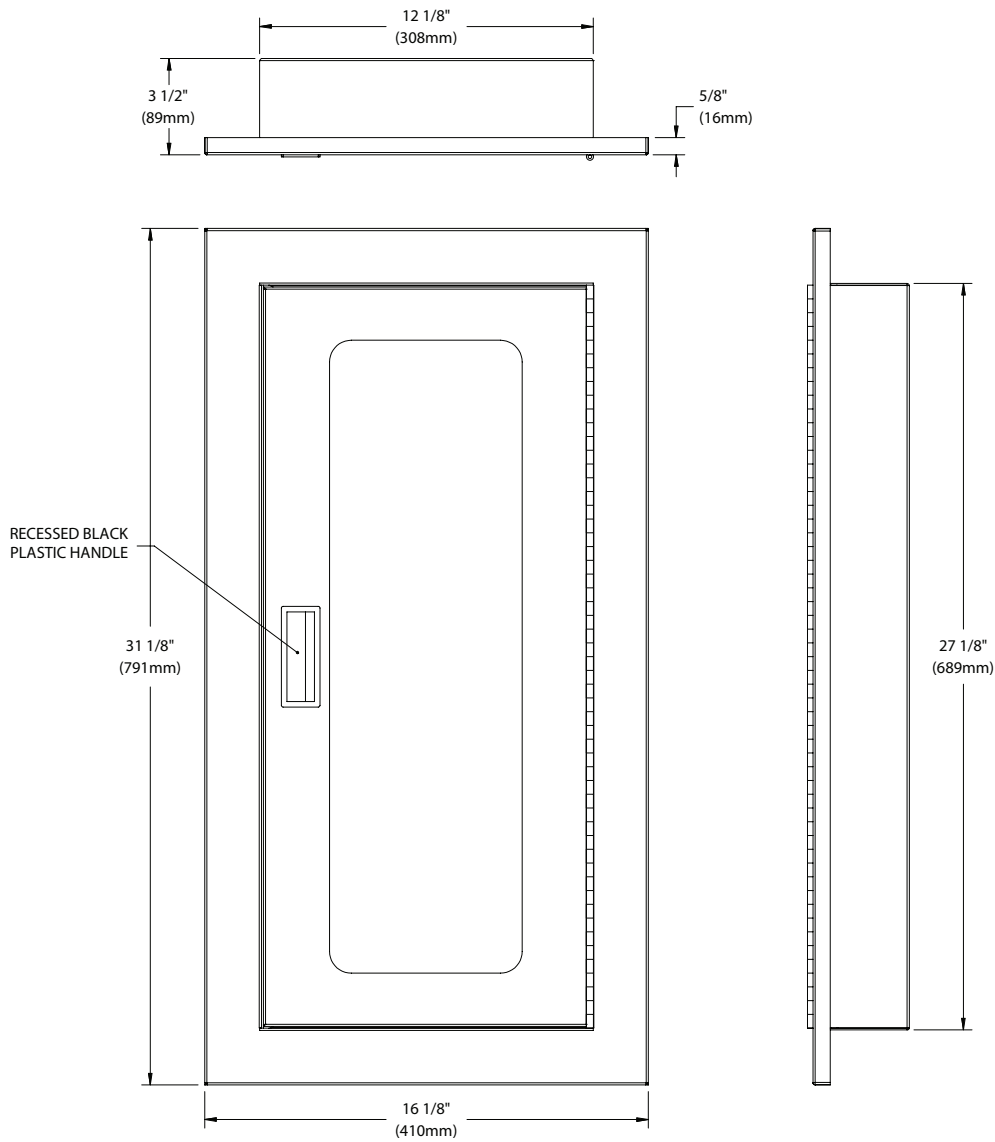
Lettering Options

- 00 Without lettering (standard)
- 01 Vertical decal, clear with red letters
- 02 Vertical decal, clear with white letters
- 03 Vertical decal, clear with black letters
- 04 Vertical die-cut, red letters
- 05 Vertical die-cut, white letters
- 06 Vertical die-cut, black letters
- 07 Vertical die-cut, red ascending letters
- 08 Vertical die-cut, white ascending letters
- 09 Vertical die-cut, black ascending letters

Notes:

1. Standard window is clear acrylic. For tempered glass window, add prefix "G" in place of "0" above.
2. Lock permits opening in case of fire by pulling firmly. Breaking glass to open is not required.

CRST-010100 Fire Extinguisher Cabinet, Recess Mounted, Powder Coated Steel



Recess Mount Cabinet Dimensions

Trim	Tub ID			Frame OD		Recommended Wall Opening		
	Width	Height	Depth	Width	Height	Width	Height	Depth
5/8" (16mm)	12" (305mm)	27" (686mm)	3-1/4" (83mm)	16-1/8" (410mm)	31-1/8" (791mm)	13" (330mm)	28" (711mm)	3-1/4" (83mm)

THIS SPACE FOR ARCHITECT/ENGINEER APPROVAL

Due to continuing product improvement, the information contained in this document is subject to change without notice. All dimensions are ± 1/4" (6mm). Rev. 111119

CRSS-040100 Fire Extinguisher Cabinet, Recess Mounted, Stainless Steel



Shown with Oval model 10J-ABC fire extinguisher (sold separately).

Application: Recess mounted stainless steel cabinet for use with Oval Model 10J-ABC low-profile fire extinguisher (sold separately).

Mounting: Cabinet is recess mounted in wall (mounting hardware not included). **Cabinet fits into standard 3-5/8" (92mm) partition wall, making it ideal for both new construction and retrofit applications.**

Accessibility: Cabinet projects 5/8" (16mm) from wall surface, complying with the maximum limit for protruding objects as required by the Americans with Disabilities Act, 2010 ADA Standards for Accessible Design, International Building Code and ANSI/ICC A117.1. Recessed cabinet maximizes clear space in pathways and means of egress.

Cabinet: Fully welded 16 gauge stainless steel with a #4 polished finish.

Tub: 22 gauge tub with white powder coated finish.

Door: 16 gauge stainless steel door with continuous stainless steel piano hinge. Door has 1-1/4" (32mm) trim, (2) self-adjusting roller catches and black plastic recessed handle. Door opens 180 degrees. Cabinet is reversible so handle can be on either left or right side.

Window/Lock: Furnished with clear acrylic window and without lock as standard. See below for additional window and lock options.

Lettering: Furnished without lettering as standard. See below for lettering options.

Ordering Information

C R S S - 0 4 0 1 0 0

Finish Options

04 #4 Polished stainless steel

Window/Lock Options (See notes below)

- 01 Full window
- 02 Full window with lock
- 03 Vertical half window
- 04 Vertical half window with lock
- 05 Solid door
- 06 Solid door with lock
- 07 Solid door with cylinder lock, less handle

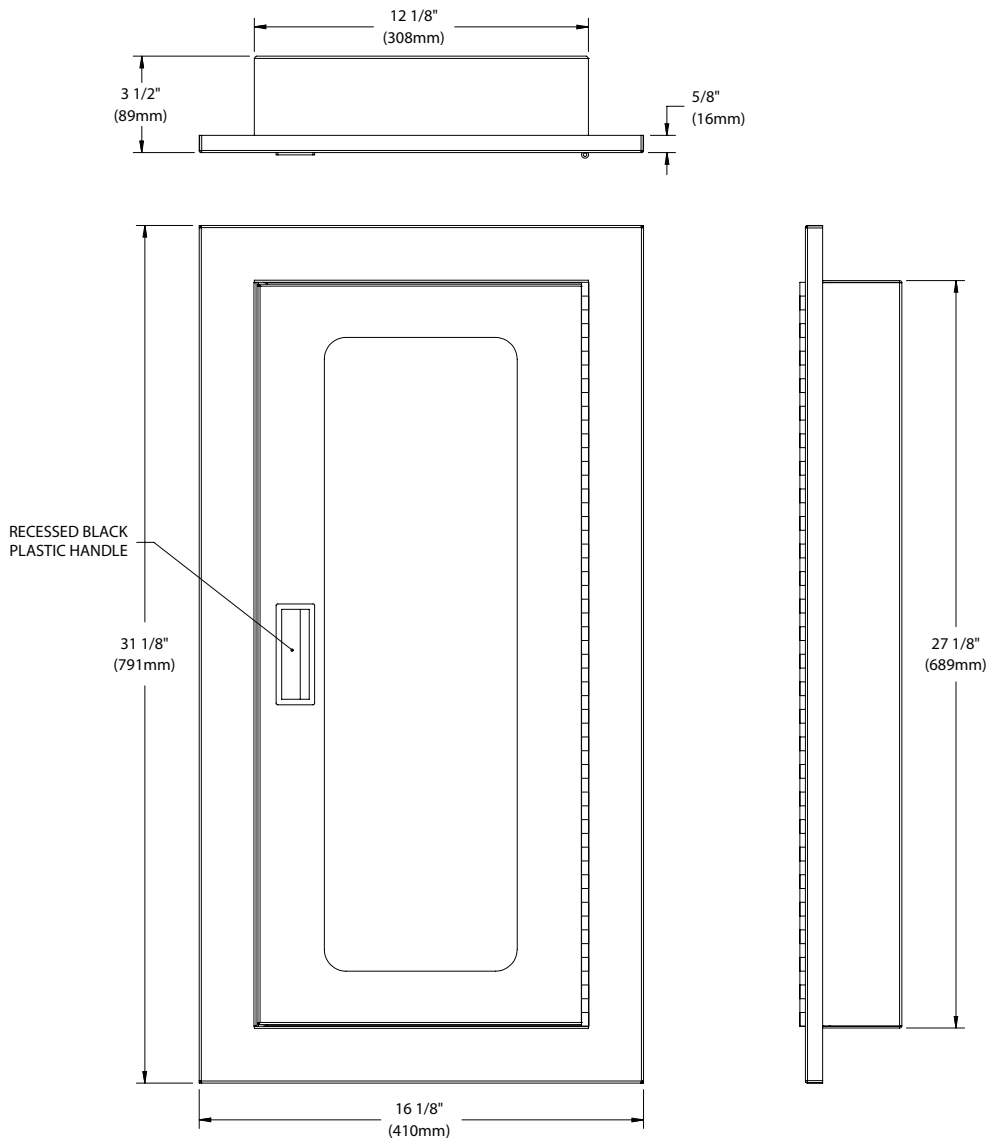
Lettering Options

- 00 Without lettering (standard)
- 01 Vertical decal, clear with red letters
- 02 Vertical decal, clear with white letters
- 03 Vertical decal, clear with black letters
- 04 Vertical die-cut, red letters
- 05 Vertical die-cut, white letters
- 06 Vertical die-cut, black letters
- 07 Vertical die-cut, red ascending letters
- 08 Vertical die-cut, white ascending letters
- 09 Vertical die-cut, black ascending letters

Notes:

1. Standard window is clear acrylic. For tempered glass window, add prefix "G" in place of "0" above.
2. Lock permits opening in case of fire by pulling firmly. Breaking glass to open is not required.

CRSS-040100 Fire Extinguisher Cabinet, Recess Mounted, Stainless Steel



Recess Mount Cabinet Dimensions

Trim	Tub ID			Frame OD		Recommended Wall Opening		
	Width	Height	Depth	Width	Height	Width	Height	Depth
5/8" (16mm)	12" (305mm)	27" (686mm)	3-1/4" (83mm)	16-1/8" (410mm)	31-1/8" (791mm)	13" (330mm)	28" (711mm)	3-1/4" (83mm)

THIS SPACE FOR ARCHITECT/ENGINEER APPROVAL

Due to continuing product improvement, the information contained in this document is subject to change without notice. All dimensions are ± 1/4" (6mm). Rev. 111119

CRFRST-010100 Fire Extinguisher Cabinet, Recess Mounted, Fire-Rated Construction, Powder Coated Steel



Shown with Oval model 10J-ABC fire extinguisher (sold separately).

Application: Recess mounted powder coated steel cabinet for use with Oval Model 10J-ABC low-profile fire extinguisher (sold separately). Cabinet is rated for use in 2-hour fire-rated walls.

Mounting: Cabinet is recess mounted in wall (mounting hardware not included). **Cabinet fits into standard 3-5/8" (92mm) partition wall, making it ideal for both new construction and retrofit applications.**

Accessibility: Cabinet projects 5/8" (16mm) from wall surface, complying with the maximum limit for protruding objects as required by the Americans with Disabilities Act, 2010 ADA Standards for Accessible Design, International Building Code and ANSI/ICC A117.1. Recessed cabinet maximizes clear space in pathways and means of egress.

Cabinet: Fully welded 16 gauge cold rolled steel with a powder coated finish as standard. Additional colors available as option (see below).

Fire-Rated Construction: Cabinet is wrapped with 5/8" (16mm) thick Type X gypsum drywall and encased in a galvanized steel shell. Cabinets are rated and marked by Intertek/Warnock Hersey.

Tub: 22 gauge tub with white powder coated finish.

Door: 16 gauge steel door with continuous steel piano hinge. Door has 1-1/4" (32mm) trim, (2) self-adjusting roller catches and black plastic recessed handle. Door opens 180 degrees. Cabinet is reversible so handle can be on either left or right side.

Window/Lock: Furnished with full acrylic window and without lock as standard. See below for additional window and lock options.

Lettering: Furnished without lettering as standard. See below for lettering options.

Ordering Information



Finish Options

- 01 White steel
- 02 Black steel
- 03 Red steel

Window/Lock Options (See notes below)

- 01 Full window
- 02 Full window with lock
- 03 Vertical half window
- 04 Vertical half window with lock
- 05 Solid door
- 06 Solid door with lock
- 07 Solid door with cylinder lock, less handle

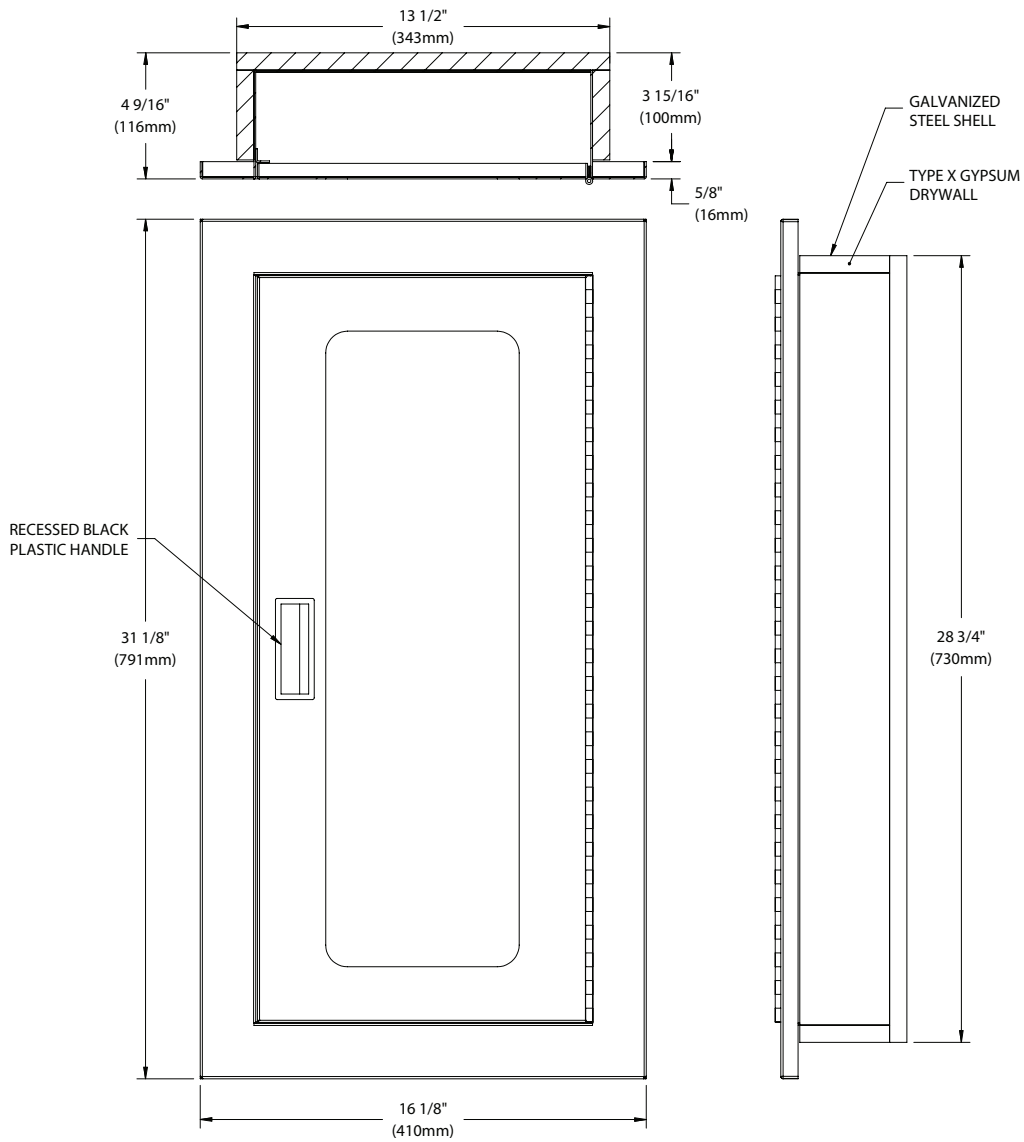
Lettering Options

- 00 Without lettering (standard)
- 01 Vertical decal, clear with red letters
- 02 Vertical decal, clear with white letters
- 03 Vertical decal, clear with black letters
- 04 Vertical die-cut, red letters
- 05 Vertical die-cut, white letters
- 06 Vertical die-cut, black letters
- 07 Vertical die-cut, red ascending letters
- 08 Vertical die-cut, white ascending letters
- 09 Vertical die-cut, black ascending letters

Notes:

1. Standard window is clear acrylic. For tempered glass window, add prefix "G" in place of "0" above.
2. Lock permits opening in case of fire by pulling firmly. Breaking glass to open is not required.

CRFRST-010100 Fire Extinguisher Cabinet, Recess Mounted, Fire-Rated Construction, Powder Coated Steel



Recess Mount Cabinet Dimensions

Trim	Tub ID			Frame OD		Recommended Wall Opening		
	Width	Height	Depth	Width	Height	Width	Height	Depth
5/8" (16mm)	12" (305mm)	27" (686mm)	3-1/4" (83mm)	16-1/8" (410mm)	31-1/8" (791mm)	14" (356mm)	30" (762mm)	3-3/4" (95mm)

THIS SPACE FOR ARCHITECT/ENGINEER APPROVAL

Due to continuing product improvement, the information contained in this document is subject to change without notice. All dimensions are ± 1/4" (6mm). Rev. 111119

CRFRSS-040100 Fire Extinguisher Cabinet, Recess Mounted, Fire-Rated Construction, Stainless Steel



Shown with Oval model 10J-ABC fire extinguisher (sold separately).

Application: Recess mounted stainless steel cabinet for use with Oval Model 10J-ABC low-profile fire extinguisher (sold separately). Cabinet is rated for use in 2-hour fire-rated walls.

Mounting: Cabinet is recess mounted in wall (mounting hardware not included). **Cabinet fits into standard 3-5/8" (92mm) partition wall, making it ideal for both new construction and retrofit applications.**

Accessibility: Cabinet projects 5/8" (16mm) from wall surface, complying with the maximum limit for protruding objects as required by the Americans with Disabilities Act, 2010 ADA Standards for Accessible Design, International Building Code and ANSI/ICC A117.1. Recessed cabinet maximizes clear space in pathways and means of egress.

Cabinet: Fully welded 16 gauge stainless steel with a #4 polished finish.

Fire-Rated Cabinet: Cabinet is wrapped with 5/8" (16mm) thick Type X gypsum drywall and encased in a galvanized steel shell. Cabinets are rated and marked by Intertek/Warnock Hersey.

Tub: 22 gauge tub with white powder coated finish.

Door: 16 gauge stainless steel door with continuous stainless steel piano hinge. Door has 1-1/4" (32mm) trim, (2) self-adjusting roller catches and black plastic recessed handle. Door opens 180 degrees. Cabinet is reversible so handle can be on either left or right side.

Window/Lock: Furnished with clear acrylic window and without lock as standard. See below for additional window and lock options.

Lettering: Furnished without lettering as standard. See below for lettering options.

Ordering Information



Finish Options

- 04 #4 Polished stainless steel

Window/Lock Options (See notes below)

- 01 Full window
- 02 Full window with lock
- 03 Vertical half window
- 04 Vertical half window with lock
- 05 Solid door
- 06 Solid door with lock
- 07 Solid door with cylinder lock, less handle

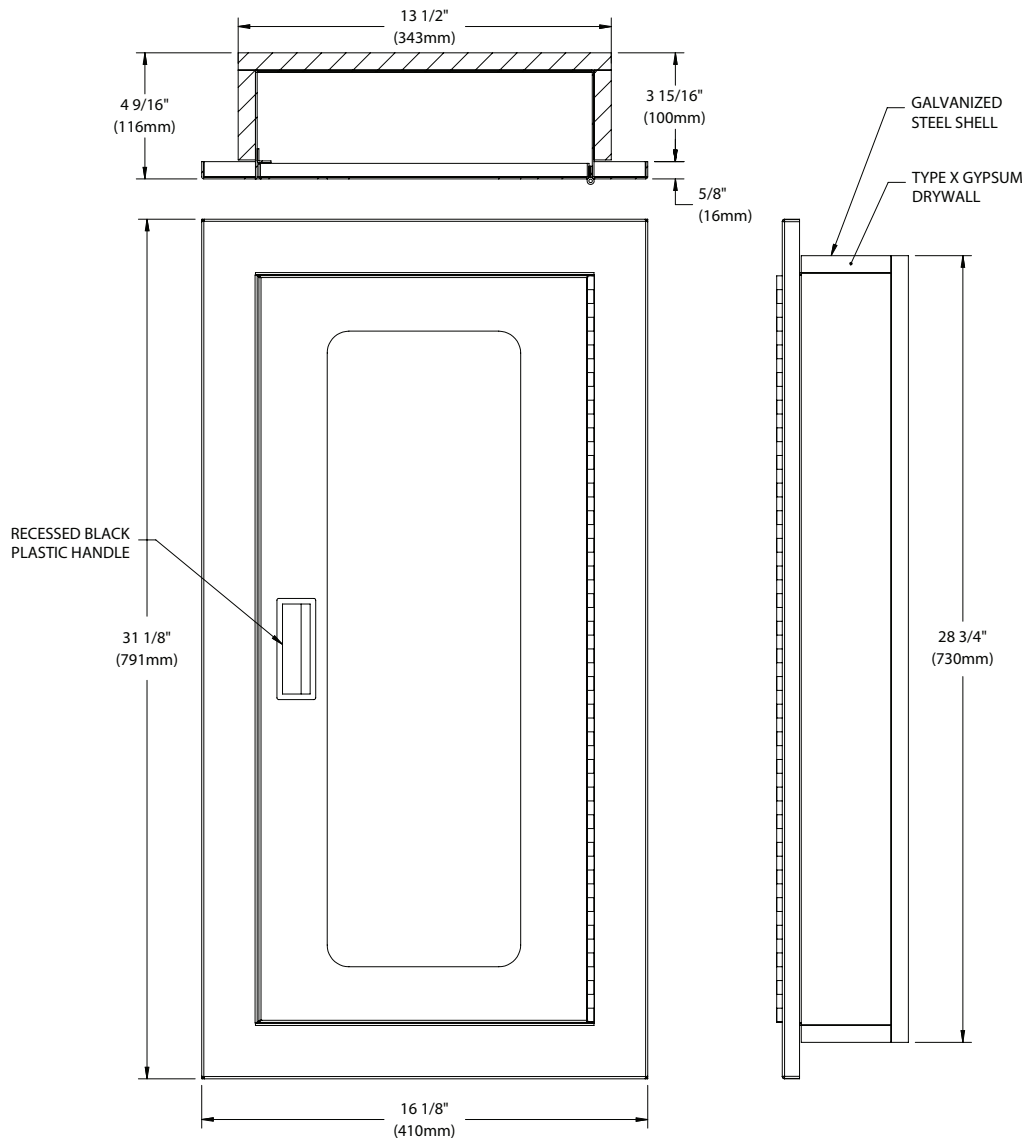
Lettering Options

- 00 Without lettering (standard)
- 01 Vertical decal, clear with red letters
- 02 Vertical decal, clear with white letters
- 03 Vertical decal, clear with black letters
- 04 Vertical die-cut, red letters
- 05 Vertical die-cut, white letters
- 06 Vertical die-cut, black letters
- 07 Vertical die-cut, red ascending letters
- 08 Vertical die-cut, white ascending letters
- 09 Vertical die-cut, black ascending letters

Notes:

1. Standard window is clear acrylic. For tempered glass window, add prefix "G" in place of "0" above.
2. Lock permits opening in case of fire by pulling firmly. Breaking glass to open is not required.

CRFRSS-040100 Fire Extinguisher Cabinet, Recess Mounted, Fire-Rated Construction, Stainless Steel



Recess Mount Cabinet Dimensions

Trim	Tub ID			Frame OD		Recommended Wall Opening		
	Width	Height	Depth	Width	Height	Width	Height	Depth
5/8" (16mm)	12" (305mm)	27" (686mm)	3-1/4" (83mm)	16-1/8" (410mm)	31-1/8" (791mm)	14" (356mm)	30" (762mm)	3-3/4" (95mm)

THIS SPACE FOR ARCHITECT/ENGINEER APPROVAL

Due to continuing product improvement, the information contained in this document is subject to change without notice. All dimensions are ± 1/4" (6mm). Rev. 111119

CSLRST-010700 Fire Extinguisher Cabinet, Surface Mounted, Ligature-Resistant



Application: Surface mounted ligature-resistant powder coated steel cabinet for use with Oval Model 10J-ABC low-profile fire extinguisher (sold separately).

Mounting: Cabinet is surface mounted on wall (mounting hardware not included). Installation does not require cutting into or modifying wall, making it the best option for retrofit applications.

Ligature Resistance: Cabinet is designed to eliminate all potential points of attachment. Sides, top and bottom of cabinet are sloped. Corners are welded and ground smooth. Cabinet has solid door with keyed cylinder lock and without handle.

Cabinet: Fully welded 16 gauge cold rolled steel with a white powder coated finish as standard. Additional colors available as option (see below).

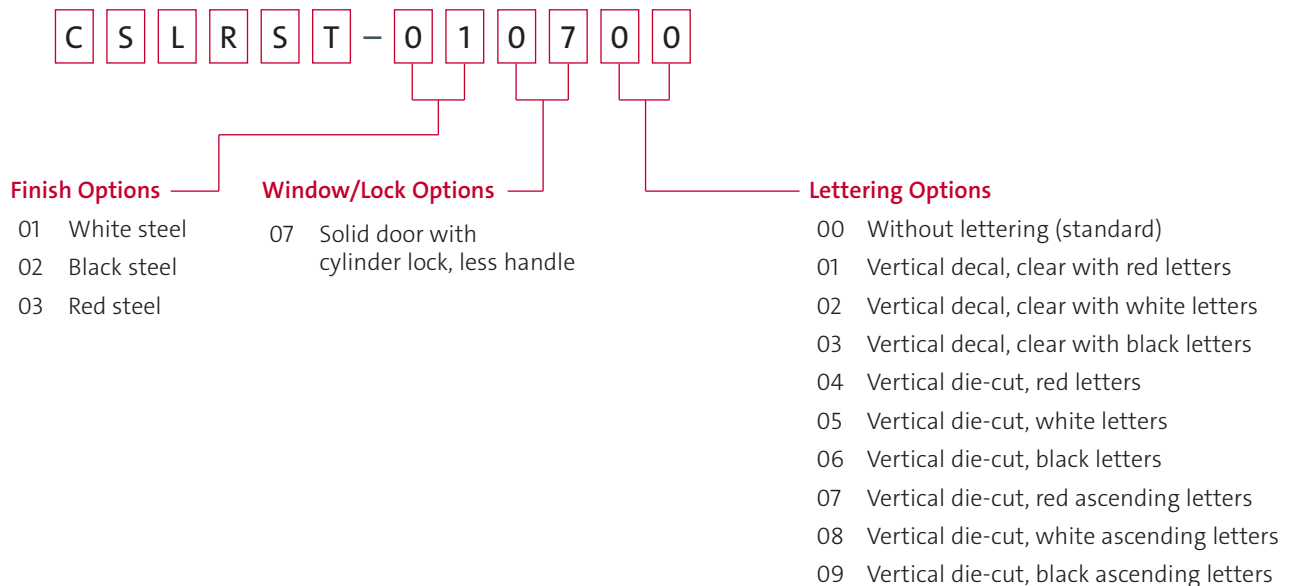
Tub: 22 gauge tub with white powder coated finish.

Door: 16 gauge steel solid door attached with continuous steel piano hinge. Door has welded reinforcement, (2) self-adjusting roller catches and does not have handle. Door opens 180 degrees. Cabinet is reversible so lock can be on either left or right side.

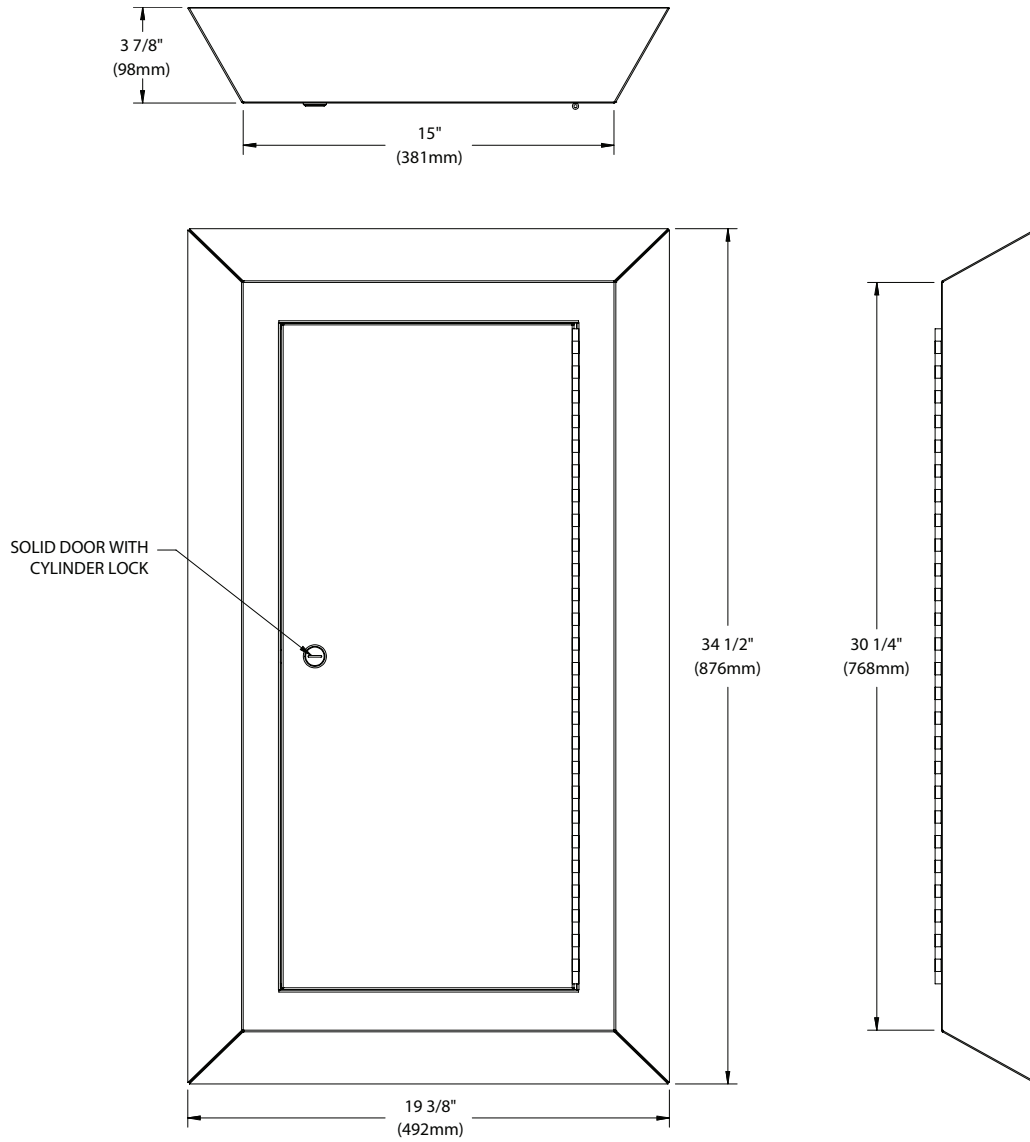
Window/Lock: Furnished without window and with keyed cylinder lock only.

Lettering: Furnished without lettering as standard. See below for lettering options.

Ordering Information



CSLRST-010700 Fire Extinguisher Cabinet, Surface Mounted, Ligature-Resistant



Surface Mount Cabinet Dimensions

Tub ID			Frame OD	
Width	Height	Depth	Width	Height
12" (305mm)	27" (686mm)	3-1/2" (89mm)	19-3/8" (492mm)	34-1/2" (876mm)

THIS SPACE FOR ARCHITECT/ENGINEER APPROVAL

Due to continuing product improvement, the information contained in this document is subject to change without notice. All dimensions are ± 1/4" (6mm). Rev. 111119

CRLRST-010700 Fire Extinguisher Cabinet, Recess Mounted, Ligature-Resistant



Application: Recess mounted ligature-resistant powder coated steel cabinet for use with Oval Model 10J-ABC low-profile fire extinguisher (sold separately).

Mounting: Cabinet is recess mounted in wall (mounting hardware not included). **Cabinet fits into standard 3-5/8" (92mm) partition wall, making it ideal for both new construction and retrofit applications.**

Accessibility: Cabinet projects 5/8" (16mm) from wall surface, complying with the maximum limit for protruding objects as required by the Americans with Disabilities Act, 2010 ADA Standards for Accessible Design, International Building Code and ANSI/ICC A117.1. Recessed cabinet maximizes clear space in pathways and means of egress.

Ligature Resistance: Cabinet is designed to eliminate all potential points of attachment. Sides, top and bottom of cabinet are sloped. Corners are welded and ground smooth. Cabinet has solid door with keyed cylinder lock and without handle.

Cabinet: Fully welded 16 gauge cold rolled steel with a white powder coated finish as standard. Additional colors available as option (see below).

Tub: 22 gauge tub with white powder coated finish.

Door: 16 gauge steel door attached with continuous steel piano hinge. Door has welded reinforcement, (2) self-adjusting roller catches and does not have handle. Door opens 180 degrees. Cabinet is reversible so lock can be on either left or right side.

Window/Lock: Furnished without window and with keyed cylinder lock only.

Lettering: Furnished without lettering as standard. See below for lettering options.

Ordering Information



Finish Options

- 01 White steel
- 02 Black steel
- 03 Red steel

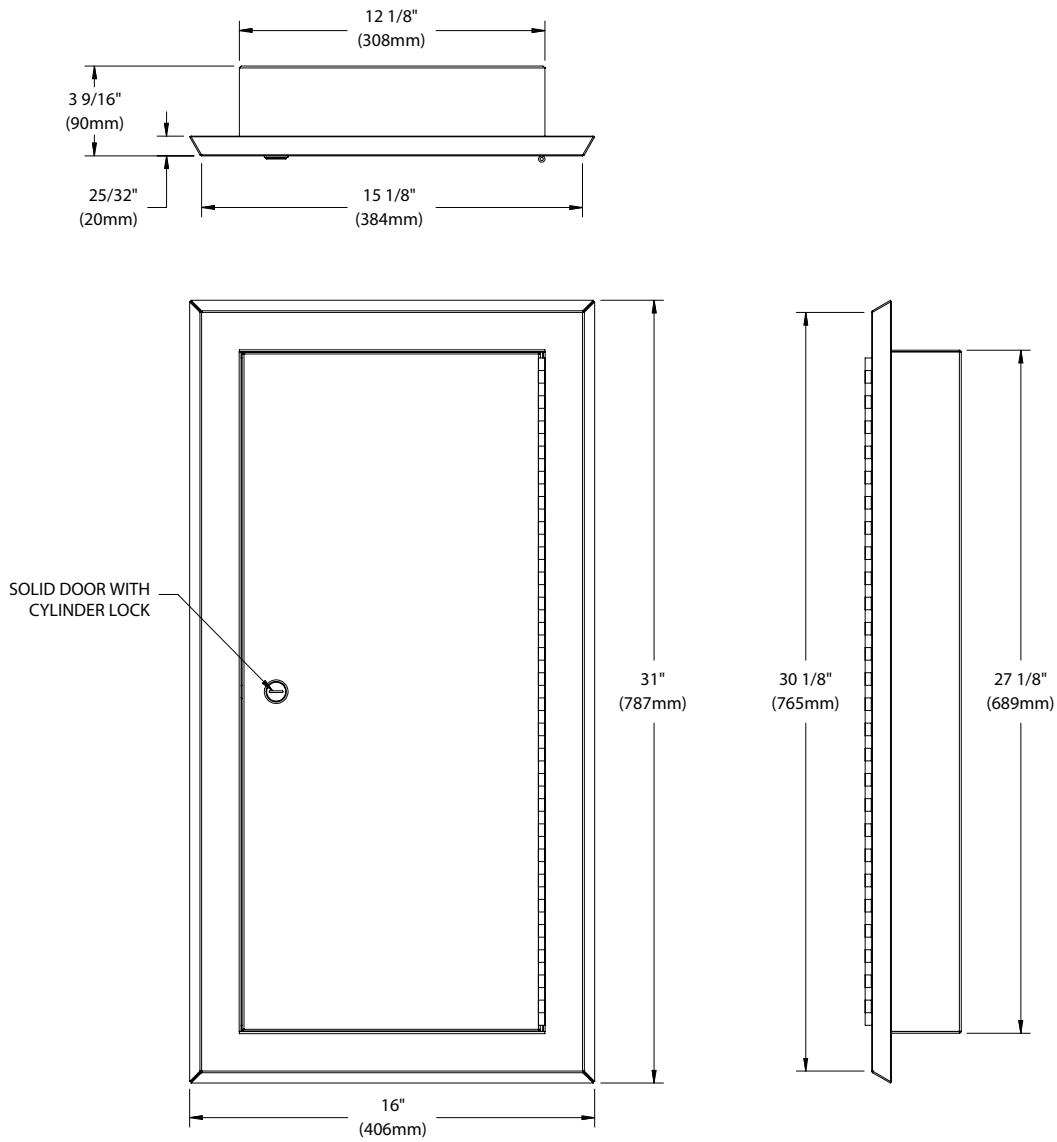
Window/Lock Options

- 07 Solid door with cylinder lock, less handle

Lettering Options

- 00 Without lettering (standard)
- 01 Vertical decal, clear with red letters
- 02 Vertical decal, clear with white letters
- 03 Vertical decal, clear with black letters
- 04 Vertical die-cut, red letters
- 05 Vertical die-cut, white letters
- 06 Vertical die-cut, black letters
- 07 Vertical die-cut, red ascending letters
- 08 Vertical die-cut, white ascending letters
- 09 Vertical die-cut, black ascending letters

CRLRST-010700 Fire Extinguisher Cabinet, Recess Mounted, Ligature-Resistant



Recess Mount Cabinet Dimensions

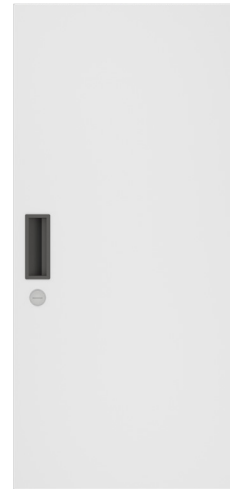
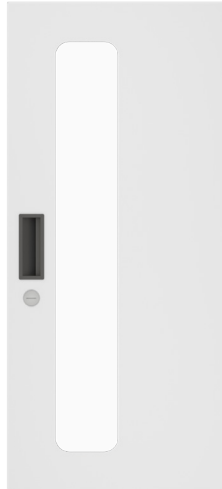
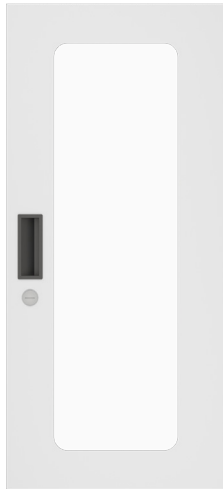
Trim	Tub ID			Frame OD		Recommended Wall Opening		
	Width	Height	Depth	Width	Height	Width	Height	Depth
25/32" (20mm)	12" (305mm)	27" (686mm)	3-1/2" (89mm)	16" (406mm)	31" (787mm)	13" (330mm)	28" (711mm)	3-1/4" (83mm)

THIS SPACE FOR ARCHITECT/ENGINEER APPROVAL

Due to continuing product improvement, the information contained in this document is subject to change without notice. All dimensions are ± 1/4" (6mm). Rev. 111119

Window/Lock Options

- 01 Full window
- 02 Full window with lock
- 03 Vertical half window
- 04 Vertical half window with lock
- 05 Solid door
- 06 Solid door with lock
- 07 Solid door with cylinder lock, less handle



Lettering Options

Vertical Decal

- 01 Vertical decal, clear with red letters
- 02 Vertical decal, clear with white letters
- 03 Vertical decal, clear with black letters

Vertical Diecut Lettering

- 04 Vertical die-cut, red letters
- 05 Vertical die-cut, white letters
- 06 Vertical die-cut, black letters

Vertical Diecut Lettering, Ascending

- 07 Vertical die-cut, red ascending letters
- 08 Vertical die-cut, white ascending letters
- 09 Vertical die-cut, black ascending letters





Oval Fire Products
630 635 5000 TELEPHONE
info@ovalfireproducts.com EMAIL
ovalfireproducts.com