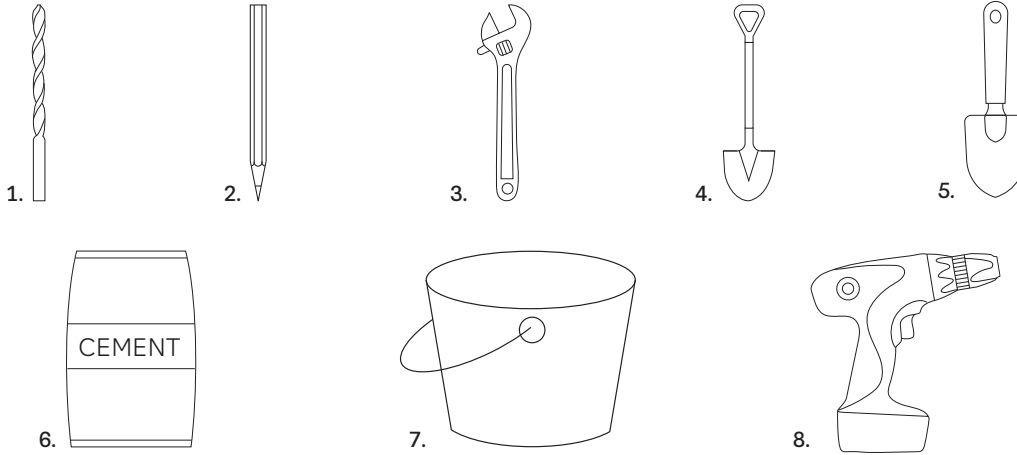
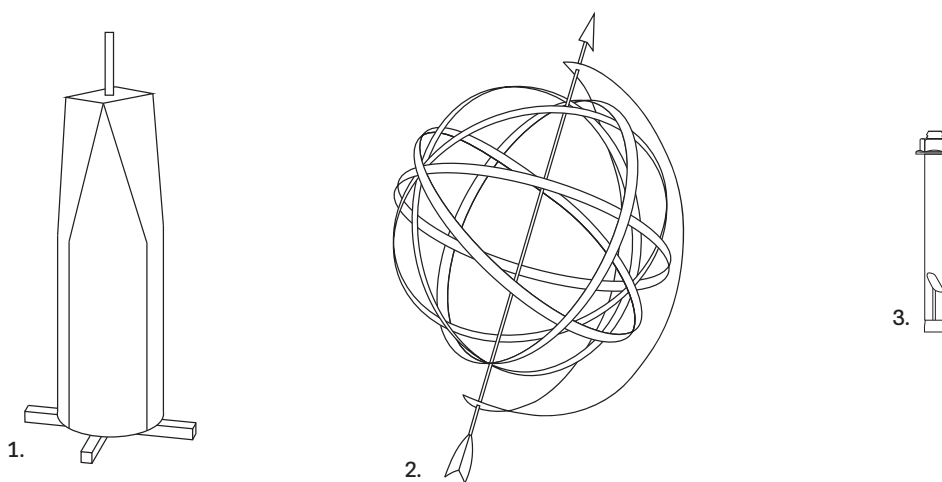


### EQUIPMENT NEEDED

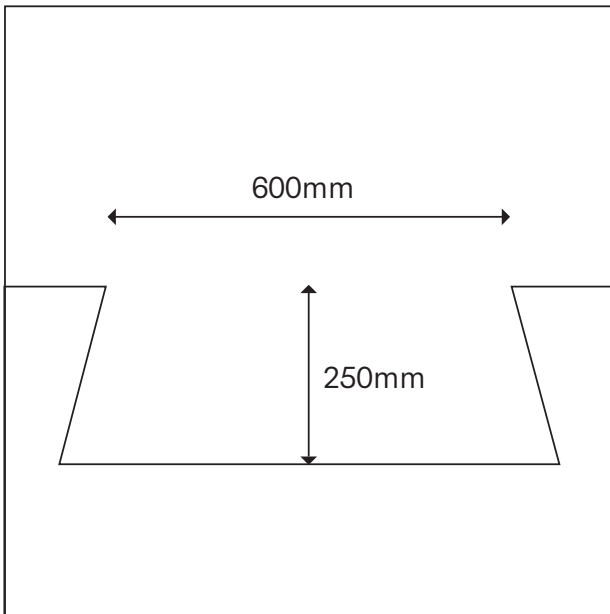


1. 120mm x 10mm Masonry Drill Bit | 2. Pencil | 3. Adjustable Wrench |  
4. Large Spade | 5. Small Spade | 6. 80-100kg Cement | 7. Large Bucket |  
8. Hammer Drill

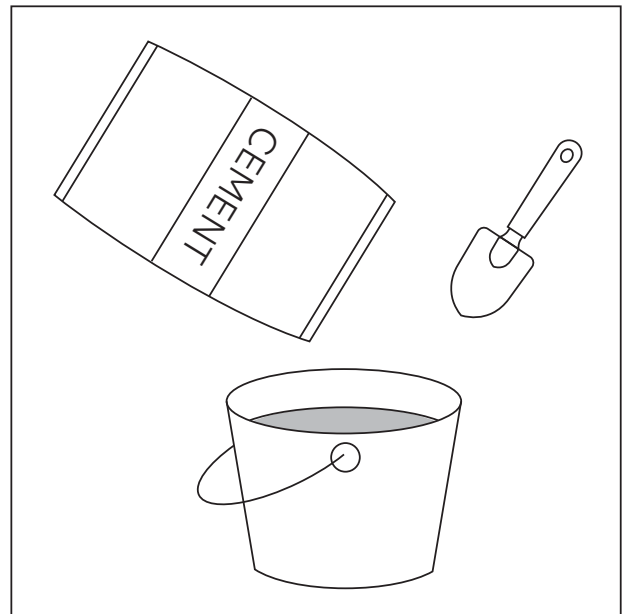
### SCULPTURE PARTS



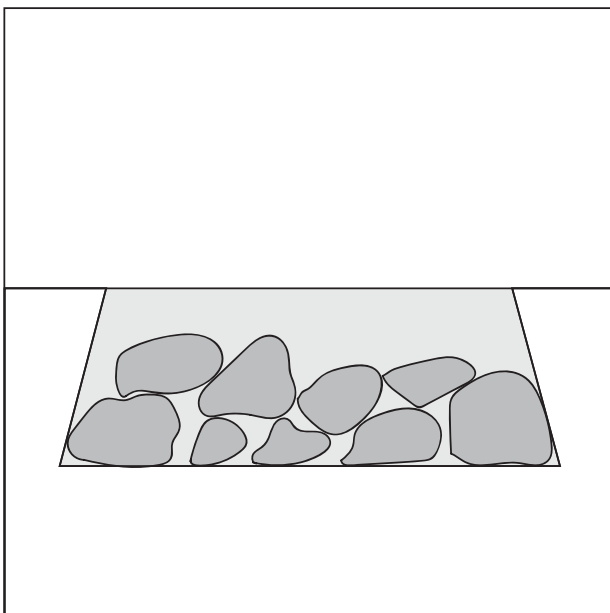
1. Base | 2. Sculpture | 3. 4x DynaBolt - M10 x 100mm



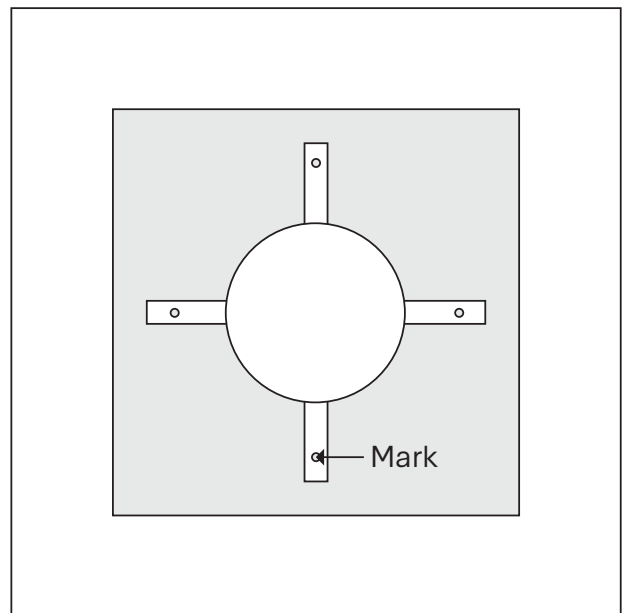
Dig a hole with a large spade 250mm deep and 600mm in diameter. We recommend digging the hole in a slight bell shape, as shown in diagram.



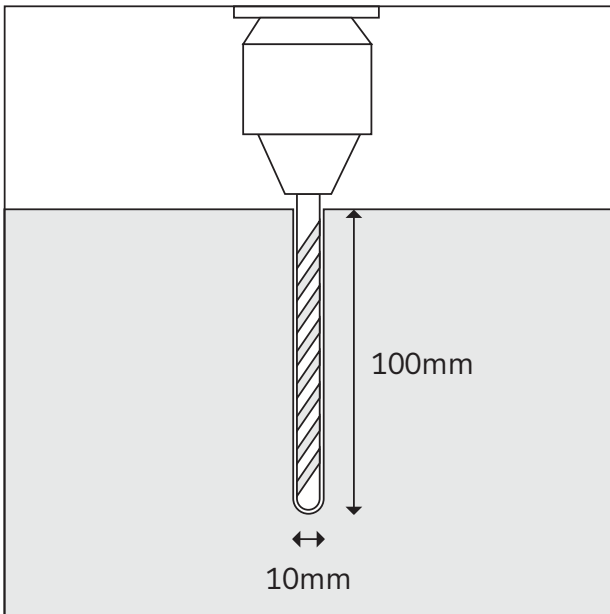
Prepare cement, following the bag's instructions. Use a large bucket and small spade to mix.



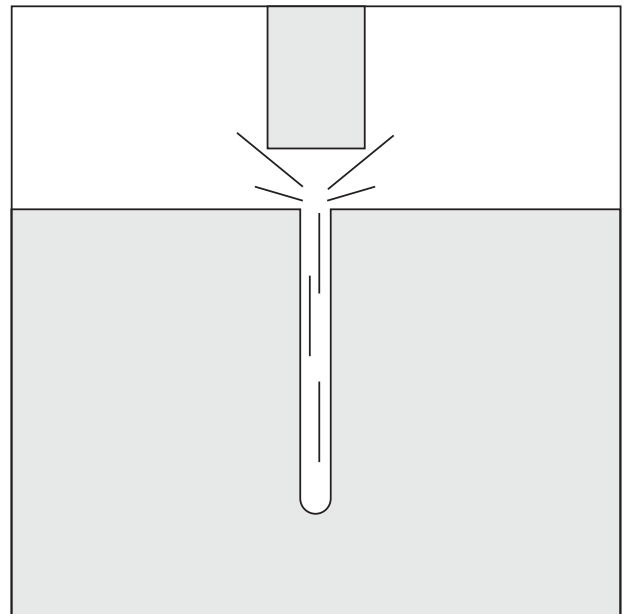
Fill hole with concrete. You may chose to add some rocks at the bottom to save on concrete.



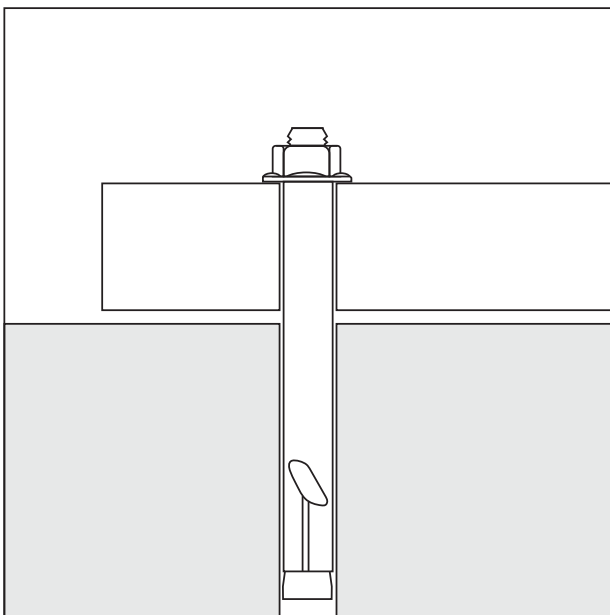
Once concrete is set, place the sculpture base on top of the concrete pad. With a pencil, mark where the four holes in the metal cross meet the concrete.



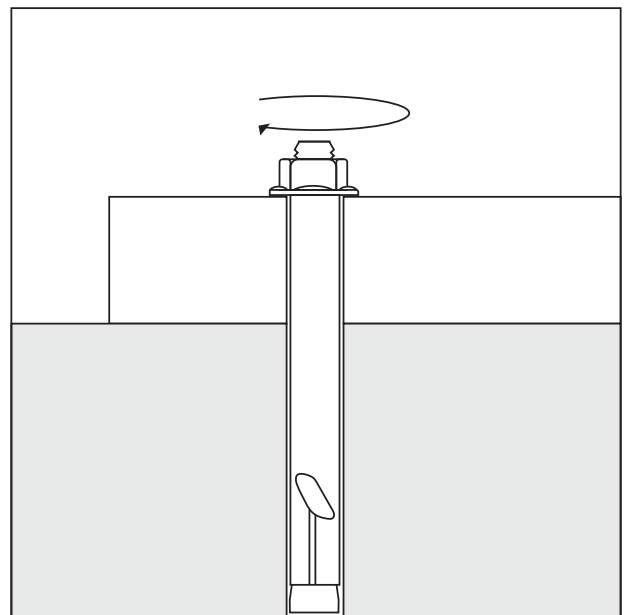
Remove the base. Drill four 10mm diameter holes, 100mm deep.



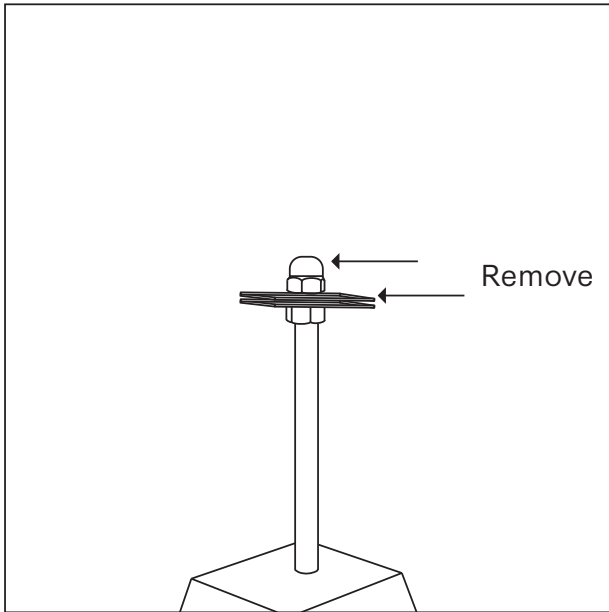
Remove debris by way of a vacuum, hand pump, compressed air, ect.



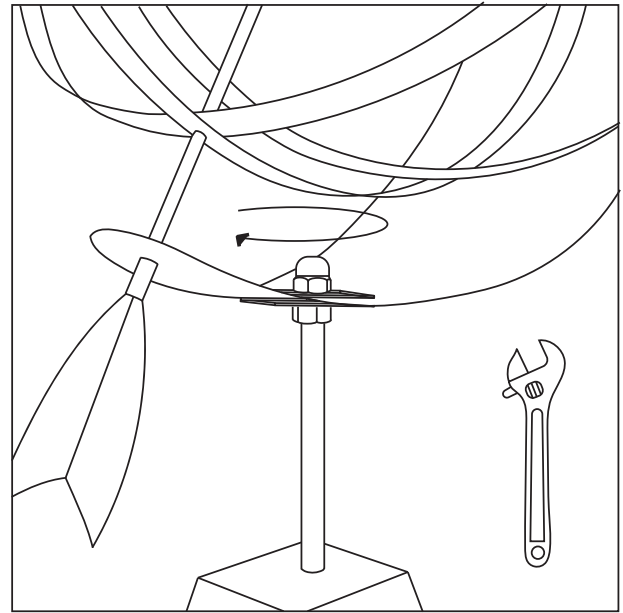
Place base back on concrete pad, lining up with the drilled holes. Insert the bolt and tighten with an adjustable spanner.



Continue tightening, allowing the sleeve to twist and pull down the base firmly into the concrete pad.



Once base is firmly set into the ground, it is time to place the metal sculpture on top. At the top of the base there is a 20mm shaft with a nut, two square washers (which are shaped to the cradle) and a dome nut. You need to remove the dome nut and one square washer.



Place the cradle and globe on top of the single square washer (you may need an extra pair of hands for this). Place the removed washer on top of the cradle, making sure it is a snug fit. Twist on the dome nut using the adjustable wrench, or a 30mm spanner, until tight.