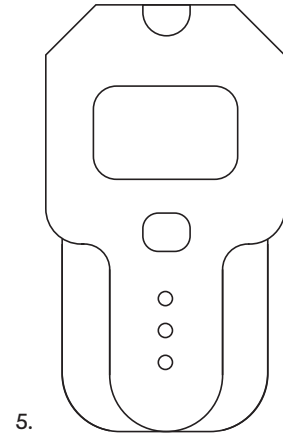
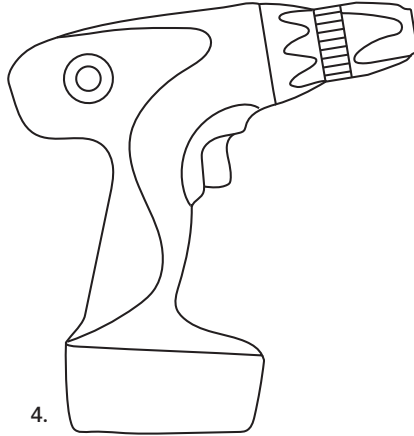
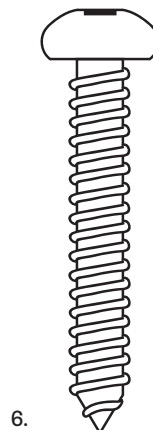
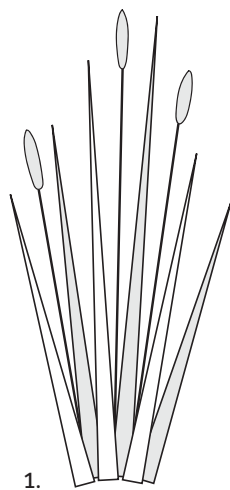


EQUIPMENT NEEDED

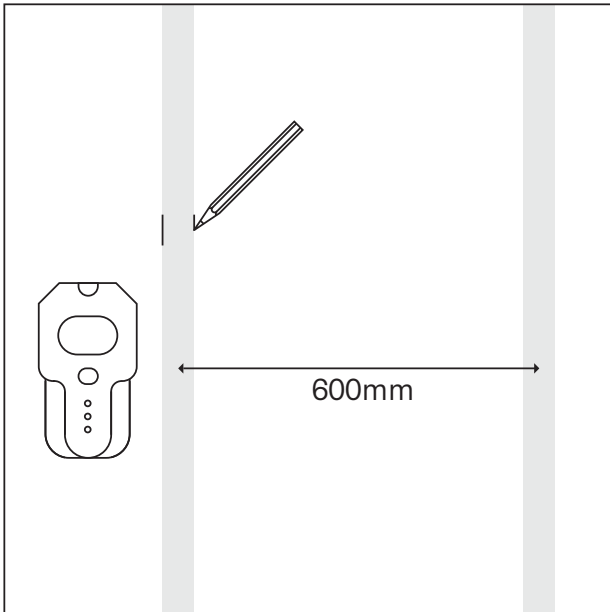


1. Pencil | 3. Square Drill Bit | 4. Drill | 5. Stud Finder (optional)

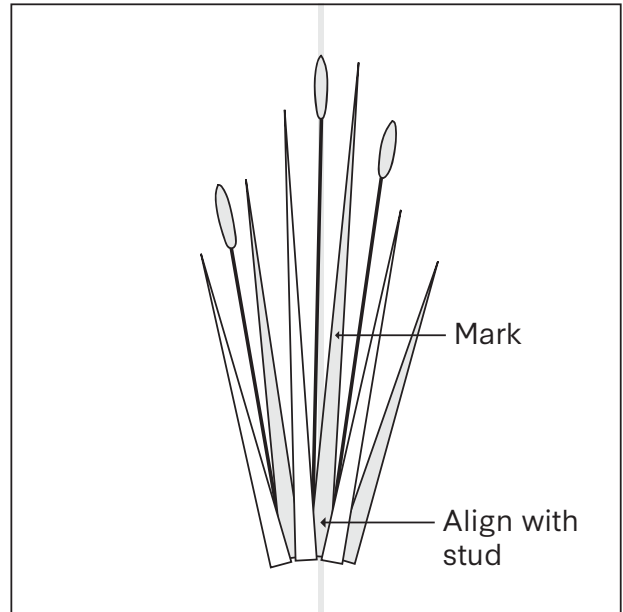
SCULPTURE PARTS



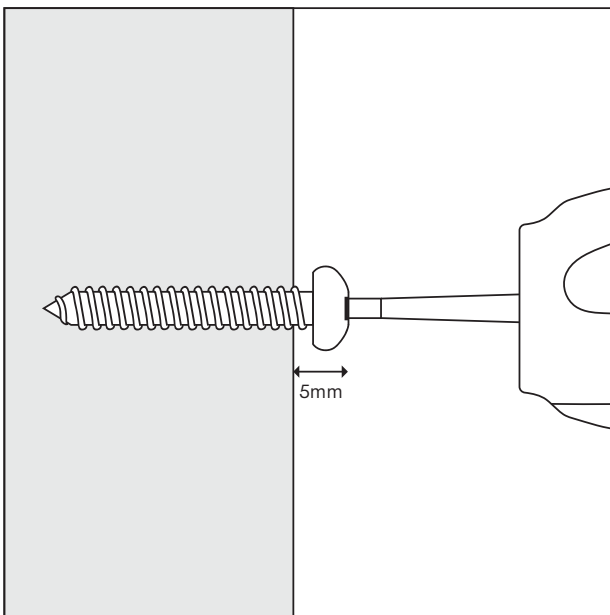
1. Bulrush Panel | 2. 2x Screws



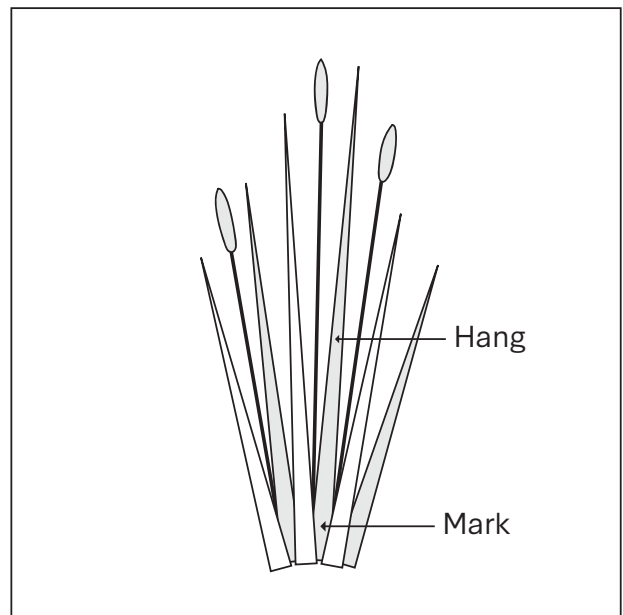
Using a Stud Finder, mark where the studs are in your wall around the area you want to mount the sculpture. If you do not have a Stud Finder, you can tap on the wall until you hear a 'muffled' sound.



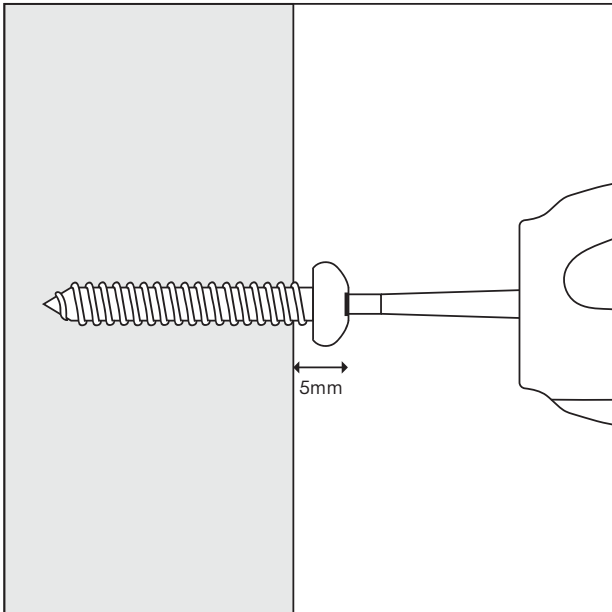
Hold the Bulrush Panel against the wall in the position you wish to instal it. Using a pencil, make a mark where the top hole on the back of the panel meets the wall.



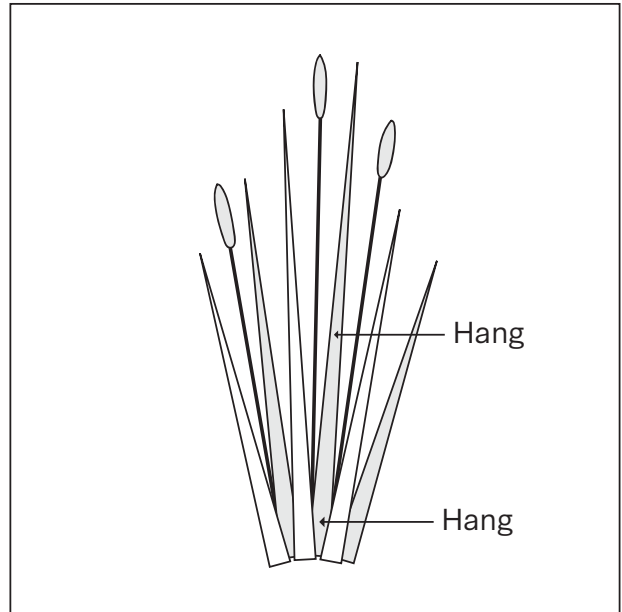
Remove the panel. Using a square drill bit, drill the the screw into the marked point on your wall, ensuring that the screw protrudes about 5mm out of the wall.



Hang the panel over the screw, now mark where the second hole on the back of the panel meets the wall. Ensure the panel is hanging straight.



Remove the panel. Drill the the second screw into the marked point on your wall, ensuring again that the screw protrudes about 5mm out of the wall.



Place the panel over both screws. Installation is complete.