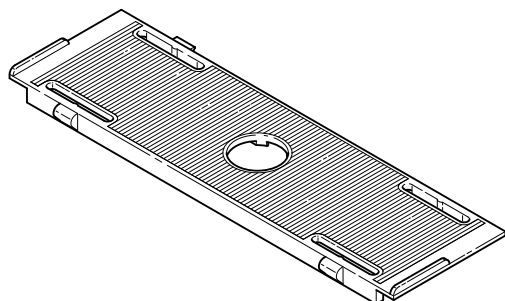
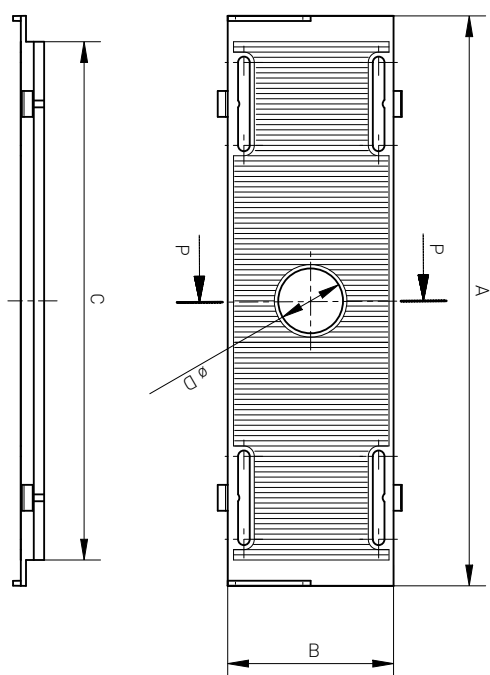



Podkładka wyrównawcza

Podkładka wyrównawcza
Compensating block
Cale de compensation
Уравнительная подкладка



PVC SYSTEM	-N°	
ALUPLAST 2000/7000/8000	70100000000	1000
ALUPLAST 4000/5000 (Frame/Sash)	70200000000	1000
ALUPLAST 4000/5000 (Flex)	73700000000	1000
ALUPLAST 4000/5000 (Smart)	70200000001	1000
ALUPLAST 5000 (Frame)	76900000000	250
ALUPLAST 7000 (Frame)	77000000000	1000
ALUPLAST 8000 (Frame)	76500000001	250

ALUPLAST 7000/8000 MULTIFALZ	76500000000	1000
AVANTGARDE 7000 (Flex)	72600000000	1000
BLUEVOLUTION 82 (Flex)	77200000000	1000
BLUEVOLUTION 82 (Smart)	77200000001	1000
BLUEVOLUTION 92 +3mm (Flex)	72100000001	500
BLUEVOLUTION 73 (Flex)	70400007301	1000
BLUEVOLUTION 73 +4mm	70400007300	1000
DECCO 60	75500000000	1000
DECCO 70 (Flex)	75600000000	1000
DECCO 70 (Smart)	75500000001	1000
DECCO Thermicco	75600000001	1000
DECCO 83	75600000002	1000
DECCO 83 (Smart)	75600000003	1000
DECCO 82 (Frame)	75600000004	1000
DECEUNINCK Z3000	70600000000	1000
GEALAN S3000	70800000000	1000
GEALAN S7000 IQ	70900000007	1000
GEALAN S7000/8000	70900000000	1000
GEALAN S7000/8000 (Flex)	70900000001	1000
GEALAN S7000/8000 +4mm	70900000005	500
GEALAN S9000	70900000002	500
INOUSIC ARCADE GK710	74000000000	500
INOUSIC ARCADE GK722	73900000000	500
INOUSIC ARCADE (GK738)	73800000000	500
INOUSIC EFORTE (GK084)	73800000002	500
INOUSIC EFORTE (GK284)	73800000001	500
INOUSIC EFORTE (GK184)	73800000003	500
INOUSIC PRESTIGE (GK276)	73600000002	500
INOUSIC PRESTIGE (GK076)	74700000000	1000
INOUSIC PRESTIGE (GK176)	73600000000	1000
INOUSIC PRESTIGE (GK376)	73600000001	1000
KBE 58	71100000000	1000
KBE 70	71200000000	1000
KBE 88	71000000000	1000
KÖMMERLING 70/ELEGANCE (Flex)	71500000000	1000
PROFINE 76	71500000001	1000
PROFINE 76 (Frame)	71500000002	500
PROFINE 76 (Smart)	71500000003	1000
PROFINE 76 RED	71500000005	1000
KÖMMERLING 88 PLUS	75700000000	1000
KÖMMERLING 88 PLUS (Frame)	75700000001	1000
KÖMMERLING ED	71300000000	1000
KÖMMERLING EF	71400000001	1000
KÖMMERLING EF (FLEX)	71400000000	1000
KÖMMERLING/KBE/TROCAL 88	71400000002	500
PLUSTEC 3-K	71700000000	1000
REHAU BASIC/ ED 60	71800000000	1000
REHAU BRILLANT/ED 70	71900000001	1000
REHAU BRILLANT/ED 70 (Flex)	73100000000	1000
REHAU BRILLANT/ED 70 (Smart)	71900000002	1000
REHAU GENE0/ ED 86 PLUS	71600000000	1000
REHAU SYNEGO	71600000001	1000
REHAU SYNEGO (Frame)	71600000002	1000
SALAMANDER 2D	72000000000	1000
SALAMANDER 3D/SL	72100000000	500
SCHÜCO CORONA AS60	73200000000	1000
SCHÜCO CORONA CT70	72300000000	1000
SCHÜCO CORONA CT70 (Flex)	74600000000	1000
SCHÜCO CORONA CT70 (Frame Flex)	72400000000	1000
SCHÜCO CORONA CT70 (Smart)	72300000001	1000
SCHÜCO CORONA SI 82/CAVA	72800000000	1000
SCHÜCO CORONA SI 82/CAVA (Frame)	72800000001	1000
SCHÜCO LIVING	72900000001	1000
SPECTUS FLEX TK 61 (Flex)	74200000000	1000
SPECTUS TK 71 (Flex)	74300000000	1000
TROCAL INNNOVA	72500000000	1000
TROCAL INNNOVA (Flex)	74800000000	1000
TROCAL 88 PLUS (Frame)	74800000001	1000
VEKA AL (Frame)	73500000002	500
VEKA AL/TL/PL (Flex)	73500000000	1000
VEKA SL/EL	73300000000	1000
VEKA SL82	73300000002	1000
VEKA SL82 + 5mm	73400000005	500
VEKA SL82 (Smart)	73300000003	1000
VEKA SL82 (Frame)	73300000001	500
VEKA TL/PL	73400000000	1000
VEKA TL/PL + 3mm (yellow)	73400000001	500
VEKA AL/TL/PL (Smart)	73500000001	1000
PROFIALIS 2500 (Flex)	74400000000	1000
PROFIALIS 3000	74500000000	1000
PROFIALIS 3000 Flex	74500000001	1000