

Adjustable Panel Hanger System -- Installation Instructions

General Conditions

Elements Aligned (EA's) Adjustable Panel Hanger System secures panels of virtually every type. Refer to the panel manufacturer's conditions and instructions for details regarding the storage and handling of the panels themselves.

Placement of Panel Hangers will not necessitate any changes to a project's flooring, ceiling, or MEP specifications. Coordination of schedules with these trades is all that is required.

All hardware and accessories mentioned in this Installation Manual are provided by Elements Aligned, with the exception of steel studs and panels.

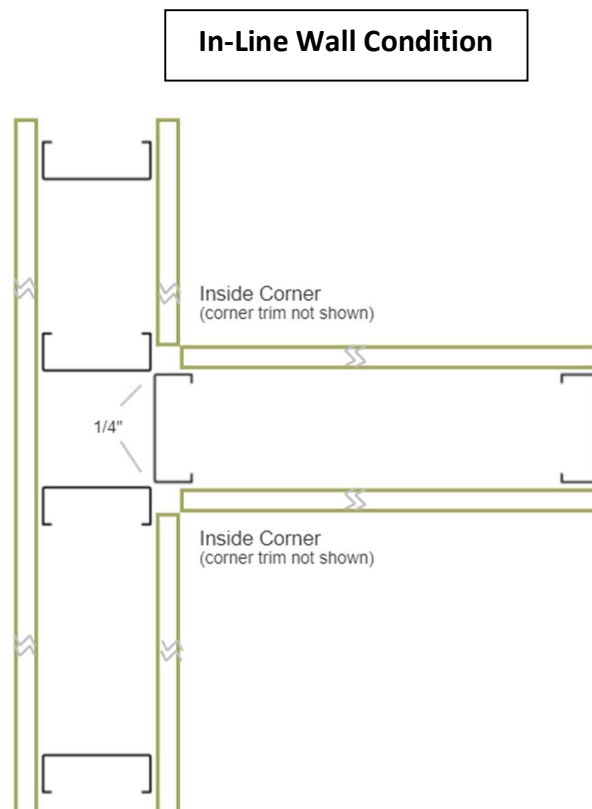
Wall Framing

EA Panel Hangers are designed to be installed on conventional 20g EQ steel studs or 20g structural steel studs at any time during the framing process. Studs should be spaced at 24" OC (i.e.-- the first stud from the corner placed at 23 3/8" from the finished face of its perpendicular wall). Studs may be placed at 16" if desired.

****Note:** For high-impact areas such as patient rooms, use bracing on 20g EQ studs or use 20g structural studs.

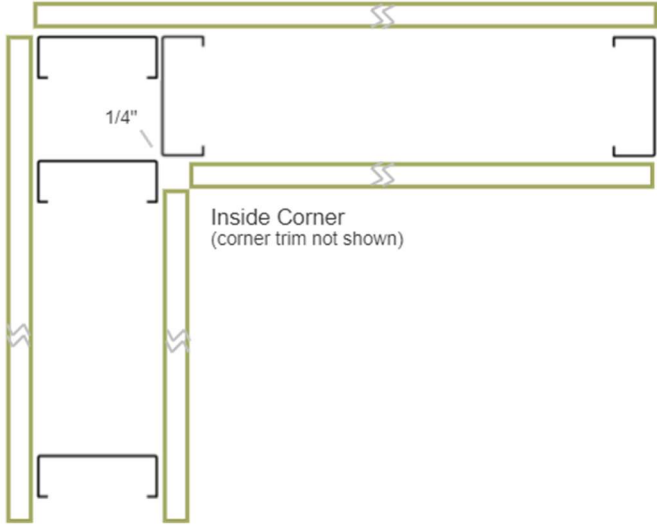
Steel floor track should be 2 1/2" or 3" H to accept cove base or bathtub style vinyl flooring.

The following diagrams show the manner in which wall studs must be configured in order to ensure that Panel Hangers are able to be attached correctly at inside and outside corners for various wall conditions:



Outside Corner Wall Condition

Outside Corner
(corner trim not shown)



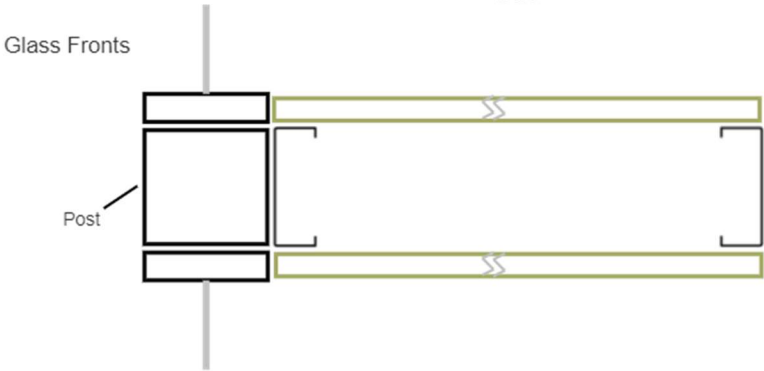
Demising Wall Condition

Outside Corner
(corner trim not shown)



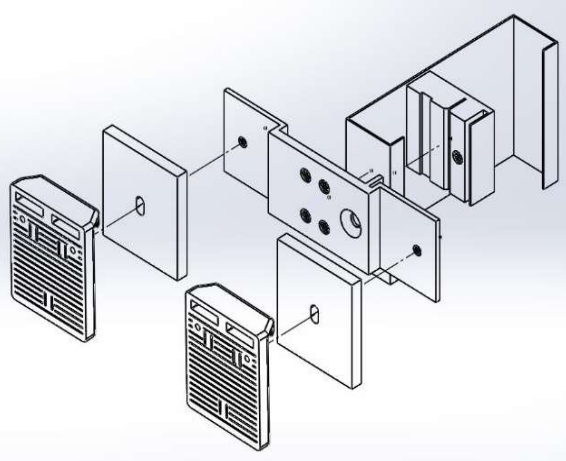
Outside Corner
(corner trim not shown)

- OR -

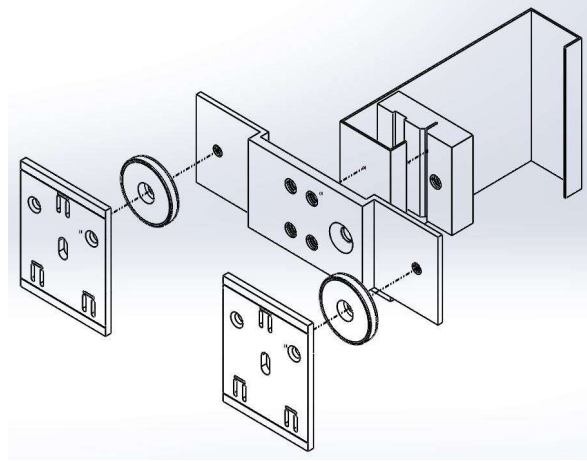


Panel Hanger Hardware

Top Level Panel Hanger Exploded



Lower Level Panel Hanger Exploded



Adjustable Panel Hangers intended to receive the top of each panel are comprised of (from right to left):

- Clamp
- Base (*secured to the Clamp with 1/4-20 flathead machine screw)
- Catch Piece (*secured to the Base with 10-24 machine screw)
- C-Clip (*secured to the Panel with 5/8" long narrow head staples)

Adjustable Panel Hangers intended to receive the middle and bottom of each panel are comprised of (from right to left):

- Clamp
- Base (*secured to the Clamp with 1/4-20 flathead machine screw)
- Magnet (*secured to the Base with 10-24 machine screw)
- Catch Piece (*secured to the Panel with 5/8" long narrow head staples)

Adjustable Panel Hanger hardware will arrive on site already assembled based on panel design in the architectural elevations. They may be altered if necessary, depending on site conditions or changes.

Multiple adjustments to the Panel Hanger can be made as necessary using 10-24 hex head adjustment screws in any of the four threaded holes in the Base piece until the Panel Hangers are plumb with each other.

The Hangers are designed symmetrically so that they may be flipped 180-degrees to accommodate the direction in which the stud opens.

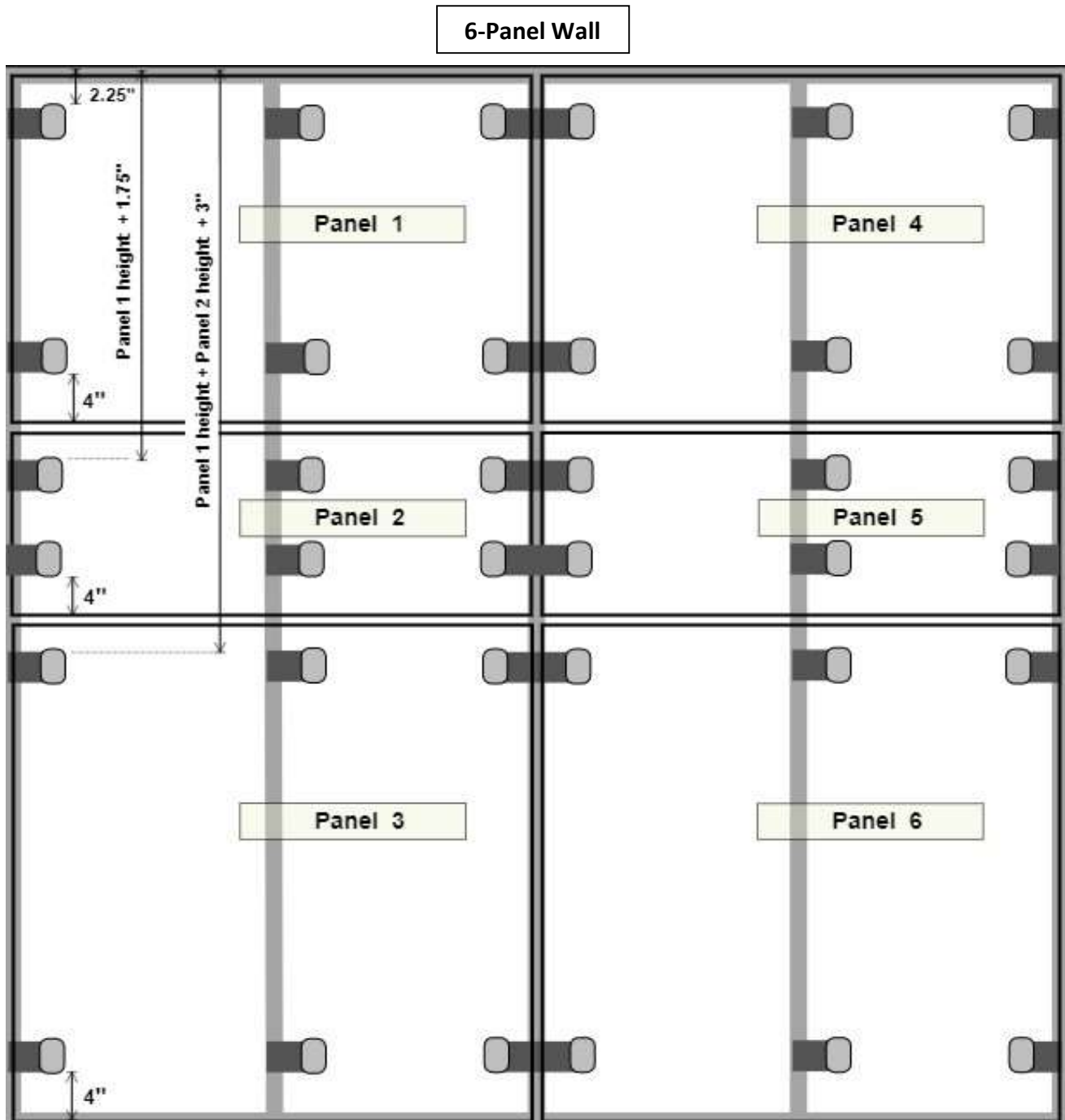
Positioning of the Hangers is detailed in the following section of this manual.

Panel Hanger Placement

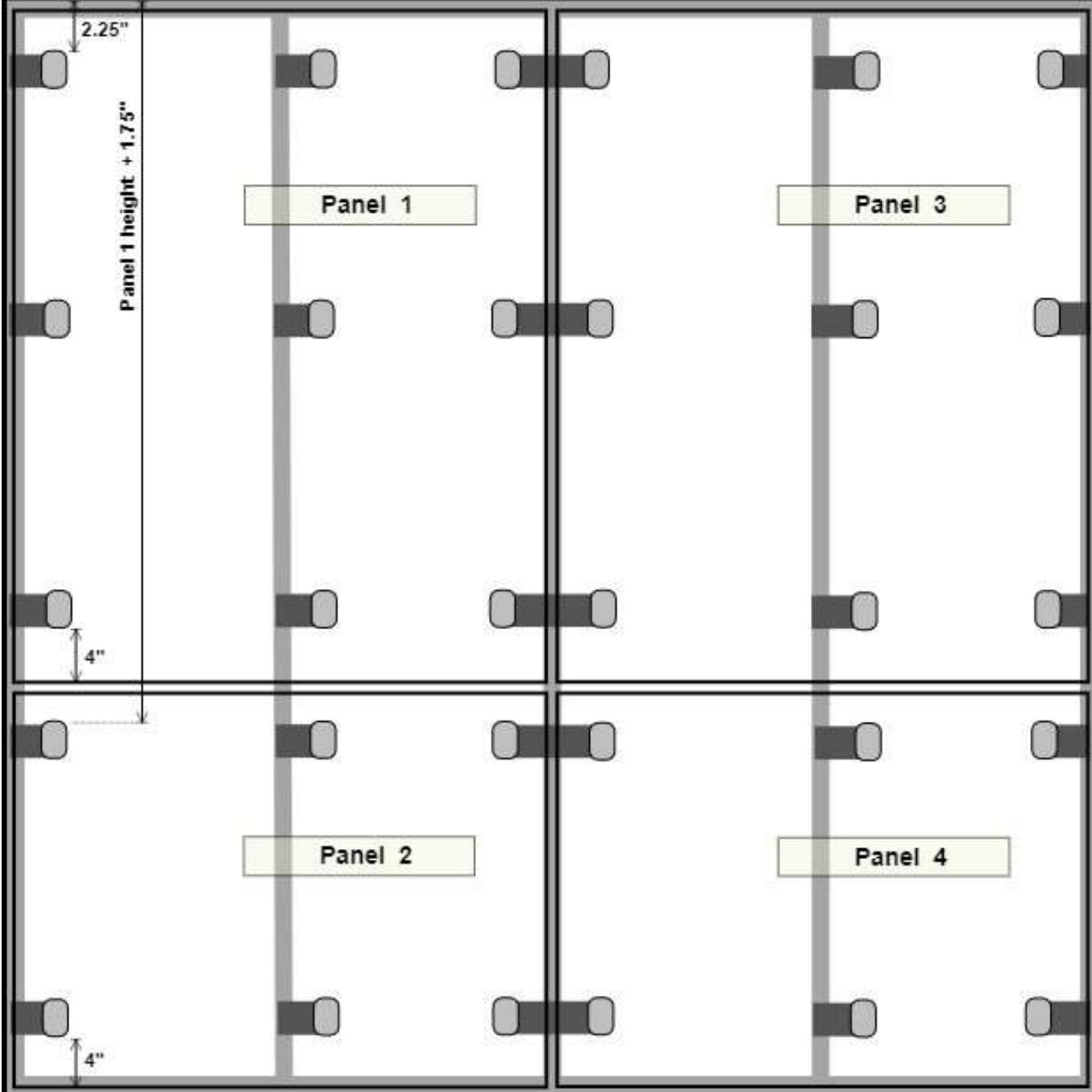
The following diagrams show the placement of Panel Hangers for three different panel configurations. The top row of Hangers (for C-Clips) should always be placed 2.25" down from the ceiling -- regardless of ceiling type. The bottom row of Hangers (for magnets) should be placed 4" up from the bottom of each panel. Placement of multiple layers of Panel Hangers (for magnets) will depend on the overall height of the panel itself.

Panel Hangers for the C-Clips for the next panels down (Panel 2 and Panel 3) depend on the heights of the Panel 1 and Panel 2 as shown below.

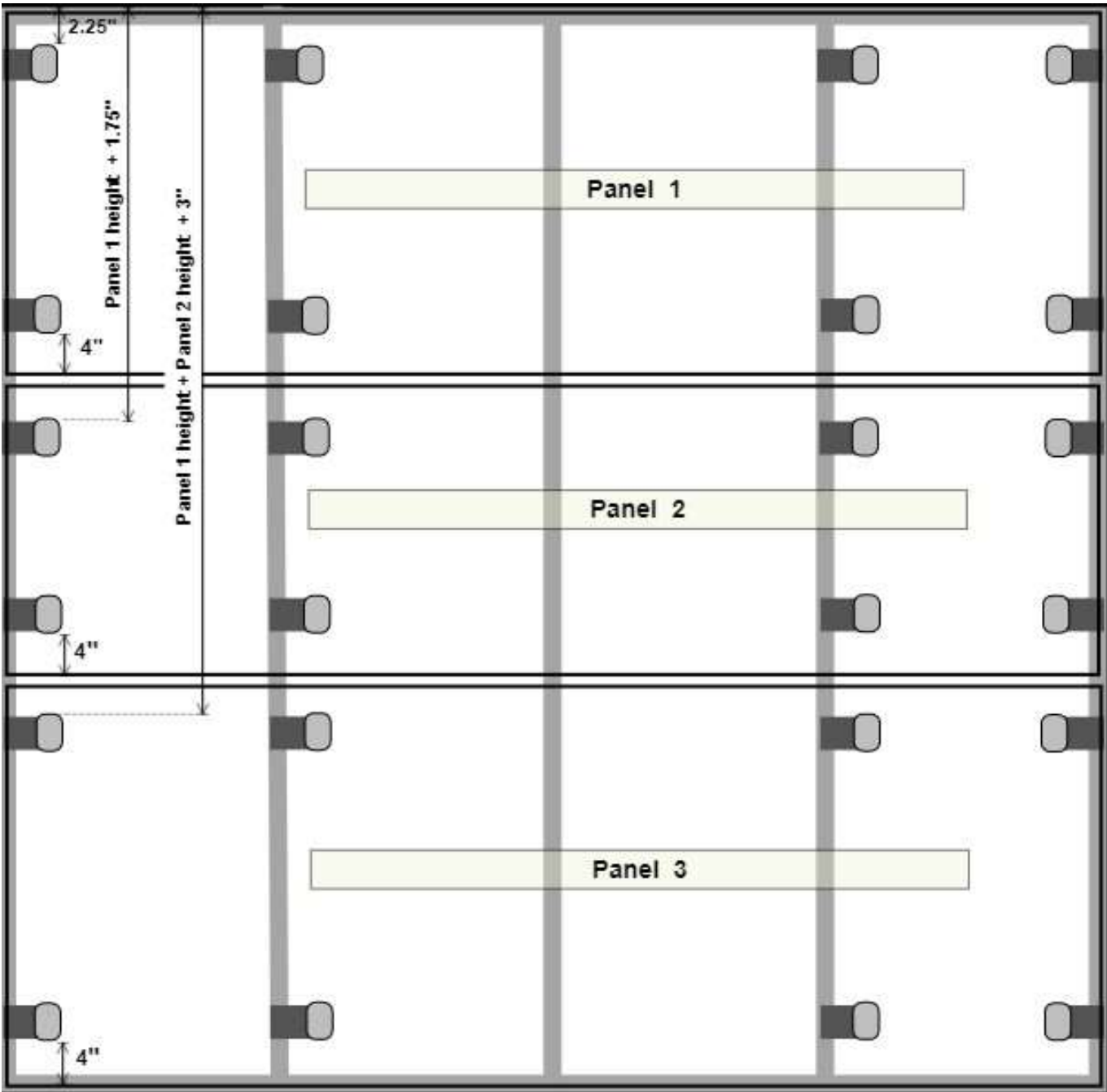
The following example diagrams are intended to provide typical Panel Hanger schemes under several panel configurations:



4-Panel Wall



3-Horizontal-Panel Wall



Panel Fabrication

Panels should arrive on-site with L-Channel pieces already attached to each edge of Panels. However, C-Clips and Catch Pieces (pictured below) must be attached by installers on-site, because the exact placement and direction of studs will only be known after framing.

C-Clips and Catch Pieces should be fastened to rear of panels on-site in accordance with the positioning of Panel Hangers on the wall studs. We suggest filling out a table such as the following as a guide to C-Clip and Catch Piece placement:

Panel Fabrication Table Example (in inches)

Panel Code	Panel Width	C-Clip 6	C-Clip 5	C-Clip 4	C-Clip 3	C-Clip 2	C-Clip 1
Exxx	47 7/8	-	-	-	41 3/4	20 1/2	2 1/4
Wxxx	95 7/8	-	92 3/4	65 1/4	43 1/2	20 1/2	2 1/4
....							

- * All C-Clips are to be secured (stapled or screwed) 0.75" down from top of panel and xx" from right of panel as stated in Fabrication Table. [All C-Clip and Catch Piece locations are measured and placed on the back of the panel from **right to left** because the panel will be flipped when placed on the Panel Hangers.]
- ** For Panels < 30" H: Catch Pieces to be secured 4" up from bottom of panel -- at same **right-to-left** pattern as C-Clips. For Panels > 30" H: Catch Pieces to be secured 4" up from bottom of panel and at 24" intervals after that -- at same **right-to-left** pattern as C-Clips.

C-Clip



Catch Piece



Panel & Accessory Placement

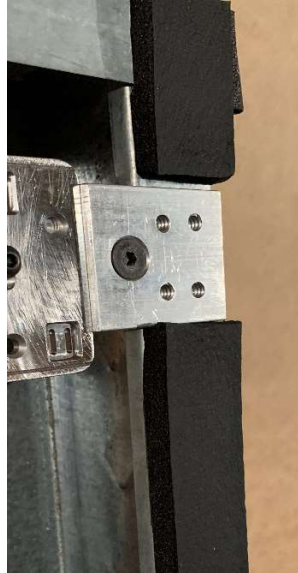
Insulating Foam Tape must be adhered to each vertical steel stud before Panels can be hung/secured. It is best to place the first few panels of any project to ensure that Panel Hangers are in their final location before adhering the Insulating Foam Tape. This will help to prevent relocation of Foam Tape due to tweaking of Panel Hangers.

Panels can now be placed on Panel Hangers – using suction cups for Panel placement will help ensure that reveals between Panels are 5/16" wide.

Insulating Foam Tape

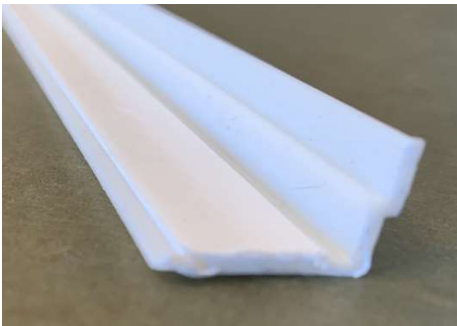


Foam Tape on Stud



Panels should arrive on-site with L-Channel pieces already attached to each edge of Panels. As a result, installers will simply cut Filler pieces to size and press into L-Channels to close in the reveals between Panels and at ceiling & door frame locations -- after Panels are hung and worked into alignment.

L-Channel



Filler



Additional Recommendations

For wall framing under ceiling grid, EA recommends slotted top track by Telling Industries (pictured here).



For bathtub floors – such as in clinical areas -- EA recommends VersaDry bottom track by Telling Industries (pictured here).



Telling Industries

4420 Sherwin Road
Willoughby, OH 44094
866-372-6384

For securing slotted track to ceiling grid, EA recommends the Ceiling Grid Stud by Kinter (pictured here).



Kinter

3333 Oak Grove Avenue
Waukegan, IL 60087
800-323-2389

For small panels above doors, EA recommends attaching panels with Galaxy Mounts by Star Hanger (pictured here).



Star Hanger Systems

1717 Peeples Street;
Unit F
Columbia, SC 29203
803-250-9608

For placement of electrical outlets in demountable walls, EA recommends using the telescoping support bracket by Orbit Industries (pictured here).



Orbit Industries

7533 Garfield Avenue
Bell Gardens, CA 90201
800-906-7248
