

600i BOOKLET SYSTEM

INTELLIGENT PRODUCTION MADE EASY

Fully automatic setup
Fast and intuitive controller
Tool less operations
A4 landscape format

*A4 Landscape Brochures, Catalogues, Corporate and Financial Reports, Menus, Photobooks,
Magazines, Newsletters, CD booklets, Manuals*



The fully automatic 600i Booklet System offers intelligent versatility and precision to both Offset and Digital printers.

Combining the high speed intelligent DSC-10/60i Collator Towers and the easy to use DBM-600 Bookletmaker and Trimmer provides the operator with the ability to finish booklets of all sizes including A4 Landscape.



Superior Feeding

AMS System

High speed and intelligent DSC-10/60i suction towers deliver superior performance whilst maintaining complete accuracy. Each 10 bin tower comes with A.M.S.+ (Air Management System Plus) as standard. Controlled from the PC Controller and the towers, this unique feeding system manages the high power fans that create air flow and vacuum independently for each bin, enabling reliable feeding regardless of paper weight or size.



IMBF System

The DSC-10/60i includes I.M.B.F. (Intelligent Multi Bin Feeding) allowing the operator to select each bin individually and feed more than one sheet from one bin. Each bin is independent and can be optimised to feed single or multiple sheets, a huge benefit for variable data publications. The DSC-10/60i has a large bin capacity of 65mm and can increase the capacity to 130mm or more by intelligently linking multiple bins.



Ultrasonic Sensor Technology

Each bin on the DSC-10/60i Collator Towers can be equipped with the optional state-of-the-art Ultrasonic Sensor Technology. Each sensor detects if a double feed occurs regardless of ink colour, paper colour and paper density. This enables trouble free feeding of difficult paper such as black solid covers.



Automated Precision

The entire system is managed from the user friendly PC controller. This automatically sets up the system within 60 seconds and the changeover between jobs within 35 seconds, all without the use of any tools. The operator can create and save an unlimited number of jobs with ease for future instant recall and easily make any fine adjustments to 0.1mm accuracy whenever it is necessary.



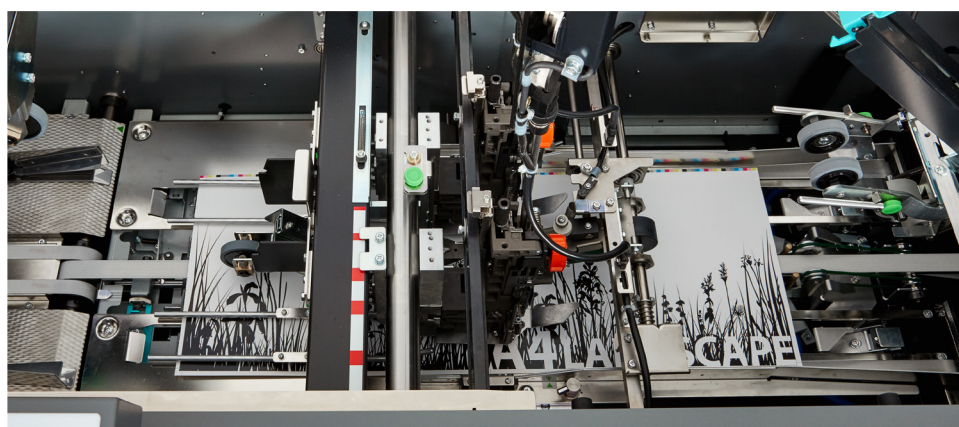
Productivity

The 600i Booklet System finishes up to 5,200 booklets per hour. Adding the optional DKT-200 2-knife Trimmer increases this by up to 9,000 booklets per hour.

Its clear paper path allows the operator to be in full control of the production process. It enables full visibility and quick access to the job in progress. The whole system can be managed by a single operator and requires virtually no operator intervention.



Optional DKT-200 Trimmer with Conveyor



Clear paper path and easy access



Flexibility

The 600i Booklet System allows you to manage the printed pages from multiple printers, regardless of whether they are from colour or mono presses or different printer vendors. Merging together digital and offset sheets, uncollated and collated sets is possible without compromising print production, offering high speed professional finishing on a wide variety of sheet sizes and weights.

Up to 4 heavy duty Hohner heads or loop stitching heads can be installed to accommodate a wider range of finished applications.



Modularity

This highly versatile and modular booklet system can be re-configured and expanded as needs and demands change. Additional Collating Towers, Straight, Offset or Criss Cross Stacking and Jogging devices can be added at any time.



Options:

DKT-200 2-knife trimming

When connected to the optional DKT-200 Trimmer, the 600i Booklet System provides a completely automatic 1 (fore-edge) plus 2 (head and foot) knife trimming operation. This allows the user to take the printed SRA3 or B3 sheet directly from the press and finish the book in one operation, providing huge savings on guillotining and labour costs.

Gutter Knife

The optional gutter knife on the DKT-200 Trimmer enables the printer to finish a 2-up printed page, reducing downtime and doubling up the overall production.

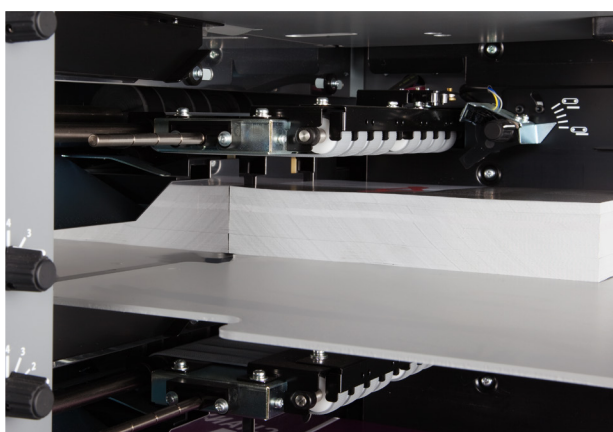
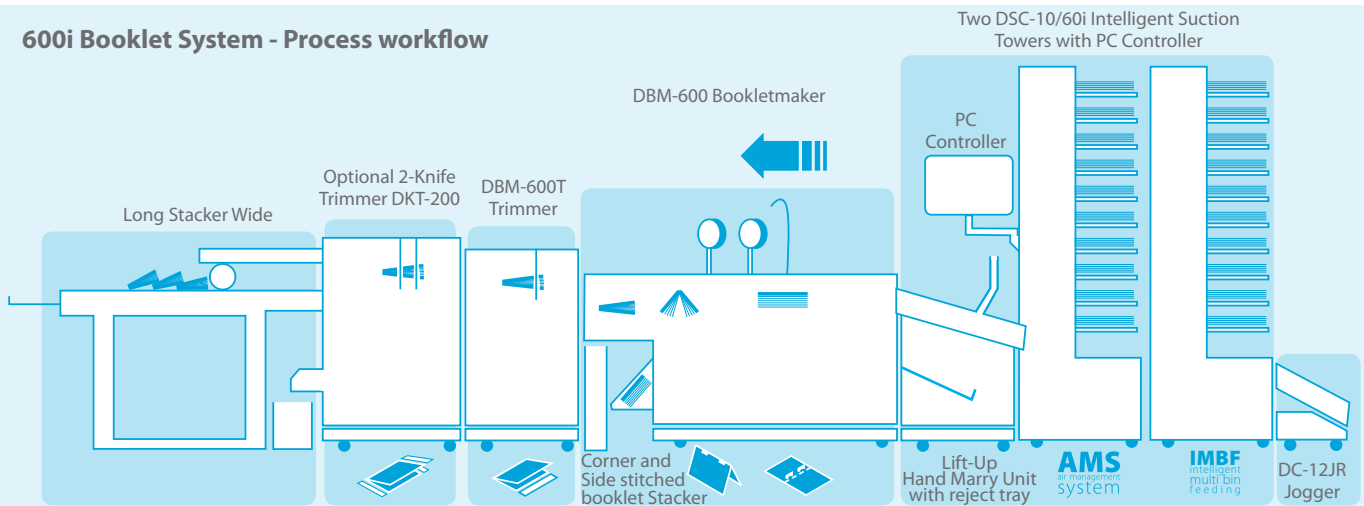
Hole Punch

The hole punch option on the DKT-200 Trimmer is very useful for filing purposes.

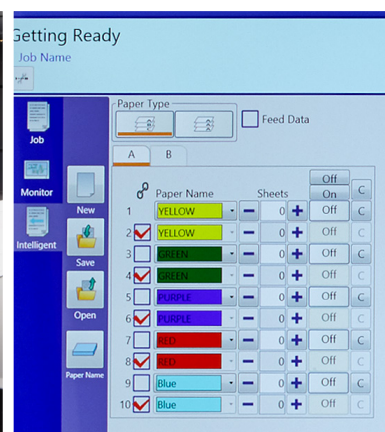
ASM-600

Add value to your offering with the ASM-600 Square Spine by creating professional looking booklets with a perfect bound effect.

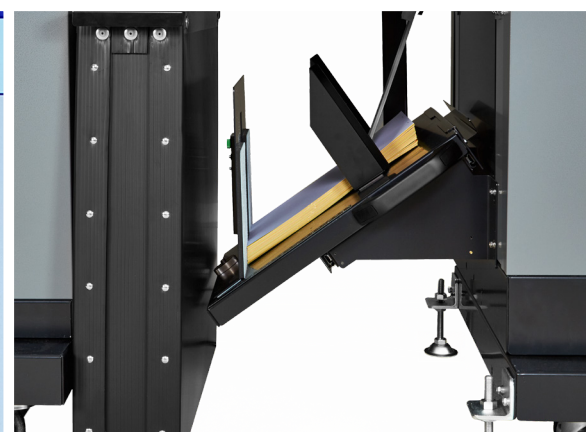
600i Booklet System - Process workflow



Accurate and reliable A.M.S.+ Suction Feed System



IMBF - Continuous production



Corner and Side stitched booklet Stacker

Specifications

DBM-600 Bookletmaker, DBM-600T Trimmer & DKT-200 Trimmer

Max booklet 1-up production speed	4,600 A5-booklets up to 10 sheets 5,200 105x200mm-booklets up to 5 sheets	Job memories	Infinite from PC Controller
Max booklet 2-up production speed	Up to 9,000 booklets/hr 2-up booklets (2-up production)	Folding Rollers	Automatic mechanism
Max booklet thickness	6 mm (30 sheets of 80 gsm, 120 page booklet)	Error Detect Sensors	Stitching wire, paper feed, paper jam, safety guards
Flat sheet size <i>Max flat sheet size over 500 mm in length</i>	Max 350 mm (W) x 508 mm (L) Max 230 mm (W) x 610 mm (L) Min 120 mm (W) x 170 mm (L) Min 105 mm (W) x 297 mm (L)	Features	Quick and automatic job changeover Straight paper path with LED lighting Centre Registered System Clear view, wide and easy access within the modules
Finished untrimmed booklet size 1-up production	Max 350 mm (W) x 254 mm (L) Min 120 mm (W) x 85 mm (L) Min 105 mm (W) x 148.5 mm (L)	DBM-600 Options	DBM-600 Sheet by Sheet Air Kit (Multiple Sheet Feeding) DBM-600 Offset Trim with manual control (from 1 To 21 mm) Hand Feed Kit (DBM-600 manual feeding)
Finished booklet size 1-up production <i>Max booklet size over 500 mm in length</i>	Max 350 mm (W) x 254 mm (L) Min 120 mm (W) x 75 mm (L) Min 105 mm (W) x 75 mm (L) (12 pages max) Max 230 mm (W) x 305 mm (L)	Optional DKT-200 Head and Foot Knives	Max/Min Trim 2-60 mm 30 mm Max Trim for each knife 6 mm Gutter Cut knives 1-up: 6mm 2-up with Gutter Knife: 2.4mm Hole Punch Unit: 3mm DKT-200 Offset Trim with manual control (from 1 to 21 mm) 6.4 mm diameter 2 Hole Punch Kicker/Batching Unit
Finished booklet size 2-up production (DKT-200) <i>2 stitches in each booklet (centered)</i> <i>2 stitches in each booklet (non-centered)</i> <i>1 stitch in each booklet (centered)</i>	Max 171 mm (W) x 254 mm (L) Min 114 mm (W) x 75 mm (L) Min 105 mm (W) x 75 mm (L) (12 pages max) Min 90 mm (W) x 75 mm (L) (12 pages max)	DKT-200 Options	
DBM-600T Trimmer Front Knives <i>Max trimming thickness</i>	1 to 25 mm Up to 75 mm with 12 pages or less Within 6 mm	Connecting devices	Up to 6 x DSC-10/60i Collating Towers DCR-ST Criss Cross Stacker DKT-200 Head and Foot Trimmer DBM-600T/DKT-200 Long Delivery Conveyor (DBM-LSW) Paper extractor device
Folding capacity	2-30 Sheets	Power Supply	220 - 240V 50/60Hz (DBM-600: 2.5A/DBM-600: 3.4A)
Fine adjustment	From 0.1 mm	Power consumption	DBM-600: 465 W - DBM-600T: 645 W
Max stitching capacity	3 mm (30 Sheets of 80 gsm)	Dimensions - Net weights	<i>DBM-600</i> 1848 mm (W) x 929 mm (D) x 1227 mm (H) - 377 kg <i>DBM-600 Trimmer</i> 716 mm (W) x 717 mm (D) x 1124 mm (H) - 233 kg <i>DKT-200 & LSW</i> 2302 mm (W) x 700 mm (D) x 1169 mm (H) - 472 kg
Min/Max Stitching Head distance (1-up)	60 - 320 mm	ASM + Feeding System	Ability to increase the flow of air and vacuum on each bin Unique Total Feed Control on Each Bin Ability to adjust and feed timing
Stitching Head distance (2-up)	58.5 mm (55 mm In Fine Adjustment Mode)		
Stitching Heads	Standard fitting: 2x Hohner 43/6S Optional 4 Hohner Flat/Loop heads		
Controls	PC Controlled job programming, save and recall, automated set-up Microsoft Windows-based GUI (Graphical User Interface) Individual control panel for Fine Adjustment		

DSC-10/60i Suction Tower Collator

Bin capacity	65 mm	Power supply	220 - 240V 50/60Hz 5.3A 980W
Paper size	Max 356 mm (W) x 508 mm (L) Min 105 mm (W) x 148 mm (L)	Dimensions - Net weights	756 mm (D) x 830 mm (W) x 1972 mm (H) - 297kg
Paper size over 508 mm in length	Max 230 mm (W) x 610 mm (L)	Connecting devices	DBM-600 & DBM-600T Up to 6 DSC-10/60i Collating Towers DC-J Descending Jogger (right exit of DSC-10/60i) DCR-ST Criss Cross Stacker (left exit of DSC-10/60i) DBM-400STR Straight and Offset Stacker (right exit of DSC-10/60i)
Paper weight	50 - 300 gsm from each bin	Options	Ultrasonic Double Sheet Detection
Max booklet processing speed	Up to 10,000 A5 sets/hr into Jogger or Stacker		
Detection	Miss, Double, Paper Jam and Empty Bin Sensors		
Counters	Total, Batch, Set Reject		
Controls	PC Controlled job programming, save and recall, automated set-up Microsoft Windows-Based GUI (Graphical User Interface)		
Features	Block mode (1/2, 1/4, 1/3) Programmable Intelligent Multiple Bin Feeding Possibility to increase bin feeding capacity to 130mm, 195 mm or more Non-stop production A4 landscape Hand Marry Mode Hand Feeding Mode		

600i Booklet System with optional DBM-400 STR Stacker and DKT-200 Trimmer



Contact us
1800 422 349
ebusiness@smartech-aust.com
www.smartech-aust.com

Duplo International Limited
Automated Precision House,
Hamm Moor Lane,
Addlestone,
Surrey KT15 2SD

Tel +44(0) 1932-263-900 - Fax +44(0) 1932-263-901
info@duplointernational.com - www.duplointernational.com

Production rates are based on optimal operating conditions and may vary depending upon stock and environmental conditions. As part of our continuous product improvement program, specifications are subject to change without notice.

Duplo is a trade mark of the Duplo Corporation.



Ref: 600i/05/15