

"American Beauty Special"

Endurance race car based on a 1922 Pan American
- Concept mockup -

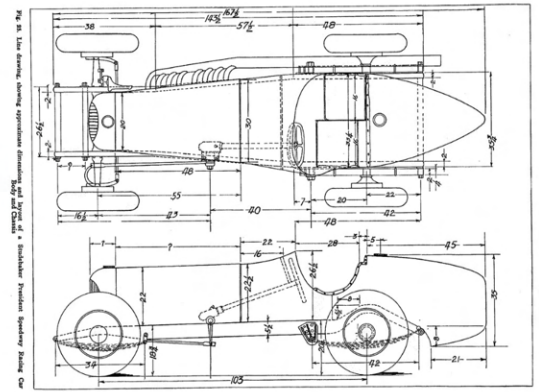


- meticulously handcrafted aluminium body.
- 3.10m wheelbase, specifically modified for racing.
- straight 6-cylinder, 251 cubic inch flathead engine.



- 3 head lights and rear lights.
- Blockley 675/700 x 21 tyres and spare wheels.
- custom made exhaust.
- expanded fuel tank for longer range.
- storage for all necessary rally equipment.

mArch 2024



Recreating History – The "American Beauty Special"

Recreated to Discover: 1922 Pan American the endurance rally car project

In collaboration with our friends at CoastClassics in Spain, we are thrilled to reveal our latest endeavour: the restoration of a unique 1922 Pan American endurance rally car. This project not only celebrates the spirit of adventure and engineering prowess but also marks a significant piece of history. The Pan American cars, originally sold from 1917 to 1922, have mostly faded into history. However, our vehicle, a Pan American "American Beauty" tourer, stands out as a rare gem - seemingly the only remaining car sold and registered in Europe in 1926, making it a unique testament to its era.

The Pan American "American Beauty" symbolizes the innovation and endurance of the early 20th century. Our mission is to reinvigorate this historical marvel, adapting it for the demanding conditions of modern European endurance and marathon rallies. These events, with daily stretches of 200 to 400 km and total distances surpassing 2000 km, are true tests of durability for both the driver and the vehicle.

Central to our restoration project is a comprehensive mechanical overhaul, including:

- A meticulously handcrafted aluminium body.
- A 3.10m wheelbase, specifically modified for racing.
- A powerful straight 6-cylinder, 251 cubic inch flathead engine.
- Large tires engineered for enhanced endurance and traction.
- An expanded fuel tank for longer range.
- Ample storage for all necessary rally equipment.



Our approach to this restoration balances the need for modern performance with a deep respect for the car's historical significance. Every enhancement aims to preserve the car's authentic character while preparing it for the challenges of contemporary racing events.

More than just a race, endurance rallying is about the journey, the breathtaking landscapes, and the interplay between human and machine. Our Pan American is designed to embody this ethos, merging historical allure with modern-day reliability.

This project is a journey through time, a testament to overcoming challenges, and a celebration of automotive heritage. We are eager to embark on this adventure, adding a new chapter to the story of the 1922 Pan American.