

D-BOOM / **25T**

The Zacklift D-BOOM 25T attaches to your Zacklift FIFTHWHEELER system with 2 pins* and a few hydraulic connections. The D-BOOM 25T has a lifting capacity of 50,000 lbs in the retracted position and can extend 8' hydraulically.



D-BOOM 25T

**THE WORLD LEADER IN HEAVY DUTY
DETACHABLE TOWING.**



* SHOWN WITH FIFTHWHEELER Z353

If you have been looking for an easy way to add a boom to your Zacklift, look no further. The all new Zacklift D-BOOM 25T attaches to your Zacklift FIFTHWHEELER system with 2 pins* and a few hydraulic connections. The D-BOOM 25T has a lifting capacity of 50,000 lbs in the retracted position and can extend 8' hydraulically.

Zacklift has always focused on ways to get the most out of the equipment you own. The D-BOOM is added to your equipment eliminating the requirement to scrap the good stuff. Upgrading your capabilities should not mean replacing good equipment. We are focused on building high quality equipment and giving the customer a cost effective way to expand their capabilities, we call it "Cost Effective Versatility".

The D-BOOM comes with everything you should need to convert your detachable Zacklift into a capable wrecker. Standard equipment includes a 20K WARN winch with 200' of 5/8" cable. Single and 2 line configurations are available. Hydraulic valve sections and hoses connect to existing Zacklift standard equipment.

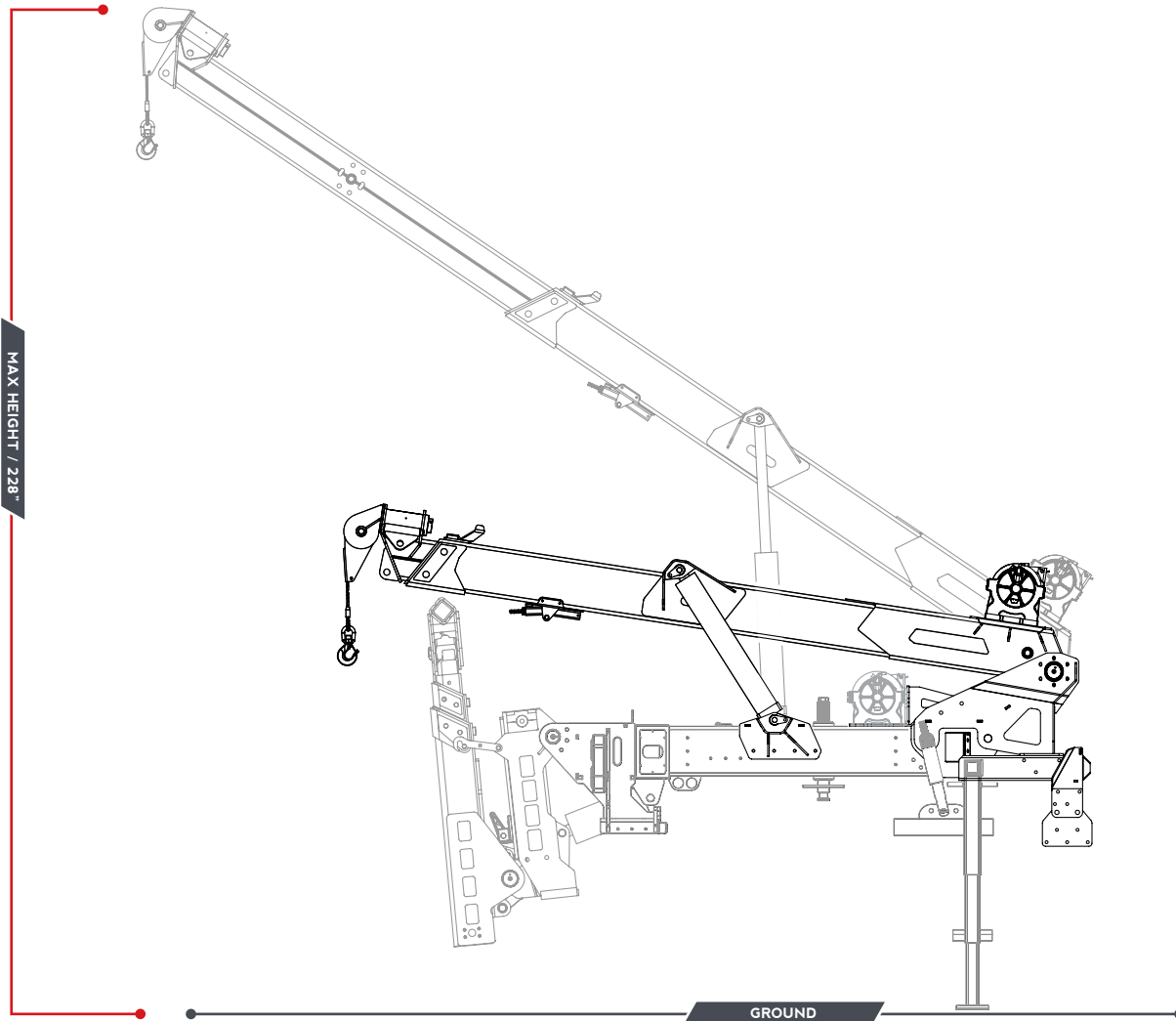
* Minor chassis and hydraulic installation is required.



D-BOOM 25T



PART NUMBER / D-BOOM 25T



SHOWN WITH Z353

D-BOOM 25T STANDARD EQUIPMENT

- WARN 20K Winch w/ 200' Wire Rope
- Beam to Boom Pivot Bracket
- Chassis Receiver Bracket

D-BOOM 25T OPTIONS

- 6 Button Wireless Remote
- Warn 30k Winch
- 1 or 2 Line Boom

BOOM CAPACITY SPECIFICATIONS

BOOM (RETRACTED @ 30 DEG) / 50,000 LBS

BOOM MAX HOOK HEIGHT / 210"

BASE UNIT WEIGHT / 11,000 LBS

BOOM (EXTENDED @ 30 DEG) / 18,000 LBS

BOOM HYDRAULIC EXTENSION / 96 IN

