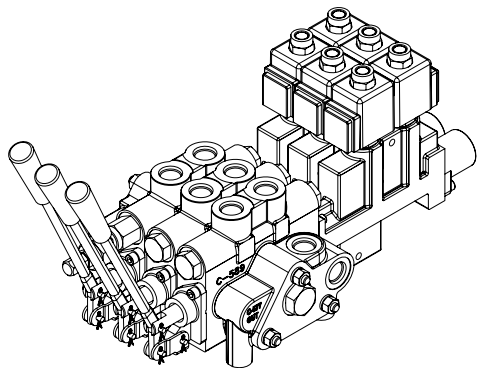
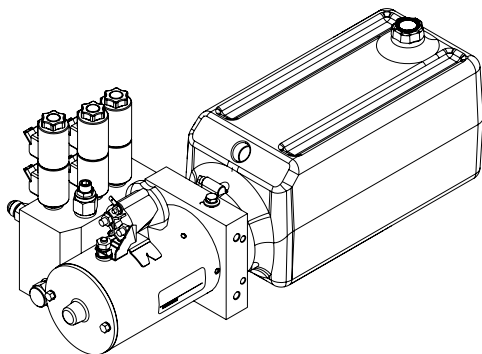


STANDARD EQUIPMENT INCLUDED WITH ALL FIFTHWHEELER MODELS

ALL UNITS STANDARD WITH CHOICE OF:**OPTION A - EQUIPMENT VALVE****OPTION B - 12V HYDRAULIC POWER UNIT****STANDARD: DETACHABLE OR PERMANENT**
OPTION A - 3 SECTION VALVE BANK

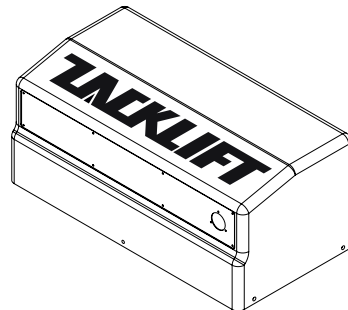
Z1304-52A

- SECTIONAL MANUAL / SOLENOID CONTROL VALVE
- POWERED SUPPLIED BY FULL QUICK-DISCONNECTS, PROVIDED WITH FIFTHWHEELER MODELS

**STANDARD: DETACHABLE OR PERMANENT**
OPTION B - 12V HYDRAULIC POWER UNIT

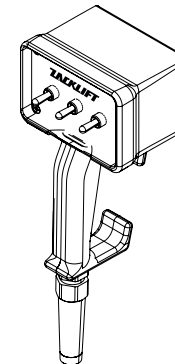
Z1304-59M

- 12V BUCHER 3 WAY HYDRAULIC POWER UNIT.
- TYPICALLY USED ON TRUCKS WITHOUT A PTO OR WET KIT

STANDARD EQUIPMENT: INCLUDED ON ALL FIFTHWHEELER UNITS**STANDARD: DETACHABLE OR PERMANENT**
CUSTOM PUMP / VALVE COVER

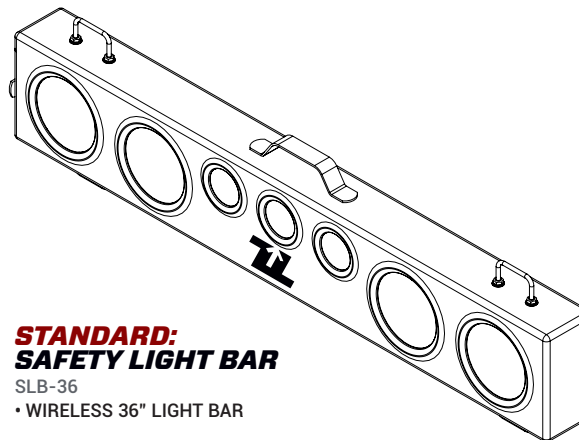
ZA000030-A

- FOR USE WITH EITHER OPTION A (EQUIPMENT VALVE) OR OPTION B (12V - HYDRAULIC PUMP)

**STANDARD: DETACHABLE OR PERMANENT**
3 BUTTON 25' CORDED REMOTE

Z1304-51A

- CORDED REMOTE FOR UNDER LIFT (FOLD/UNFOLD, LIFT, TILT & EXTEND)

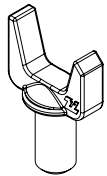
**STANDARD:**
SAFETY LIGHT BAR

SLB-36

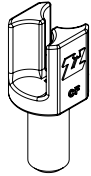
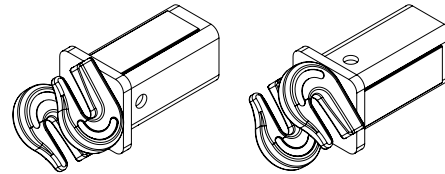
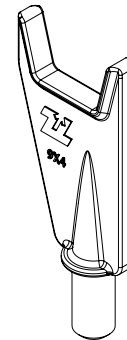
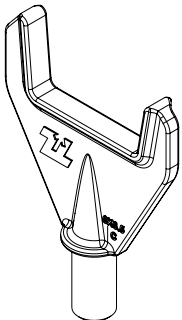
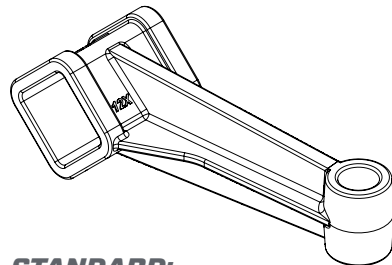
- WIRELESS 36" LIGHT BAR



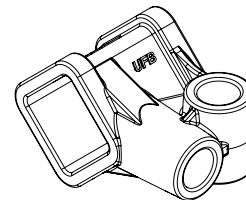
STANDARD EQUIPMENT INCLUDED WITH ALL FIFTHWHEELER MODELS

**STANDARD:
FORKS PACKAGE** *DETACHABLE OR PERMANENT***STANDARD:
1X2.5 LOW
FORKS**

Z1304-1X2.5

**STANDARD:
CHAIN FORKS**Z1304-65
• HOLDS 3/8" &
1/2" CHAIN**STANDARD:
TORSION BAR
FORKS**Z1304-61
• OPENING: 2.5" WIDE
• HEIGHT 5.75"**STANDARD:
CHAIN ATTACHMENT BLOCKS**Z10-1026P & 210-1026D
• FITS STANDARD GRIP BAR**STANDARD:
9"X4"
HIGH FORKS**Z1304-9X4
• OPENING: 3" DEEP
X 3.375 WIDE
• HEIGHT: 9"**STANDARD:
6X6.5 BIG
SCOOPS**Z1304-6X6.5C
• OPENING: 4" DEEP X 6" WIDE
• HEIGHT: 6.5"**STANDARD:
12" REACH EXTENDERS**

Z1304-78

**STANDARD:
UNIVERSAL
RECEIVERS**

Z1304-63A

