

# FIFTHWHEELER / Z252

DETACHABLE OR PERMANENT

The Zacklift Z252 is available in both detachable and permanent mount configurations. The Z252 is designed for "light" heavy duty towing, the Z252 FIFTHWHEELER is capable of moving small to mid-size motorhomes, box trucks, package delivery vehicles, and semi tractors.



# FIFTHWHEELER / Z353

DETACHABLE OR PERMANENT

The Zacklift Z353 is available in both detachable and permanent mount configurations. The Z353 is designed for "general" heavy duty towing, the Z353 FIFTHWHEELER is perfect for moving motor homes, buses, and heavy trucks.



# FIFTHWHEELER / Z453

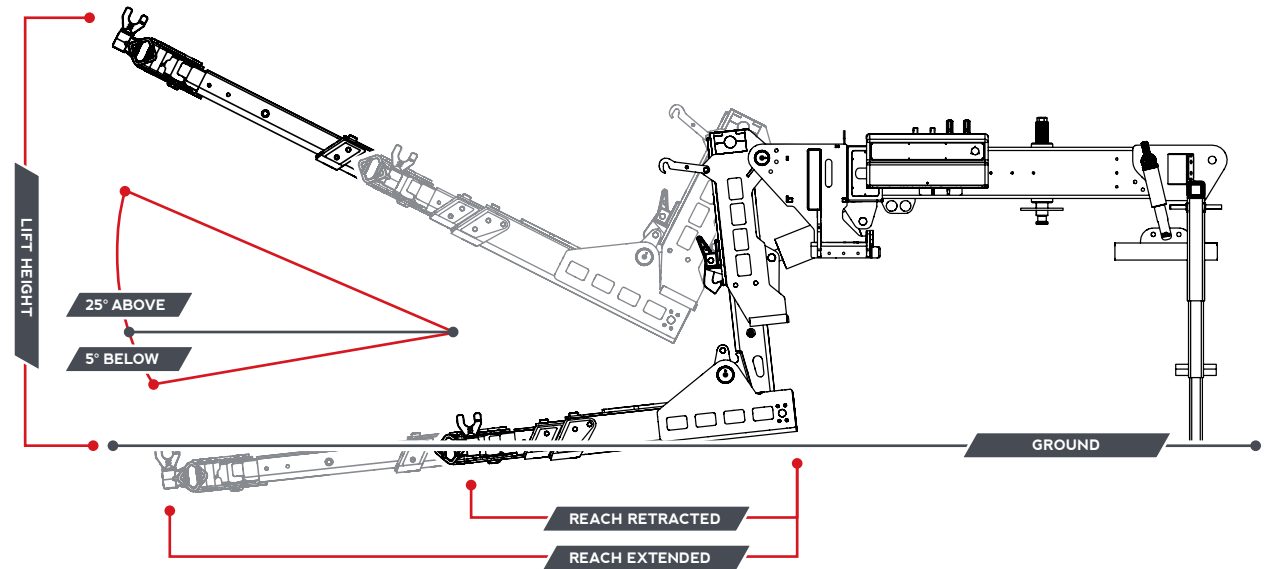
DETACHABLE OR PERMANENT

The Zacklift Z453 is available in both detachable and permanent mount configurations. The Z453 is designed for "super" heavy duty towing, the Z453 FIFTHWHEELER is perfect for moving large motorhomes, multisession public buses, cement trucks, and garbage trucks.



# FIFTHWHEELER / Z252 Z353 Z453

## MODEL COMPARISON



### MODEL SPECIFICATIONS COMPARISON CHART

NOTE: ALL FIFTHWHEELER MODELS ARE AVAILABLE IN BOTH DETACHABLE OR PERMANENT MOUNT

MODEL	Z252 / IMPERIAL	Z252 / METRIC	Z353 / IMPERIAL	Z353 / METRIC	Z453 / IMPERIAL	Z453 / METRIC
LIFT CAPACITY - RETRACTED	25,000 LBS	11340 KG	35,000 LBS	15876 KG	45,000 LBS	20411 KG
LIFT CAPACITY - EXTENDED	13,000 LBS	5897 KG	16,000 LBS	7257 KG	20,000 LBS	9072 KG
TOW CAPACITY	75,000 LBS	34019 KG	85,000 LBS	38555 KG	100,000 LBS	45359 KG
UNDER LIFT TILT ABOVE GROUND	25 DEG	25 DEG	25 DEG	25 DEG	25 DEG	25 DEG
UNDER LIFT TILT BELOW GROUND	5 DEG	5 DEG	5 DEG	5 DEG	5 DEG	5 DEG
REACH RETRACTED	50 IN	1270 MM	56 IN	1422 MM	61 IN	1549 MM
REACH EXTENDED	89 IN	2261 MM	119 IN	3023 MM	132 IN	3353 MM
MAX REACH W/ 12" EXTENSION	101 IN	2565 MM	131 IN	3327 MM	144 IN	3658 MM
LIFT HEIGHT	68 IN	1727 MM	87 IN	2210 MM	92 IN	2337 MM

# FIFTHWHEELER

## Z252

DETACHABLE

**THE WORLD LEADER IN HEAVY DUTY  
DETACHABLE TOWING.**



The Zacklift FIFTHWHEELER will transform any truck into a money making or money saving heavy duty transporter loaded with standard tools to move any rig every time, damage free. The FIFTHWHEELER is available in 3 heavy duty models Z453, Z353, and Z252.

Designed for "light" heavy duty towing, the Z252 FIFTHWHEELER is capable of moving small to mid-size motorhomes, box trucks, package delivery vehicles, and semi tractors. The Z252 is often purchased by fleets to tow their own trucks. The Z252 incorporates the tube-in-tube underlift boom design that is simple and easy to maintain. The FIFTHWHEELER transports everything a medium duty tow truck can, at a fraction of the price. The unit arrives road ready for immediate use\* and has been engineered with Zacklift trademark ruggedness to stand up to the demands of professional tower's day-in and day-out use and still outlast the truck. The FIFTHWHEELER drops in place on any tractor with no modification and no welding. Move the FIFTHWHEELER from truck to truck if required and remove it with a drive off procedure just like a trailer.

**Customer quote:**

"You can do everything. My drivers love it. It is the easiest equipment to operate that we've ever owned."

Pittsburg, PA - Jack Vavreck / Owner, Pitt Ohio Express

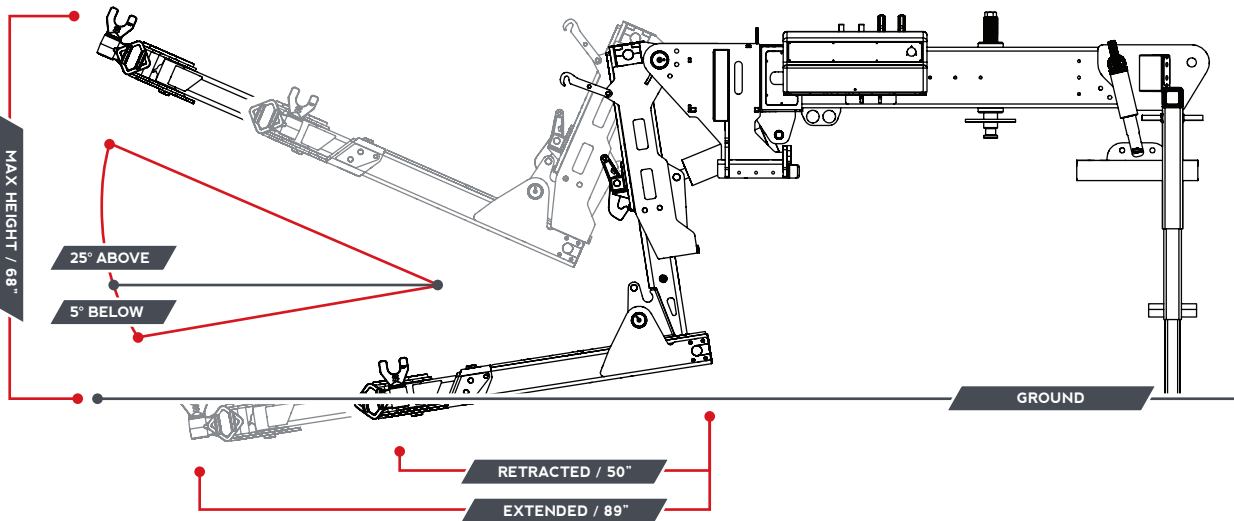
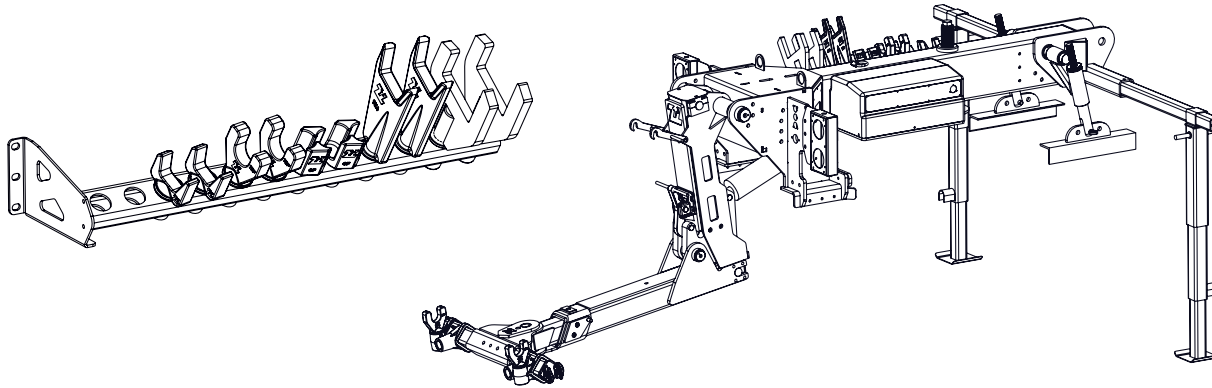
\*Some minor assembly and installation is required.



# FIFTH WHEELER Z252

## DETACHABLE

PART NUMBER / 5TH-Z252



### CAPACITY SPECIFICATIONS

LIFT CAPACITY - RETRACTED / 25,000 LBS

LIFT CAPACITY - EXTENDED / 13,000 LBS

TOW CAPACITY / 75,000 LBS

UNDERLIFT TILT ABOVE GROUND / 25 DEG

UNDERLIFT TILT BELOW GROUND / 5 DEG

REACH RETRACTED / 50 IN

REACH EXTENDED / 89 IN

MAX REACH W/ 12" EXTENSION / 101 IN

LIFT HEIGHT / 68 IN

UNIT WEIGHT / 4,803 LBS



STANDARD / OPTIONAL

### Z252 DETACHABLE STANDARD EQUIPMENT

- 25' corded remote control
- Fork Rack
- 1" x 2.5" Fork (Pair)
- Torsion Bar Fork (Pair)
- 6" x 6.5" Fork (Pair)
- 9" x 4" Fork (Pair)
- Chain Fork slotted for 1/2" to 5/8" Chain (Pair)
- Chain Blocks (Pair)
- Universal Fork Receiver (Pair)
- 12" Reach Extender (Pair)
- 2ea Safety Chains & Storage
- 36" LED wireless light bar
- Quick Disconnect for Air Breaks & Air Tools
- Stop, Turn and Tail Lights

### Z252 DETACHABLE OPTIONS

- 6 or 8 Button Wireless Remote
- 25k Stifflegs w/ 13" Flip Feet (Weld On)
- 38k Stifflegs w/ 18" Flip Feet (Weld On)
- Warn 20k or 30k Hydraulic Winch w/ 200' 1/2" Wire Rope
- Saddle Bag Toolbox w/ Roll Up Door & Adjustable Shelves
- Zacklift Aerodyne Toolboxes
- Zacklift Aluminum Light Pylon
- Custom Aluminum Round or Straight Style Fenders
- Fifthwheel Hitch with 20k Pintel & 2-5/16" Ball Combination
- LED Work Lights
- Heavy Duty Wheel Lift
- Specialty Forks
- Custom Graphic Toolbox Wrap
- Custom Paint

\* Minor Assembly Required

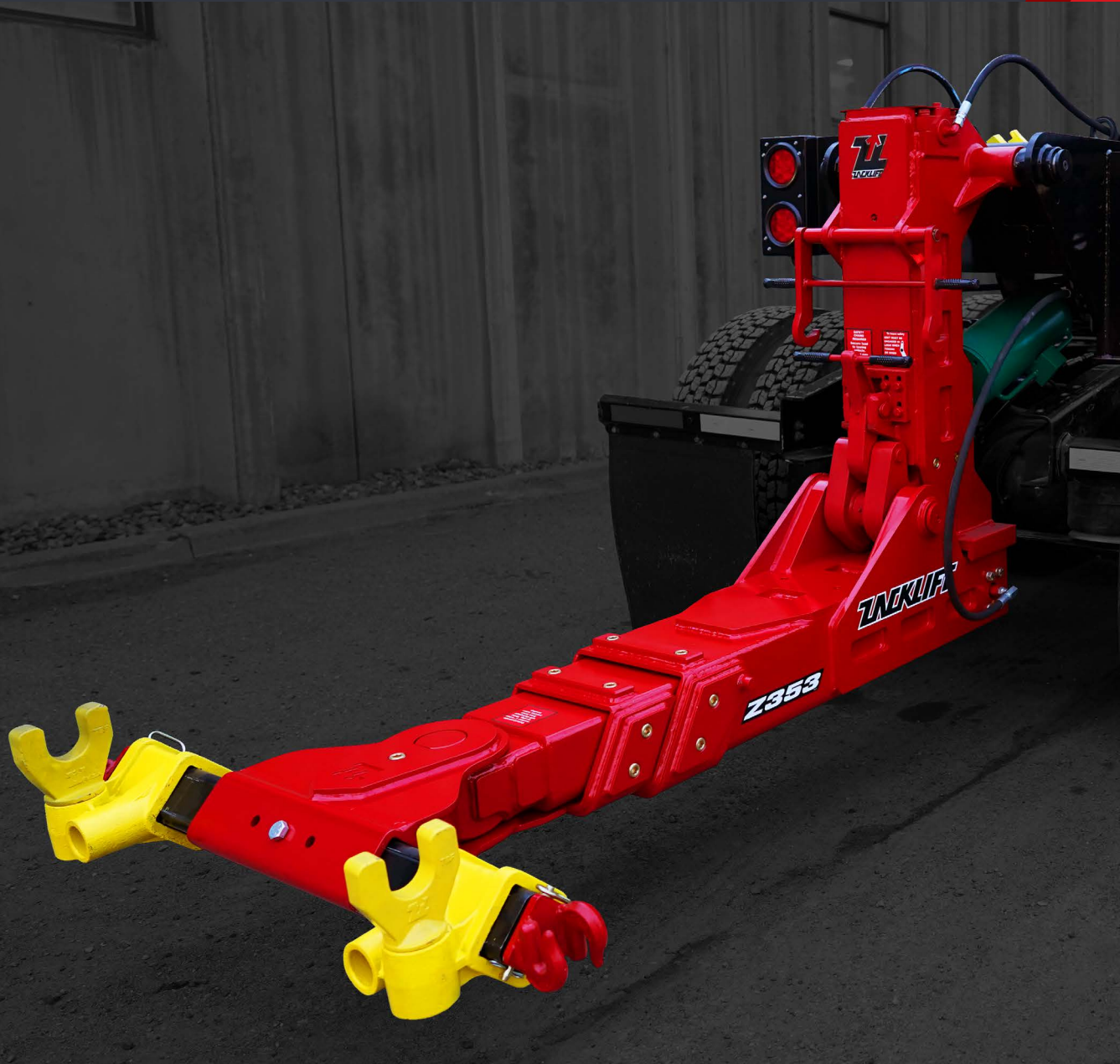


# FIFTHWHEELER

## Z353

DETACHABLE

THE WORLD LEADER IN HEAVY DUTY  
DETACHABLE TOWING.



The Zacklift FIFTHWHEELER will transform any truck into a money making or money saving heavy duty transporter loaded with standard tools to move any rig every time, damage free. The FIFTHWHEELER is available in 3 heavy duty models Z453, Z353, and Z252.

Designed for "general" heavy duty towing, the Z353 FIFTHWHEELER is perfect for moving motor homes, buses, and heavy trucks. The Z353 incorporates the unique channel-in-channel under lift boom design that responds better to rough roads and loads that bounce. The FIFTHWHEELER transports everything a heavy duty tow truck can, at a fraction of the price. The unit arrives road ready for immediate use\* and has been engineered with Zacklift trademark ruggedness to stand up to the demands of professional tower's day-in and day-out use and still outlast the truck. The FIFTHWHEELER drops in place on any tractor with no modification and no welding. Move the FIFTHWHEELER from truck to truck if required and remove it with a drive off procedure just like a trailer.

**Customer quote:**

"I have 2 trucks that I change my Zacklift FIFTHWHEELER back and forth on. It's easy and there's nothing out there that compares. It just works great."

Colby TX - Butch Cox / Butch's Body Shop

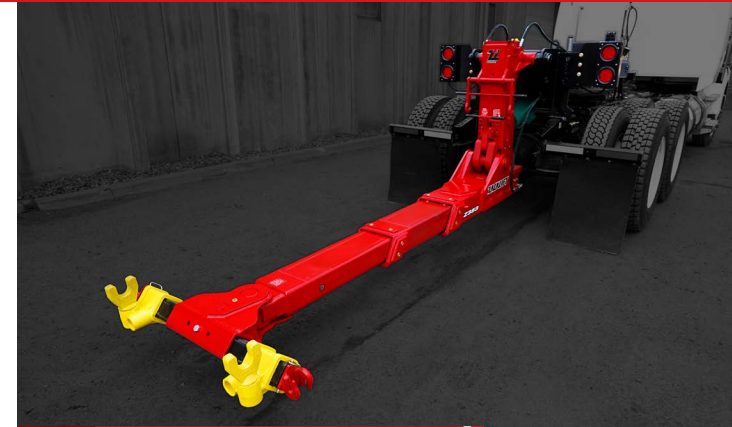
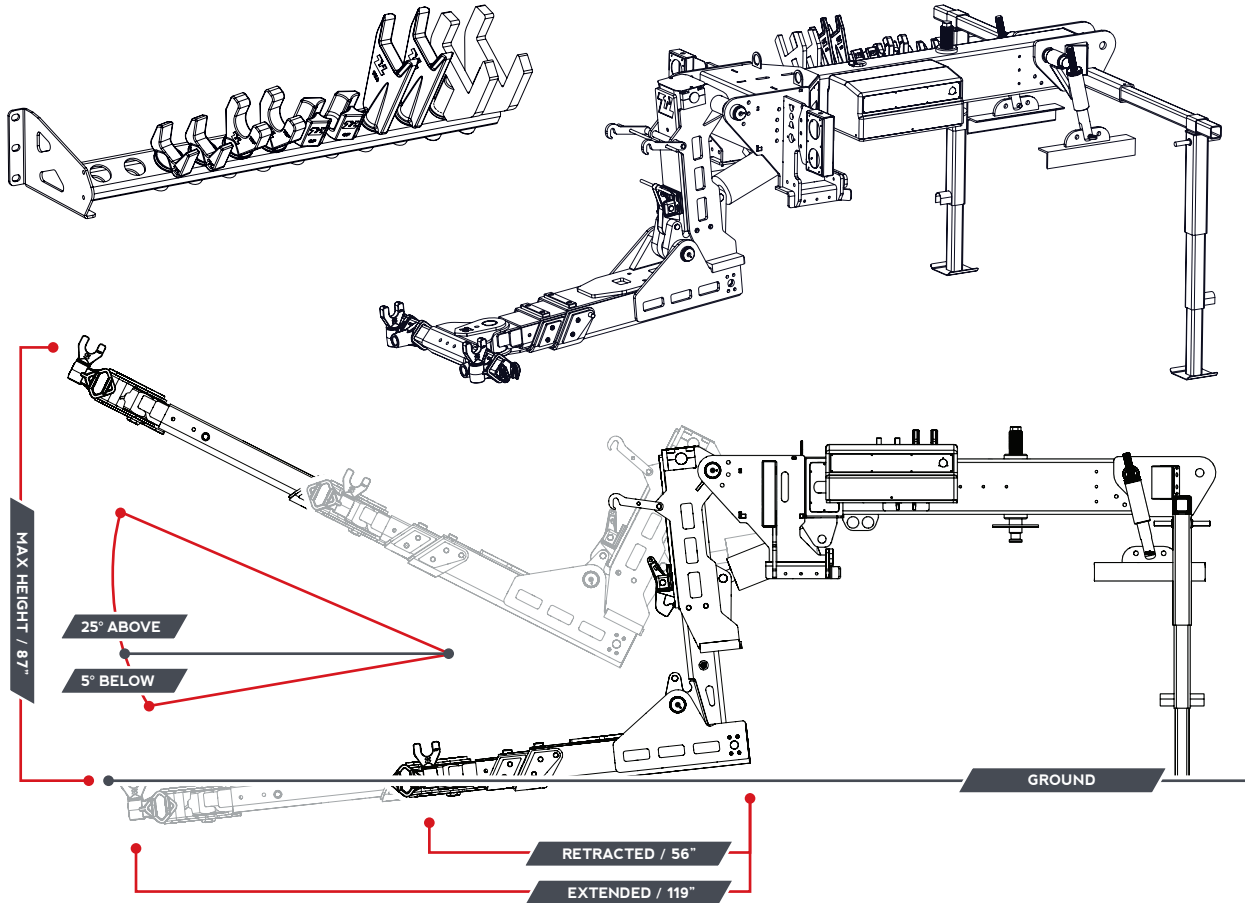
\*Some minor assembly and installation is required.



# FIFTH WHEELER Z353

## DETACHABLE

PART NUMBER / 5TH-Z353



STANDARD / OPTIONAL

### Z353 DETACHABLE STANDARD EQUIPMENT

- 25' corded remote control
- Fork Rack
- 1" x 2.5" Fork (Pair)
- Torsion Bar Fork (Pair)
- 6" x 6.5" Fork (Pair)
- 9" x 4" Fork (Pair)
- Chain Fork slotted for 1/2" to 5/8" Chain (Pair)
- Chain Blocks (Pair)
- Universal Fork Receiver (Pair)
- 12" Reach Extender (Pair)
- 2ea Safety Chains & Storage
- 36" LED wireless light bar
- Quick Disconnect for Air Breaks & Air Tools
- Stop, Turn and Tail Lights

### Z353 DETACHABLE OPTIONS

- 6 or 8 Button Wireless Remote
- 25k Stifflegs w/ 13" Flip Feet (Weld On)
- 38k Stifflegs w/ 18" Flip Feet (Weld On)
- Warn 20k or 30k Hydraulic Winch w/ 200' 1/2" Wire Rope
- Saddle Bag Toolbox w/ Roll Up Door & Adjustable Shelves
- Zacklift Aerodyne Toolboxes
- Zacklift Aluminum Light Pylon
- Custom Aluminum Round or Straight Style Fenders
- Fifthwheel Hitch with 20k Pintel & 2-5/16" Ball Combination
- LED Work Lights
- Heavy Duty Wheel Lift
- Specialty Forks
- Custom Graphic Toolbox Wrap
- Custom Paint

\* Minor Assembly Required



### CAPACITY SPECIFICATIONS

LIFT CAPACITY - RETRACTED / 35,000 LBS

LIFT CAPACITY - EXTENDED / 16,000 LBS

TOW CAPACITY / 85,000 LBS

UNDER LIFT TILT ABOVE GROUND / 25 DEG

UNDER LIFT TILT BELOW GROUND / 5 DEG

REACH RETRACTED / 56 IN

REACH EXTENDED / 119 IN

MAX REACH W/ 12" EXTENSION / 131 IN

LIFT HEIGHT / 87 IN

UNIT WEIGHT / 5,115 LBS

# FIFTHWHEELER

## Z453

DETACHABLE

**THE WORLD LEADER IN HEAVY DUTY  
DETACHABLE TOWING.**



The Zacklift FIFTHWHEELER will transform any truck into a money making or money saving heavy duty transporter loaded with standard tools to move any rig every time, damage free. The FIFTHWHEELER is available in 3 heavy duty models Z453, Z353, and Z252.

Designed for "super" heavy duty towing, the Z453 FIFTHWHEELER is perfect for moving large motorhomes, multisesion public buses, cement trucks, and garbage trucks. The Z453 incorporates the unique channel-in-channel underlift boom design that responds better to rough roads and loads that bounce. The FIFTHWHEELER transports everything a heavy duty tow truck can, at a fraction of the price. The unit arrives road ready for immediate use\* and has been engineered with Zacklift trademark ruggedness to stand up to the demands of professional tower's day-in and day-out use and still outlast the truck. The FIFTHWHEELER drops in place on any tractor with no modification and no welding. Move the FIFTHWHEELER from truck to truck if required and remove it with a drive off procedure just like a trailer.

**Customer quote:**

"We have a Z453. It's has the best reach, performance and value."

Western Australia - Rob Water / Daynite Towing

\*Some minor assembly and installation is required.

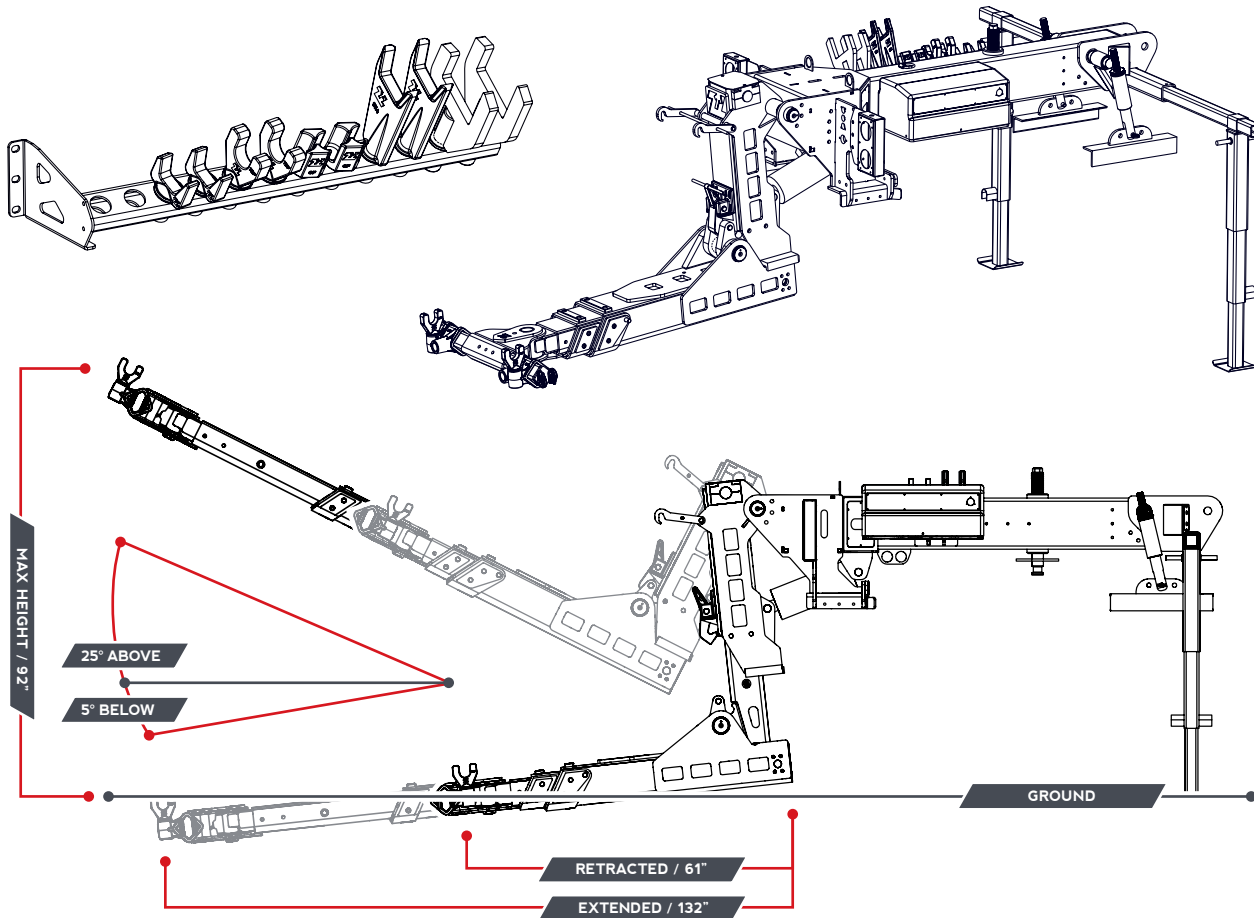


# FIFTH WHEELER Z453

## DETACHABLE



PARTS NUMBER / 5TH-Z453



### CAPACITY SPECIFICATIONS

LIFT CAPACITY - RETRACTED / 45,000 LBS

LIFT CAPACITY - EXTENDED / 20,000 LBS

TOW CAPACITY / 100,000 LBS

UNDERLIFT TILT ABOVE GROUND / 25 DEG

UNDERLIFT TILT BELOW GROUND / 5 DEG

REACH RETRACTED / 61 IN

REACH EXTENDED / 132 IN

MAX REACH W/ 12" EXTENSION / 144 IN

LIFT HEIGHT / 92 IN

UNIT WEIGHT / 5,805 LBS

### STANDARD / OPTIONAL

#### Z453 DETACHABLE STANDARD EQUIPMENT

- 25' corded remote control
- Fork Rack
- 1" x 2.5" Fork (Pair)
- Torsion Bar Fork (Pair)
- 6" x 6.5" Fork (Pair)
- 9" x 4" Fork (Pair)
- Chain Fork slotted for 1/2" to 5/8" Chain (Pair)
- Chain Blocks (Pair)
- Universal Fork Receiver (Pair)
- 12" Reach Extender (Pair)
- 2ea Safety Chains & Storage
- 36" LED wireless light bar
- Quick Disconnect for Air Breaks & Air Tools
- Stop, Turn and Tail Lights

#### Z453 DETACHABLE OPTIONS

- 6 or 8 Button Wireless Remote
- 25k Stifflegs w/ 13" Flip Feet (Weld On)
- 38k Stifflegs w/ 18" Flip Feet (Weld On)
- Warn 20k or 30k Hydraulic Winch w/ 200' 1/2" Wire Rope
- Saddle Bag Toolbox w/ Roll Up Door & Adjustable Shelves
- Zacklift Aerodyne Toolboxes
- Zacklift Aluminum Light Pylon
- Custom Aluminum Round or Straight Style Fenders
- Fifthwheel Hitch with 20k Pintel & 2-5/16" Ball Combination
- LED Work Lights
- Heavy Duty Wheel Lift
- Specialty Forks
- Custom Graphic Toolbox Wrap
- Custom Paint

\* Minor Assembly Required

