

ZACKLIFT AVAILABLE OPTIONS

32 / REMOTES

33 / LIGHTING

34 / FORKS AND EXTENSIONS

35 / TOOL BOXES

36 / FENDERS AND WHEEL LIFTS

37 / 25K AND 35K STIFFLEGS

38 / WINCH OPTIONS AND ACCESSORIES

**THE WORLD LEADER IN HEAVY DUTY
DETACHABLE TOWING**

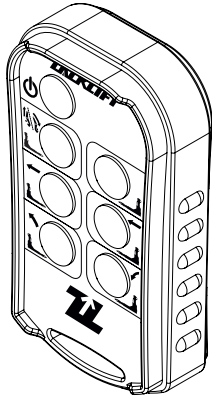


AVAILABLE OPTIONS

THE WORLD LEADER IN HEAVY DUTY
DETACHABLE TOWING.

AVAILABLE FOR ALL FIFTHWHEELERS / EZTOW / & GENESIS MODELS

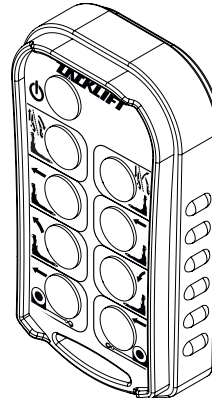
REMOTES



**OPTIONAL: DETACHABLE OR PERMANENT
6 BUTTON WIRELESS REMOTE**

40-WRC6

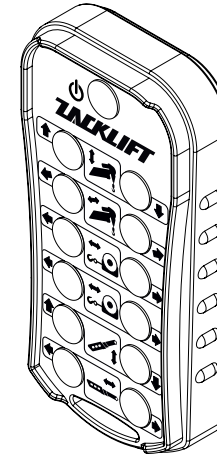
- INCLUDES TRANSMITTER AND RECEIVER
- CONTROLS - FOLD / UNFOLD, LIFT, TILT & EXTEND



**OPTIONAL: DETACHABLE OR PERMANENT
8 BUTTON WIRELESS REMOTE**

40-WRC8

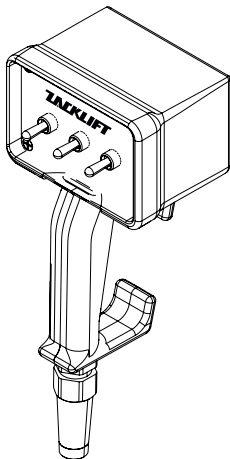
- INCLUDES TRANSMITTER AND RECEIVER
- CONTROLS - FOLD / UNFOLD, LIFT, TILT AND EXTEND
- 2 BUTTONS FOR WINCH CONTROL OPTION



**OPTIONAL: DETACHABLE OR PERMANENT
12 BUTTON WIRELESS REMOTE**

40-WRC12

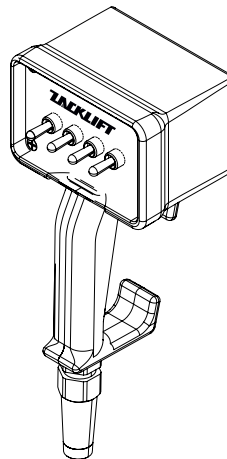
- USED ON GENESIS
- INCLUDES TRANSMITTER AND RECEIVER
- CONTROLS - BOOM EXTEND / RETRACT, WINCH IN / OUT, UNDERLIFT TILT & UNDERLIFT EXTEND / RETRACT



**OPTIONAL: DETACHABLE OR PERMANENT
3 BUTTON 25' CORDED REMOTE**

Z1304-51A

- CORDED REMOTE FOR UNDER LIFT (FOLD/UNFOLD, LIFT, TILT & EXTEND)
- CONTROLS - FOLD / UNFOLD, LIFT, TILT & EXTEND



**OPTIONAL: DETACHABLE OR PERMANENT
4 BUTTON 25' CORDED REMOTE**

Z1304-513

- CORDED REMOTE FOR UNDER LIFT (FOLD/UNFOLD, LIFT, TILT & EXTEND)
- 4TH BUTTON FOR WINCH OPERATION
- CONTROLS - FOLD / UNFOLD, LIFT, TILT & EXTEND

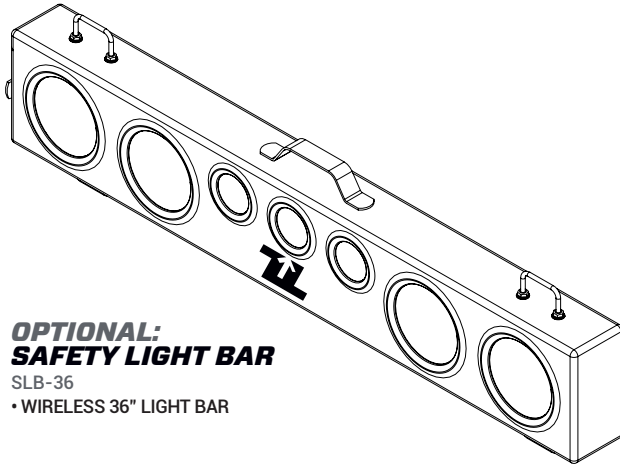


AVAILABLE OPTIONS

THE WORLD LEADER IN HEAVY DUTY
DETACHABLE TOWING.

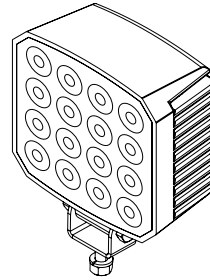
AVAILABLE FOR ALL FIFTHWHEELERS / EZTOW / & GENESIS MODELS

LIGHTING



**OPTIONAL:
SAFETY LIGHT BAR**

SLB-36
• WIRELESS 36" LIGHT BAR



**STANDARD:
3.5" LED WORK LIGHT**

ZL000111

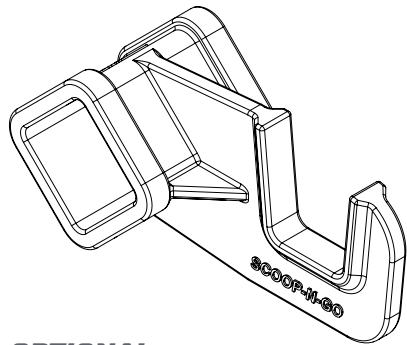


AVAILABLE OPTIONS

THE WORLD LEADER IN HEAVY DUTY
DETACHABLE TOWING.

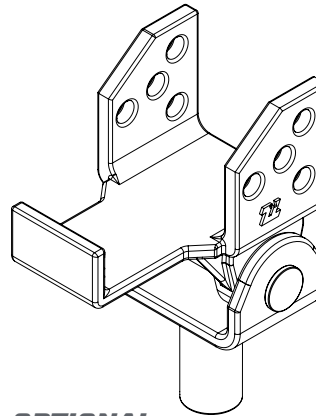
AVAILABLE FOR ALL FIFTHWHEELERS / EZTOW / & GENESIS MODELS

FORKS AND EXTENSIONS



**OPTIONAL:
SCOOP-N-GO**

Z1304-88
• OPENING 4.5" DEEP X 3.5" WIDE



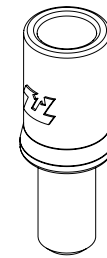
**OPTIONAL:
SPRING FORK**

Z1304-66



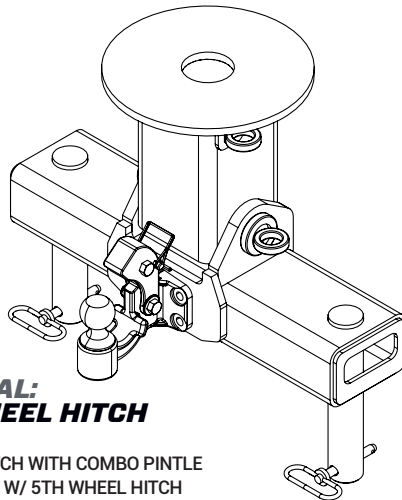
**OPTIONAL:
10" HEIGHT
EXTENSION**

Z1304-81



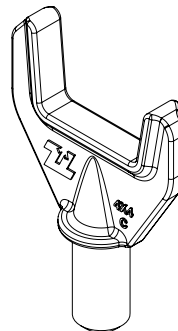
**OPTIONAL:
5" HEIGHT
EXTENSION**

Z1304-81A



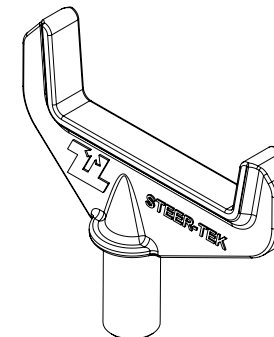
**OPTIONAL:
5TH WHEEL HITCH**

Z10-1025X
• TRAILER HITCH WITH COMBO PINTLE
HOOK & BALL W/ 5TH WHEEL HITCH
• 2 5/16" BALL



**OPTIONAL:
4X4 FORK**

Z1304-4x4C
• OPENING 4" DEEP X 4" WIDE



**OPTIONAL:
STEER-TEK**

Z1304-3x8
• OPENING 3" DEEP X 8" WIDE

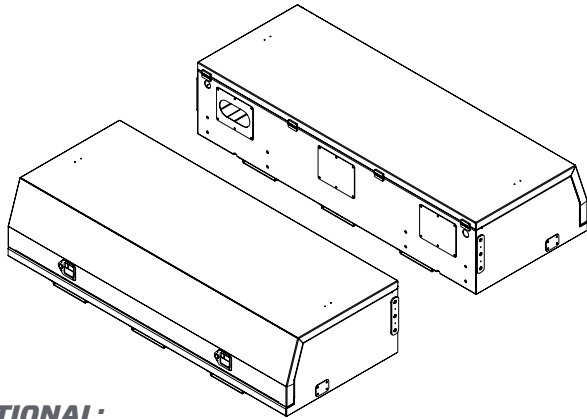


AVAILABLE OPTIONS

THE WORLD LEADER IN HEAVY DUTY
DETACHABLE TOWING.

AVAILABLE FOR ALL FIFTHWHEELERS AND GENESIS MODELS

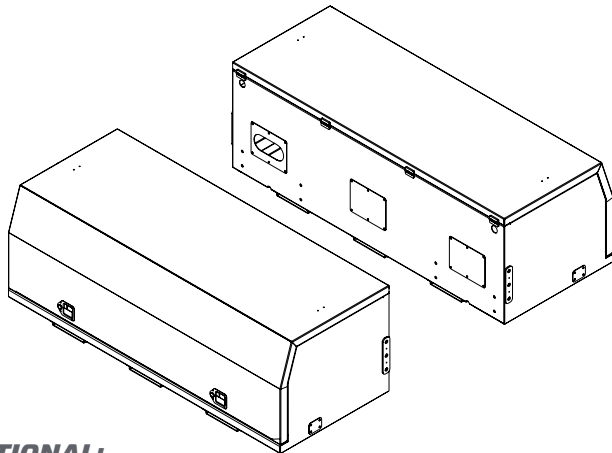
TOOLBOXES



OPTIONAL: STANDARD TOOLBOX

TB-60x24

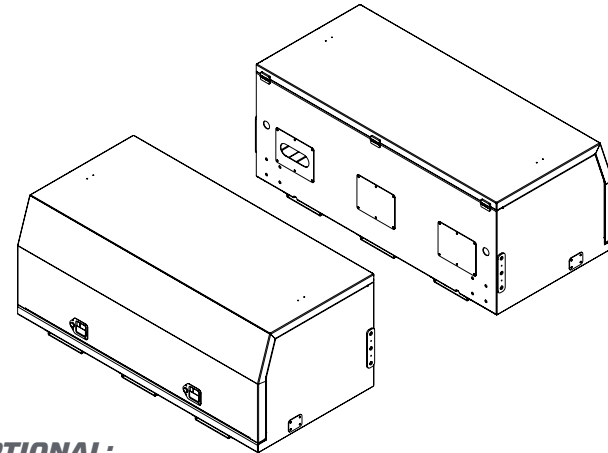
- TOOLBOX ALUMINUM AERODYNE LID
- 72" X 16" X 28.5" TALL TOOL BOX PAIR: 2EA
- FITS FIFTHWHEELER AND GENESIS



OPTIONAL: TALL 6' TOOLBOX

TB-72x24

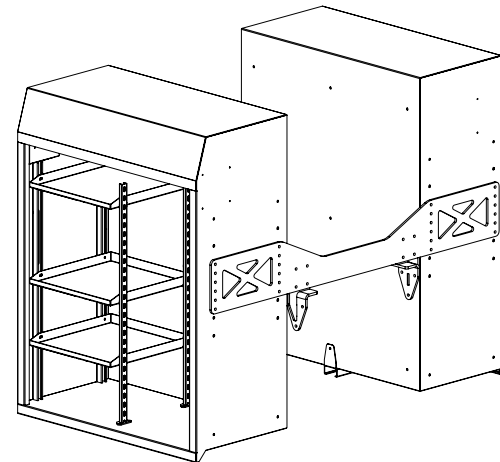
- TOOLBOX ALUMINUM AERODYNE LID
- 72" X 24" X 28.5" TALL TOOL BOX PAIR: 2EA BOX
- FITS FIFTHWHEELER AND GENESIS



OPTIONAL: TALL 5' TOOLBOX

TB-60x24

- TOOLBOX ALUMINUM AERODYNE LID
- 60" X 24" X 28.5" TALL TOOL BOX PAIR: 2EA
- FITS FIFTHWHEELER AND GENESIS



OPTIONAL: SADDLEBAG TOOLBOX

TB-SADDLEBAG-72x56

- 56" WIDE X 72" TALL X 28.5" DEEP
- SOLD AS PAIR W/ ADJUSTABLE CROSS FRAME BRACKETS

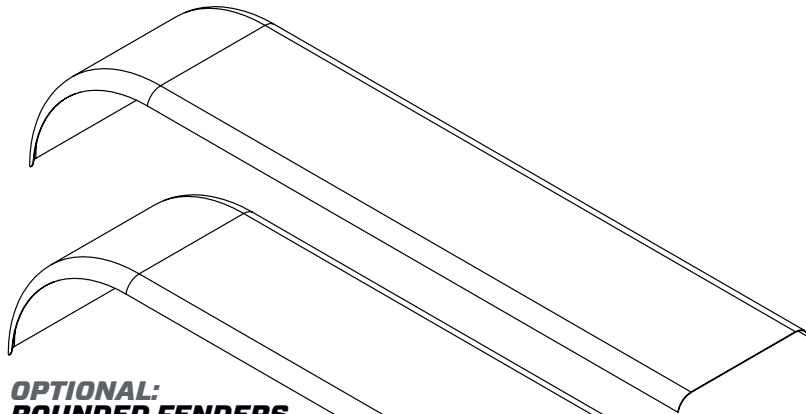


AVAILABLE OPTIONS

THE WORLD LEADER IN HEAVY DUTY
DETACHABLE TOWING.

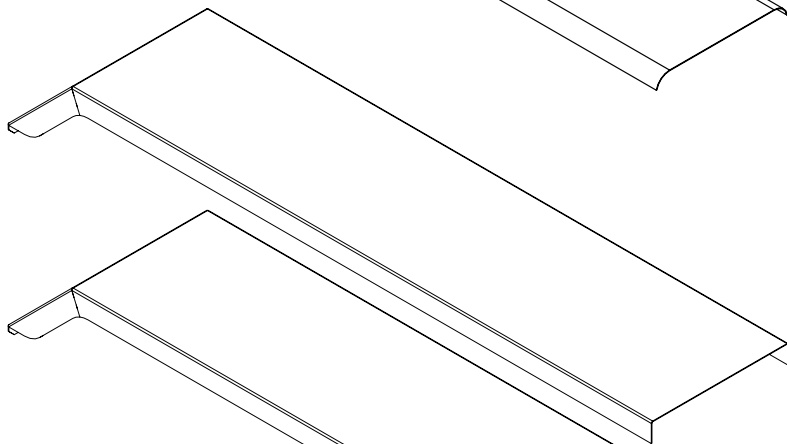
AVAILABLE FOR ALL FIFTHWHEELERS AND GENESIS MODELS

FENDERS AND WHEEL LIFTS



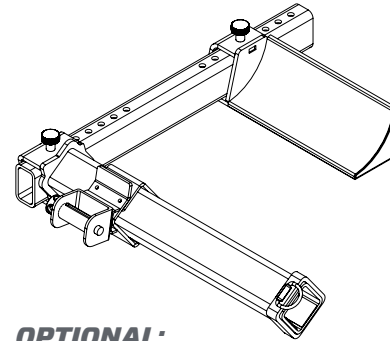
OPTIONAL: ROUNDED FENDERS

- FB-1000
- SMOOTH ALUMINUM FENDER
 - 120" TRIMMABLE - PAIR



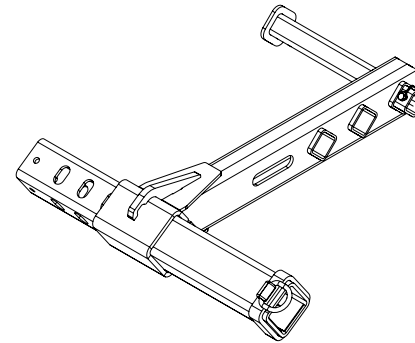
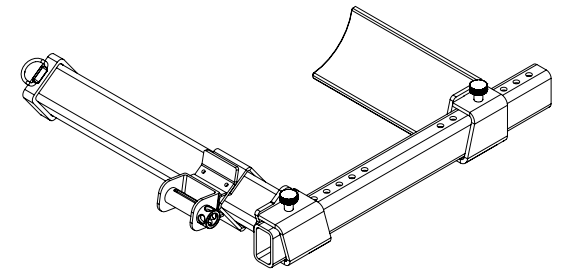
OPTIONAL: STRAIGHT FENDERS

- FB-1200
- FORMED STEEL FENDER, 120"
 - 120" TRIMMABLE - PAIR



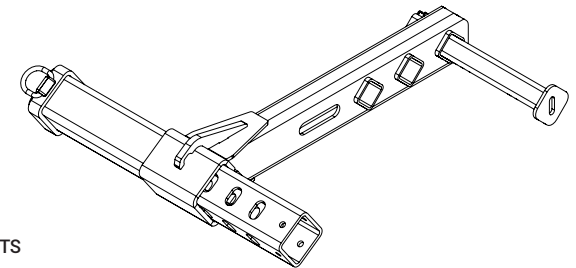
OPTIONAL: HEAVY DUTY WHEEL LIFT

- Z1304-18
- 18,000 LBS RATED WHEEL LIFT
 - INCLUDES: 4 HEAVY DUTY CARGO STRAPS
AND TIGHTENING BAR



OPTIONAL: MEDIUM DUTY WHEEL LIFT

- Z1304-19
- 12,000 LBS RATED WHEEL LIFT
 - INCLUDES: 2" CARGO STRAP AND RATCHETS

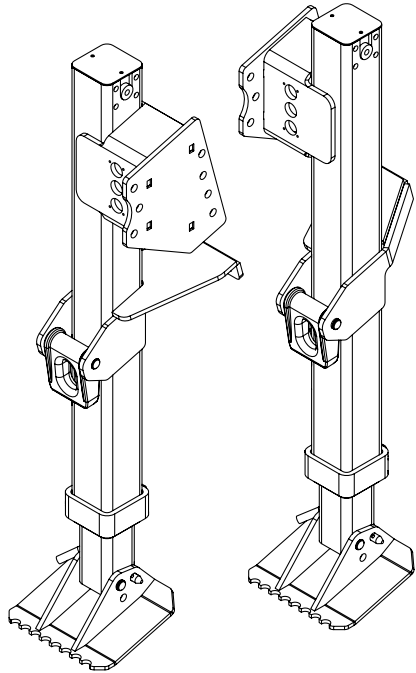


AVAILABLE OPTIONS

THE WORLD LEADER IN HEAVY DUTY
DETACHABLE TOWING.

AVAILABLE FOR ALL FIFTHWHEELERS MODELS

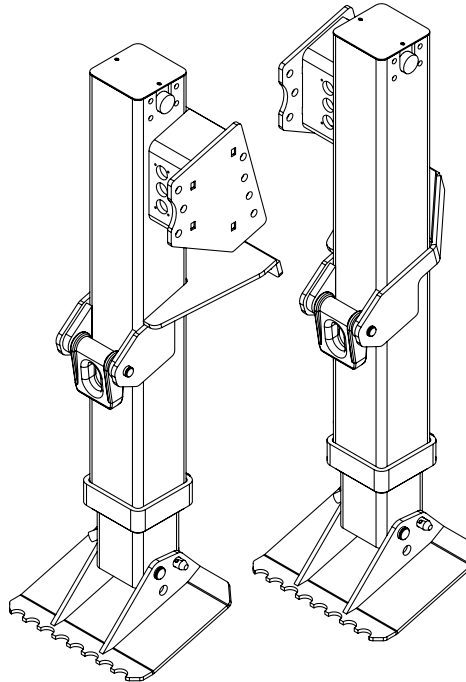
25K AND 35K STIFFLEGS



**OPTIONAL:
25K STIFFLEGS FOR
FIFTHWHEELER**

ZA000011 / ZA000012

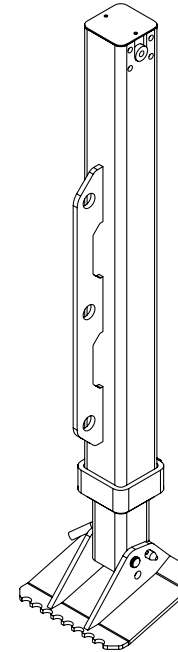
- 5" X 5" PASSENGER SIDE & DRIVERS
SIDE LEG W/ 12.75" WIDE FLIP FOOT



**OPTIONAL:
38K STIFFLEG FOR
FIFTHWHEELER**

ZA000017 / ZA000016

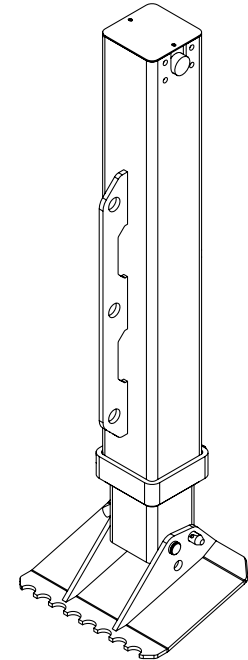
- 7" X 7" PASSENGER SIDE & DRIVERS
SIDE LEG W/ 18" WIDE FLIP FOOT



**OPTIONAL:
WELD ON 25K STIFFLEG**

ZA000051

- 5" X 5" PASSENGER SIDE & DRIVERS
SIDE LEG W/ 12.75" WIDE FLIP FOOT



**OPTIONAL:
WELD ON 38K STIFFLEG**

ZA000021

- 7" X 7" PASSENGER SIDE & DRIVERS
SIDE LEG W/ 18" WIDE FLIP FOOT

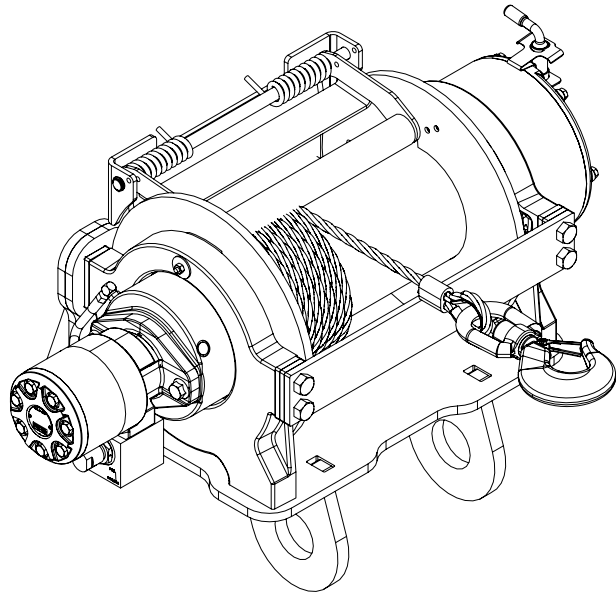


AVAILABLE OPTIONS

THE WORLD LEADER IN HEAVY DUTY
DETACHABLE TOWING.

AVAILABLE FOR ALL FIFTHWHEELERS AND GENESIS MODELS

WINCH OPTIONS AND ACCESSORIES



OPTIONAL: 20K - 30K HYDRAULIC WARN WINCH PACKAGE

5TH-WRN2000 / 5TH-WRN3000
PMT-WRN2000 / PMT-WRN3000

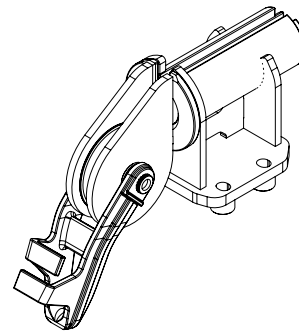
• HYDRAULIC WARN PLANETARY WINCH
INCLUDES: WINCH BRACKET, HYDRAULIC
LINES, VALVE, CABLE GUIDE, LARGE DRUM, 1/2"
X 200' WIRE ROAP, 7 TON SWIVEL HOOK

WINCH COMES WITH CHOICE OF:

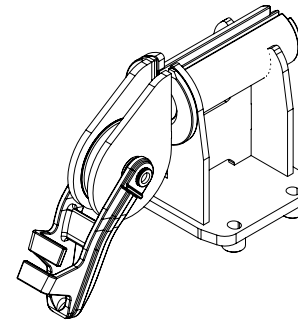
OPTION A - Z252 CABLE GUIDE

OPTION B - Z353 CABLE GUIDE

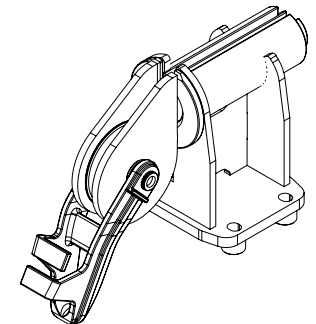
OPTION C - Z453 CABLE GUIDE



**OPTION A:
Z252 CABLE GUIDE**
ZA000025-A



**OPTION B:
Z353 CABLE GUIDE**
ZA000028-A



**OPTION C:
Z453 CABLE GUIDE**
ZA000029-A

