



# DRAUGHT MEASUREMENT

**Provides You with Accurate Data on Your Vessel's Floating Position and You Always Know Your Limits**

Hoppe Marine Draught Measurement solutions monitor the draught of the vessel and determine draught values precisely at perpendiculars and draught marks.

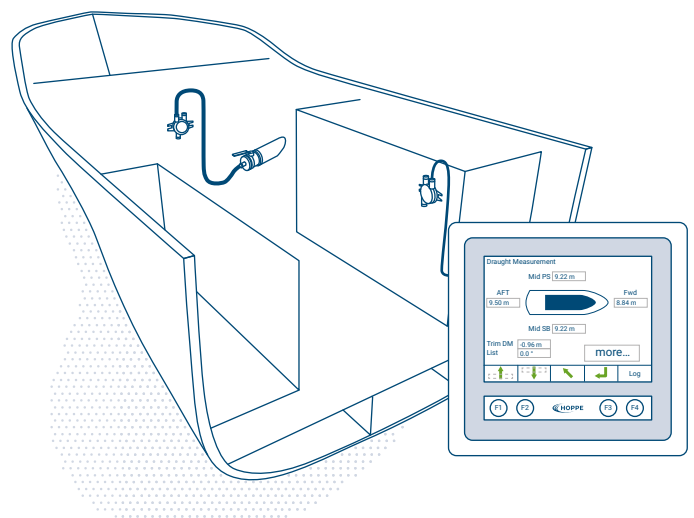
The standard Draught Measurement system configuration includes four measuring points with pressure sensors, located at bow, stern, mid ship port and mid ship starboard.

The hydrostatic pressure sensors HCG 2011 and HCG 4011 have been especially developed to detect the levels in a wide range of liquids with different media properties. The pressure sensors of the HCG series can be configured to the required measuring range, housing material and process adaptor.

The pressure sensor HCG 2011 provides a signal of 4 – 20 mA and allows customised measuring ranges, adjustable via HART protocol. The pressure sensor HCG 4011 is designed with a digital serial BUS interface, which allows cost saving cable loop installations.

## KEY FEATURES

- Precise draught calculation at perpendicular and draught marks
- Trim and heel, sagging and hogging information
- Significant installation cost savings by smart welding block arrangements
- Reliable and accurate in house designed sensors
- Experience on more than 2,800 vessels worldwide
- Made in Germany with competitive market price
- Approved by major classification societies



# OUR PRODUCT RANGE

## CONTROL SYSTEM

- Valve Remote Control
- Anti-Heeling
- FLUME Box Tank – Roll Damping
- INTERING U-Tank – Roll Damping
- Dock Control
- Floating Condition Control

## MEASURING SOLUTIONS

- Tank Content Measurement
- Bunker Management
- Draught Measurement
- Dynamic Draught and Floating Monitoring
- Maihak Shaft Power Meter
- Maihak SHaPoLi
- Fuel Consumption Measurement
- Electronic Inclinator

## INFORMATION SERVICES

- Performance Monitoring
- Crew Connect
- Fleet Connect

## FLEET SERVICES

- Technical Support
- Spare Parts
- Service On Board
- Retrofit

### HAMBURG

#### Headquarter

Kieler Str. 318  
22525 Hamburg  
Germany

### BUSAN

#### Hoppe Korea Co. Ltd.

No 485-3, Gu Pyeong-Dong  
Sa Ha-Gu 604-866 Busan

### SHANGHAI / DALIAN

#### Hoppe China Co., Ltd.

*Shanghai Office*  
German Center, Room 708, Tower 1  
88 Keyuan Road, Pudong District  
201203 Shanghai

*Dalian Office*  
No. N305 Room, Dalian Construction Holding Building  
Quanshui A4-43A, Ganjingzi District  
116000 Dalian

### SINGAPORE

#### Hoppe Singapore Pte., Ltd.

18 Boon Lay Way # 04-93  
609966 Singapore

