



# Colossus 86"

Specification Sheet



COLOSSUS SPEC SHEET v3.1 / U.S. Patent No. 10225509 / EFFECTIVE 4/10/2024  
*Specifications are subject to change without notice.*



The Colossus is an 86" 4K Ultra HD multitouch table large enough for engaging group interaction. It features projected capacitive touch technology with support for 40 simultaneous touch points and an LG 4K Ultra HD commercial monitor rated 24/7. The Colossus has support for tangible object recognition.



The Colossus features a powerful integrated Intel™ 14th Gen Core processor, the latest NVIDIA™ discrete graphics card, and locking push-button operation. The Colossus comes standard with Windows 11 Pro and can run any supported PC applications.



# Colossus

Specification Sheet

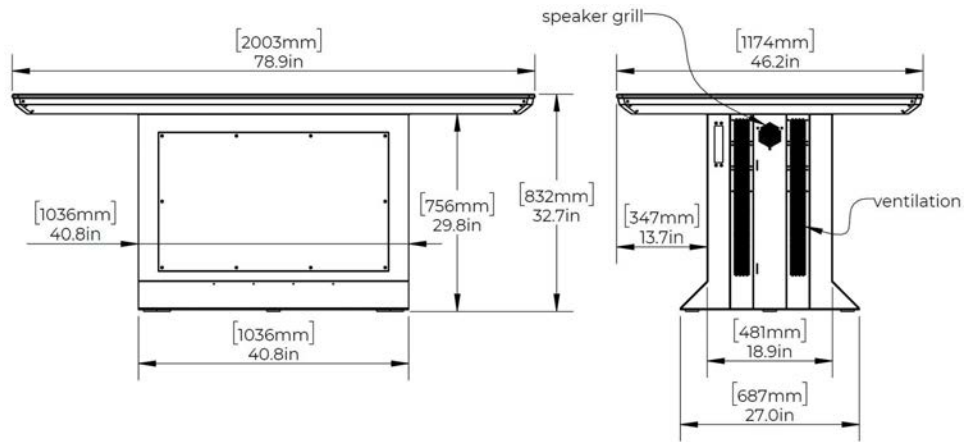
The Colossus is built with an aluminum chassis and frame covered with a durable powder coat. Ideum displays use a patented manufacturing method. Designed and built in the USA, it ships as a complete turnkey system with lockable push-button operation. It doesn't require a technician or any special installation setup—just plug it in and turn it on. All of Ideum's hardware is backed by our three-year warranty.



**This remarkable touch table is in some of the world's busiest museums,**

**including the Smithsonian National Air and Space Museum, the Smithsonian National Museum of the American Indian, and the Smithsonian Cooper Hewitt Design Museum.**





**WEIGHT**  
450 LBS  
204 KG\*

**SHIP WEIGHT**  
850 LBS  
386 KG\*

\*Weights may vary slightly.

## Interactive Display

- › 86" UHD (3840x2160) LG 4K commercial display rated 24/7
- › 86" diagonal, strengthened, anti-stiction, 6mm glass surface
- › Zytronic projected-capacitive touch sensor
- › <16ms touch response time
- › 40 simultaneous touch points with palm rejection
- › Native contrast ratio 1200:1
- › 500 nit (cd/m<sup>2</sup>) luminance

## Integrated System

- › Single push-button power
- › Custom lockable enclosure
- › Windows 11 Pro
- › Universal 110-240V power system
- › 4 amps or 400W at max load, approximately 1 amp at idle
- › Stereo amplifier with two 90W Yamaha speakers

### STANDARD

- › Intel 14th Gen Core i7-14700K processor
- › NVIDIA RTX 4000 16GB Ada Generation graphics card
- › 32GB DDR5 RAM
- › Dual 250GB M.2 NVMe SSD

### ULTIMATE

- › Intel 14th Gen Core i9-14900K processor
- › NVIDIA GeForce RTX 4090 24GB graphics card
- › 192GB DDR5 RAM
- › 2TB M.2 NVMe SSD
- › Optional liquid-cooled system

## Connectivity

- › TPM/TPP compatible for secure environments
- › WiFi 802.11 a/b/g/n/ac, Ethernet, Bluetooth 5.0
- › Wireless keyboard with integrated trackpad
- › Direct access via USB ports
- › Audio output via 1/8" audio jack
- › HDMI output (PC)
- › RFID (optional)
- › Communication hardware can be removed upon request for secure environments

## Customizations



### Colors and Finishes

Available in hundreds of RAL color and finish options. (1–2 weeks additional lead time.)



### Ultimate Computer Upgrade

- › Intel 14th Gen Core i9-14900k processor
- › NVIDIA GeForce RTX 4090 24GB graphics card
- › 2TB M.2 NVMe SSD
- › 192GB DDR5 RAM
- › Optional liquid-cooled system

## Software



The Colossus touch table comes with Windows 11 Pro and supports PC applications. Applications that are optimized for touch work best.

Ideum offers custom software development. We have experience developing interactive applications, mostly for public spaces. Our expertise in a broad range of programming environments allows our work to span the realms of informal and formal education, interactive technology, art, and entertainment.

### ALSO AVAILABLE



#### Tangible Authoring

Ideum multitouch tables support the Tangible Engine object recognition SDK.

Tangible Engine 2 is an authoring environment supporting the use of fiducial object recognition on Ideum multitouch tables. This software allows for the unique recognition of objects with 3D printed conductive patterns. Tangible Engine 2 includes test objects, a Visualizer / Configurator Tool, an SDK, and documentation.

Pricing and more information can be found at: [tangibleengine.com](https://tangibleengine.com)



#### RFID Utility

Ideum multitouch products include an optional RFID utility for enhanced functionality.

Our new and improved RFID software allows you to automate system tasks, launch and switch applications, and more with a single movement. This useful utility is free for Ideum touch table owners.

Learn more at: [ideum.com/news/rfid-reader-app](https://ideum.com/news/rfid-reader-app)



# Colossus

Specification Sheet

## About Ideum

Ideum designs experiences for public spaces, offering exhibit design, AV, and software development services to museums, nonprofits, and socially responsible companies. We are proudly based in Corrales, New Mexico, and collaborate with creative partners worldwide.

### SALES & DESIGN INQUIRIES

We sell our multitouch tables and displays directly, both in the USA and internationally. Ask us how to turn your interactive goals into amazing reality.

Use our [online inquiry form](#)  
Email: [sales@ideum.com](mailto:sales@ideum.com)  
Phone: (505) 792-1110 ext. 1

### WARRANTY & SUPPORT

Our products are custom-built with only the highest quality components available and are designed to last. We back all of our hardware, including custom exhibits, with a three-year warranty. The same people who design and build our systems provide our timely support.

Submit a ticket: [support.ideum.com](https://support.ideum.com)  
Email: [support@ideum.com](mailto:support@ideum.com)  
Phone: (505) 792-1110 ext. 2

**Hours: 8:00 AM – 5:00 PM Mountain Time, Monday through Friday.**

The Colossus, Drafting, Pano, Platform, Pico, Pro, Reader Rail, and Inline touch tables and the Portrait and Presenter touch displays from Ideum are designed, manufactured, and made in the USA of U.S. and imported parts.



Compliant with height and reach requirements for the Americans with Disabilities Act standards for accessibility. Learn more about Ideum's commitment to accessibility at [www.ideum.com/ada](http://www.ideum.com/ada)

*IMPORTANT NOTICE TO PURCHASER: Specifications are subject to change without notice. Ideum hardware and software are warrantied from the date of receipt to the period stated in the warranty. Please note that under Ideum's warranty, Ideum has no obligation for any hardware product that is modified or damaged through misuse, accident, neglect, or subsequent integration, service, or tampering, by anyone other than Ideum or an Ideum-approved entity or individual. Ideum makes no additional warranties, express or implied, including but not limited to any fitness for a particular purpose. The User is responsible for determining whether Ideum hardware products or software are fit for the User's particular purpose. If the hardware product or software are proven not to have met Ideum's warranty, then Ideum's sole obligation and User's and Purchaser's exclusive remedy will be, at Ideum's option, to repair or replace the product or refund its purchase price. Ideum shall not be liable in any action against it in any way related to the hardware products or software for any loss or damages, whether non-specified, direct, indirect, special, incidental or consequential (including downtime, loss of profits or goodwill) regardless of the legal theory asserted. Please see our full warranty for complete details.*

