



Pro 49", 55", 65", 75" (8k)

Specification Sheet





The Pro is Ideum’s most powerful and expandable high-performance multitouch table. It is available with 49”, 55”, 65” and 75” displays. The Pro includes a 4K Ultra HD LG commercial display rated 24/7, and industry-leading touch technology from TES (formerly 3M™) with support for 80 touch points. It also supports tangible object recognition. The 75” uses an LG 8k display with a Displax touch sensor with support for 40 touch points.

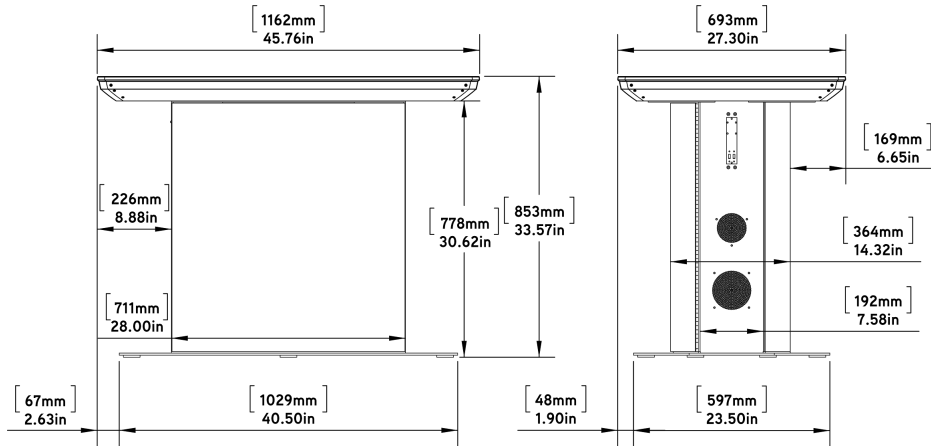


The Pro is equipped with a powerful integrated Intel™ 14th Gen Core processor, the latest NVIDIA™ discrete graphics card, and single push-button power, and it can be upgraded with additional storage. The Pro touch table comes standard with Windows 11 Pro and can run any supported PC applications. It is well-suited for processor and graphic intensive applications.

The Pro comes with a full workstation computer inside the base. The Pro is crafted from aircraft-grade aluminum and covered with a durable powder coat.



Ideum displays use a patented manufacturing method. The Pro is designed and built in the USA and ships as a complete turnkey system with lockable, push-button operation—just plug it in and turn it on. All of Ideum’s hardware is backed by a three-year warranty.



| |
|---|
| WEIGHT 230 LBS 104 KG* |
| SHIP WEIGHT 390 LBS 117 KG* |
| W/ TRAVEL CASE 420 LBS 190 KG* |

*Weights may vary slightly.

Interactive Display

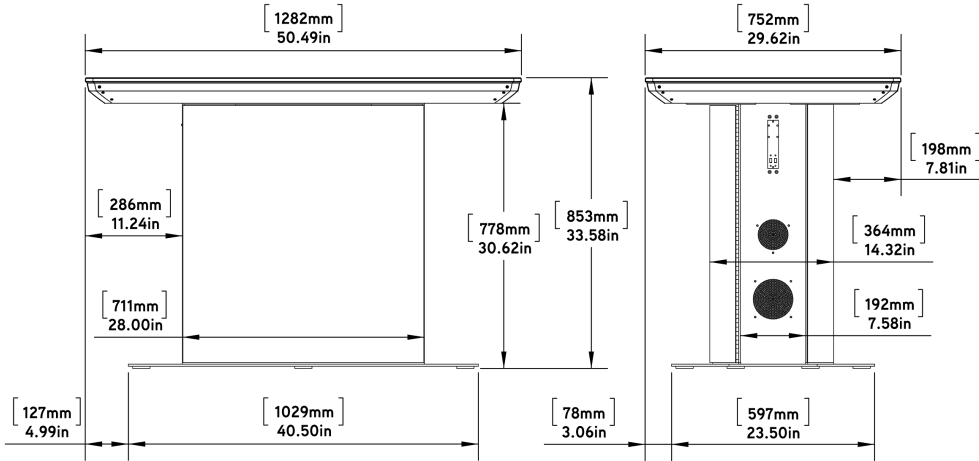
- › 4K UHD (3840x2160) LG commercial display rated 24/7
- › 49" diagonal, strengthened, anti-stiction, 4mm glass surface
- › TES (formerly 3M™) projected capacitive touch sensor
- › ±5 ms touch response time
- › 80 touch points with palm rejection
- › Native contrast ratio 1100:1
- › 500 nit (cd/m²) luminance

Integrated System

- | | | |
|--|--|--|
| <ul style="list-style-type: none"> › Single push-button power › Custom lockable enclosure › Windows 11 Pro › Universal 110-240V power system › 4 amps or 400W at max load, approximately 1 amp at idle › Stereo amplifier with two 90W Yamaha speakers | <p>PRO</p> <ul style="list-style-type: none"> › Intel 14th Gen Core i7-14700K processor › NVIDIA RTX 4000 16GB Ada Generation graphics card › 32GB DDR5 RAM › Dual 250GB M.2 NVMe SSD | <p>PRO LAB</p> <ul style="list-style-type: none"> › Intel 14th Gen Core i9-14900K processor › NVIDIA GeForce RTX 4080 16GB graphics card › 64GB DDR5 RAM › Dual 250GB M.2 NVMe SSD › Full ATX motherboard with additional PCIe slots for customization options |
|--|--|--|

Connectivity

- › TPM/TPP compatible for secure environments
- › WiFi 802.11 a/b/g/n/ac, Ethernet, Bluetooth 5.0
- › Direct access via USB ports
- › Wireless keyboard with integrated trackpad
- › Audio output via 1/8" audio jack
- › HDMI output (PC)
- › RFID (optional)
- › Communication hardware can be removed upon request for secure environments



WEIGHT
240 LBS
109 KG*

SHIP WEIGHT
400 LBS
181 KG*

W/ TRAVEL CASE
425 LBS
193 KG*

**Weights may vary slightly.*

Interactive Display

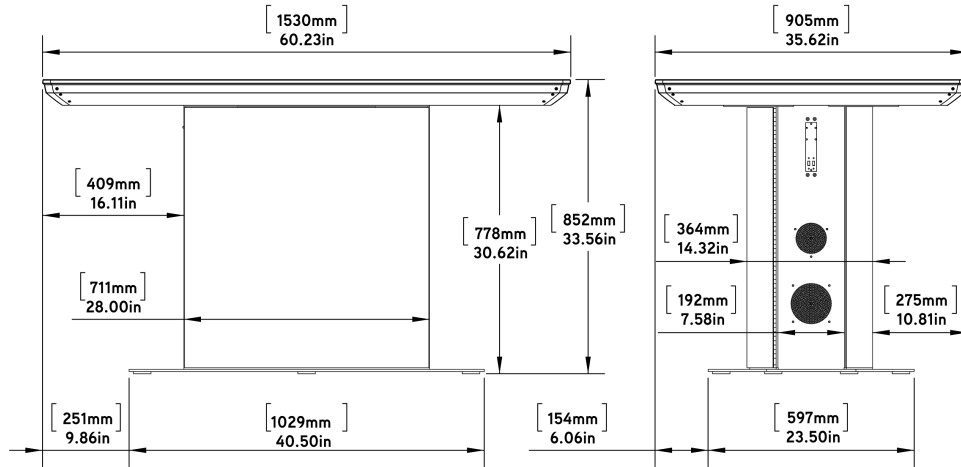
- › 4K UHD (3840x2160) LG commercial display rated 24/7
- › 55" diagonal, strengthened, anti-stiction, 4mm glass surface
- › TES (formerly 3M™) projected capacitive touch sensor
- › ±5 ms touch response time
- › 80 touch points with palm rejection
- › Native contrast ratio 1100:1
- › 500 nit (cd/m2) luminance

Integrated System

- | | | |
|--|---|---|
| <ul style="list-style-type: none"> › Single push-button power › Custom lockable enclosure › Windows 11 Pro › Universal 110-240V power system › 4 amps or 400W at max load, approximately 1 amp at idle › Stereo amplifier with two 90W Yamaha speakers | <p>PRO</p> <ul style="list-style-type: none"> › Intel 14th Gen Core i7-14700K processor › NVIDIA RTX 4000 16GB Ada Generation graphics card › 32GB DDR5 RAM › Dual 250GB M.2 NVMe SSD | <p>PRO LAB</p> <ul style="list-style-type: none"> › Intel 14th Gen Core i9-14900K processor › NVIDIA GeForce RTX 4080 16GB graphics card › 64GB DDR5 RAM › Dual 250GB M.2 NVMe SSD › Full ATX motherboard with additional PCIe slots for customization options |
|--|---|---|

Connectivity

- › TPM/TPP compatible for secure environments
- › WiFi 802.11 a/b/g/n/ac, Ethernet, Bluetooth 5.0
- › Direct access via USB ports
- › Wireless keyboard with integrated trackpad
- › Audio output via 1/8" audio jack
- › HDMI output (PC)
- › RFID (optional)
- › Communication hardware can be removed upon request for secure environments



| |
|-----------------------|
| WEIGHT |
| 286 LBS |
| 130 KG* |
| SHIP WEIGHT |
| 491 LBS |
| 223 KG* |
| W/ TRAVEL CASE |
| 517 LBS |
| 234 KG* |

**Weights may vary slightly.*

Interactive Display

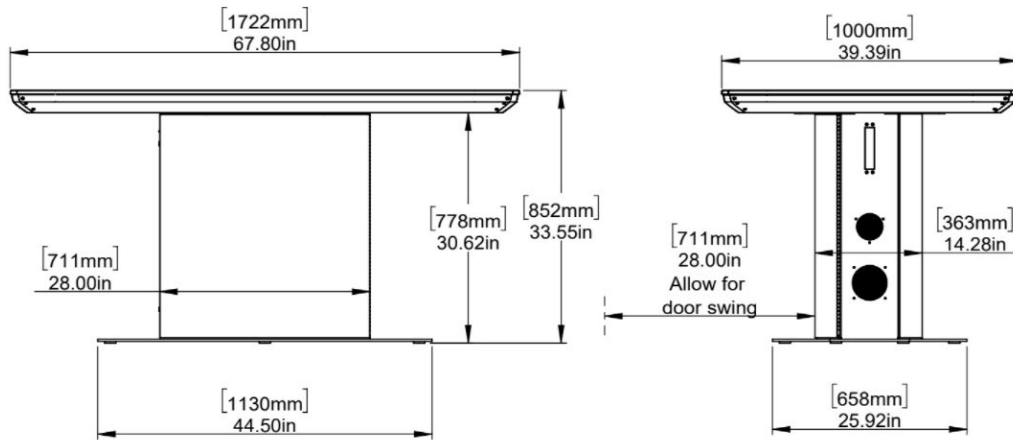
- › 4K UHD (3840x2160) LG commercial display rated 24/7
- › 49" diagonal, strengthened, anti-stiction, 4mm glass surface
- › TES (formerly 3M™) projected capacitive touch sensor
- › ±5 ms touch response time
- › 80 touch points with palm rejection
- › Native contrast ratio 1100:1
- › 500 nit (cd/m2) luminance

Integrated System

- | | | |
|--|--|--|
| <ul style="list-style-type: none"> › Single push-button power › Custom lockable enclosure › Windows 11 Pro › Universal 110-240V power system › 4 amps or 400W at max load, approximately 1 amp at idle › Stereo amplifier with two 90W Yamaha speakers | <p>PRO</p> <ul style="list-style-type: none"> › Intel 14th Gen Core i7-14700K processor › NVIDIA RTX 4000 16GB Ada Generation graphics card › 32GB DDR5 RAM › Dual 250GB M.2 NVMe SSD | <p>PRO LAB</p> <ul style="list-style-type: none"> › Intel 14th Gen Core i9-14900K processor › NVIDIA GeForce RTX 4080 16GB graphics card › 64GB DDR5 RAM › Dual 250GB M.2 NVMe SSD › Full ATX motherboard with additional PCIe slots for customization options |
|--|--|--|

Connectivity

- › TPM/TPP compatible for secure environments
- › WiFi 802.11 a/b/g/n/ac, Ethernet, Bluetooth 5.0
- › Direct access via USB ports
- › Wireless keyboard with integrated trackpad
- › Audio output via 1/8" audio jack
- › HDMI output (PC)
- › RFID (optional)
- › Communication hardware can be removed upon request for secure environments



WEIGHT
306 LBS
139 KG*

SHIP WEIGHT
531 LBS
241 KG*

W/ TRAVEL CASE
567 LBS
257 KG*

**Weights may vary slightly.*

Interactive Display

- › 8K UHD (7680 x 4320) LG display
- › 75" diagonal, strengthened, anti-stiction, 4mm glass surface
- › Displax projected capacitive touch sensor
- › ±5 ms touch response time
- › 40 touch points with palm rejection
- › Native contrast ratio 1100:1
- › 500 nit (cd/m2) luminance

Integrated System

- › Single push-button power
- › Custom lockable enclosure
- › Windows 11 Pro
- › Universal 110-240V power system
- › 4 amps or 400W at max load, approximately 1 amp at idle
- › Stereo amplifier with two 90W Yamaha speakers

PRO LAB

- › Intel 14th Gen Core i9-14900k processor
- › NVIDIA GeForce RTX 4080 16GB graphics card
- › 64GB DDR5 RAM
- › Dual 250GB M.2 NVMe SSD
- › Full ATX motherboard with additional PCIe slots for customization options

ULTIMATE

- › Intel 14th Gen Core i9-14900k processor
- › NVIDIA GeForce RTX 4090 24GB graphics card
- › Dual 2TB M.2 NVMe SSD
- › 192GB DDR5 RAM
- › Optional liquid cooled system

Connectivity

- › TPM/TPP compatible for secure environments
- › WiFi 802.11 a/b/g/n/ac, Ethernet, Bluetooth 5.0
- › Direct access via USB ports
- › Wireless keyboard with integrated trackpad
- › Audio output via 1/8" audio jack
- › HDMI output (PC)
- › RFID (optional)
- › Communication hardware can be removed upon request for secure environments

Customizations



Clip-on Casters

These sturdy casters make it easy to move the touch table, and are easily retractable to provide a stable surface when the table is in use.



Colors and Finishes

Available in hundreds of RAL color and finish options. (1–2 weeks additional lead time.)



ATA Flight Case

Reusable travel case with locking casters and locking latch clasps.



Ultimate Computer Upgrade

- > Intel 14th Gen Core i9-14900k processor
- > NVIDIA GeForce RTX 4090 24GB graphics card
- > 2TB M.2 NVMe SSD
- > 192GB DDR5 RAM
- > Optional liquid cooled system

Software



The Pro touch table comes with Windows 11 Pro and supports PC applications. Applications that are optimized for touch work best.

Ideum offers custom software development. We have experience developing interactive applications, mostly for public spaces. Our expertise in a broad range of programming environments allows our work to span the realms of informal and formal education, interactive technology, art, and entertainment.

ALSO AVAILABLE



Tangible Authoring

Ideum multitouch tables support the **Tangible Engine** object recognition SDK.

Tangible Engine 2 is an authoring environment supporting the use of fiducial object recognition on Ideum multitouch tables. This software allows for the unique recognition of objects with 3D printed conductive patterns. Tangible Engine 2 includes test objects, a Visualizer / Configurator Tool, an SDK, and documentation.

Pricing and more information can be found at: tangibleengine.com



RFID Utility

Ideum multitouch products include an optional **RFID** utility for enhanced functionality.

Our new and improved RFID software allows you to automate system tasks, launch and switch applications, and more with a single movement. This useful utility is free for Ideum touch table owners.

Learn more at: ideum.com/news/rfid-reader-app

About Ideum

Ideum designs experiences for public spaces, offering exhibit design, AV, and software development services to museums, nonprofits, and socially responsible companies. We are proudly based in Corrales, New Mexico, and collaborate with creative partners worldwide.

SALES & DESIGN INQUIRIES

We sell our multitouch tables and displays directly, both in the USA and internationally. Ask us how to turn your interactive goals into amazing reality.

Use our [online inquiry form](#)
Email: sales@ideum.com
Phone: (505) 792-1110 ext. 1

WARRANTY & SUPPORT

Our products are custom-built with only the highest quality components available and are designed to last. We back all of our hardware, including custom exhibits, with a three-year warranty. The same people who design and build our systems provide our timely support.

Submit a ticket: support.ideum.com
Email: support@ideum.com
Phone: (505) 792-1110 ext. 2

Hours: 8:00 AM – 5:00 PM Mountain Time, Monday through Friday.

The Colossus, Drafting, Pano, Platform, Pico, Pro, Reader Rail, and Inline touch tables and the Portrait and Presenter touch displays from Ideum are designed, manufactured, and made in the USA of U.S. and imported parts.



Compliant with height and reach requirements for the Americans with Disabilities Act standards for accessibility. Learn more about Ideum's commitment to accessibility at www.ideum.com/ada

IMPORTANT NOTICE TO PURCHASER: Specifications are subject to change without notice. Ideum hardware and software are warranted from the date of receipt to the period stated in the warranty. Please note that under Ideum's warranty, Ideum has no obligation for any hardware product that is modified or damaged through misuse, accident, neglect, or subsequent integration, service, or tampering, by anyone other than Ideum or an Ideum-approved entity or individual. Ideum makes no additional warranties, express or implied, including but not limited to any fitness for a particular purpose. The User is responsible for determining whether Ideum hardware products or software are fit for the User's particular purpose. If the hardware product or software are proven not to have met Ideum's warranty, then Ideum's sole obligation and User's and Purchaser's exclusive remedy will be, at Ideum's option, to repair or replace the product or refund its purchase price. Ideum shall not be liable in any action against it in any way related to the hardware products or software for any loss or damages, whether non-specified, direct, indirect, special, incidental or consequential (including downtime, loss of profits or goodwill) regardless of the legal theory asserted. Please see our full warranty for complete details.