



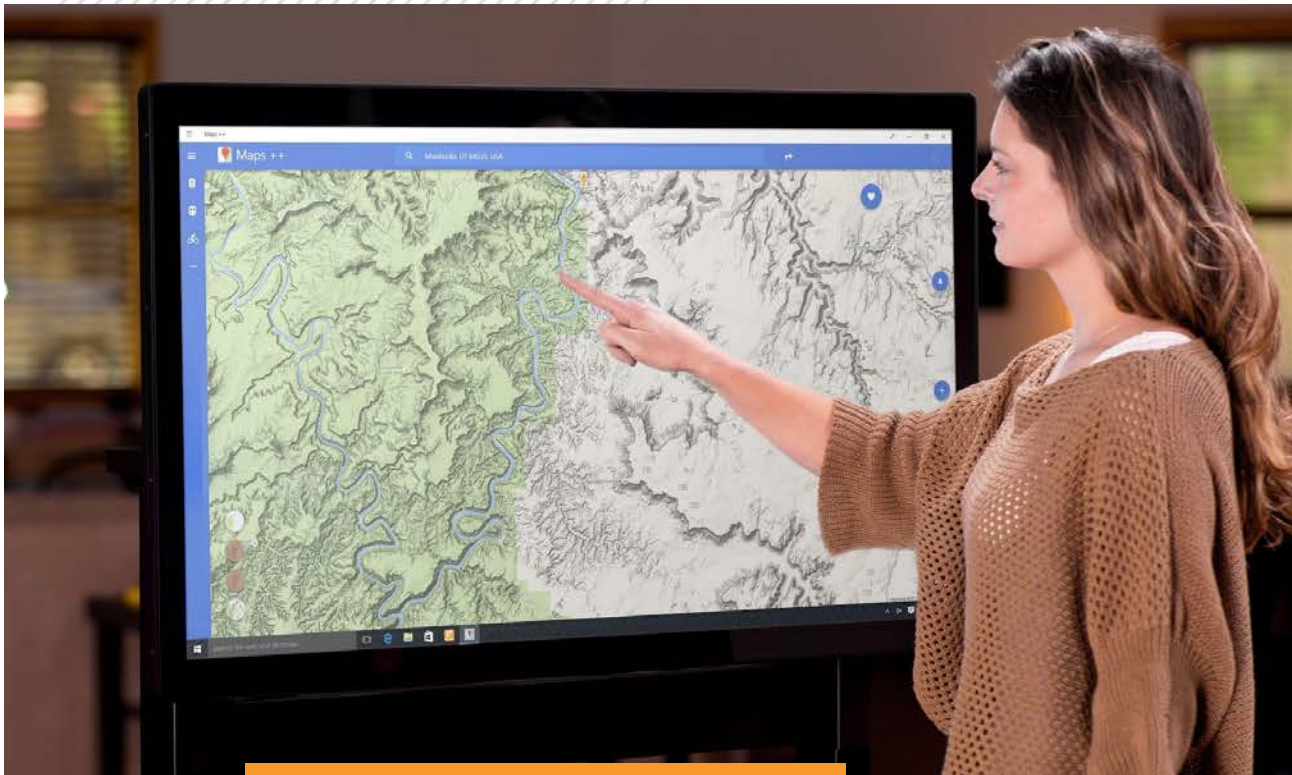
Presenter 34", 43", 49", 55", 65", 86"

Specification Sheet





The Presenter is a multitouch display that incorporates industry-leading touch technology from TES (formerly 3M™) with support for 80 simultaneous touch points and an LG commercial 4K Ultra HD monitor rated 24/7. (The 34" Presenter uses a Displax touch sensor and a 5K Ultra HD monitor, and the 86" Presenter uses a Zytronic touch sensor, each with support for 40 touch points.) The Presenter has an all-aluminum frame built in the USA.

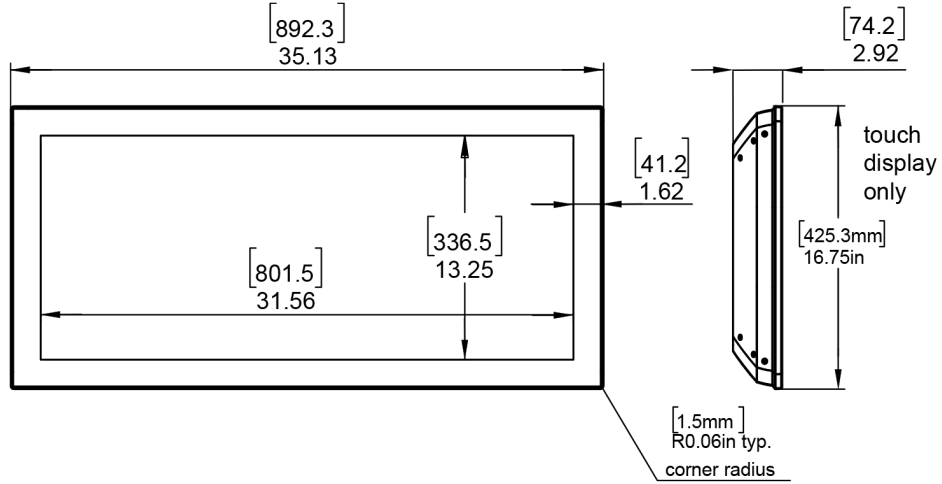


Presenter displays can be equipped with an Intel™ 14th Gen Core processor, the latest NVIDIA™ discrete graphics cards, and single push-button power. The Presenter computer systems come standard with Windows 11 Pro and can run any supported PC applications.

The Presenter's elegant design is also incredibly tough. Its sleek lines are constructed from aircraft-grade aluminum and covered with a durable powder coat. The Presenter is quality-built in the USA using a patented manufacturing method.



With the integrated computer option, it ships as a complete turnkey system with lockable, push-button operation. It doesn't require a technician or any special installation setup—just plug it in and turn it on. All of Ideum's hardware is backed by a three-year warranty.



WEIGHT
35 LBS
16KG*

SHIP WEIGHT
116 LBS
53 KG*

**Weights may vary slightly.*

Interactive Display

- › 5K UHD (5120x2160) LG commercial display rated 24/7
- › 34" diagonal, strengthened, anti-stiction, 4mm glass surface
- › Display projected capacitive touch sensor
- › ±5 ms touch response time
- › 40 touch points with palm rejection
- › Native contrast ratio 1200:1
- › 400 nit (cd/m2) luminance
- › Wall-mounting hardware rated for 280lbs

Optional Integrated System

- | | | |
|--|--|---|
| <ul style="list-style-type: none"> › Single push-button power › Custom lockable enclosure › Windows 11 Pro › Universal 110-240V power system › 4 amps or 400W at max load, approximately 1 amp at idle › Two 10W integrated speakers | <p>STANDARD</p> <ul style="list-style-type: none"> › Intel 14th Gen Core i5-14600K processor › NVIDIA RTX A2000 6GB graphics card › 16GB DDR5 RAM › 250GB M.2 NVMe SSD | <p>PERFORMANCE</p> <ul style="list-style-type: none"> › Intel 14th Gen Core i7-14700K processor › NVIDIA RTX 4000 16GB Ada Generation graphics card › 32GB DDR5 RAM › Dual 250GB M.2 NVMe SSD |
|--|--|---|

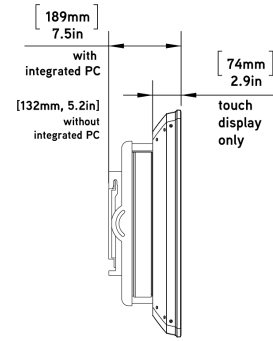
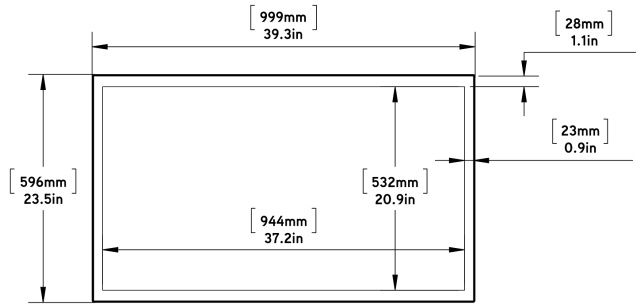
Connectivity

- › TPM/TPP compatible for secure environments
- › WiFi 802.11 a/b/g/n/ac, Ethernet, Bluetooth 5.0
- › Wireless keyboard with integrated trackpad
- › Direct access via USB ports
- › Audio output via 1/8" audio jack
- › HDMI output (PC)
- › RFID (optional)
- › Communication hardware can be removed upon request for secure environments



Presenter 43"

Specification Sheet



WEIGHT
69 LBS
31 KG*

SHIP WEIGHT
174 LBS
0790 KG*

W/ TRAVEL CASE
250 LBS
113 KG*

**Weights may vary slightly.*

Interactive Display

- › 4K UHD (3840x2160) LG commercial display rated 24/7
- › 43" diagonal, strengthened, anti-stiction, 4mm glass surface
- › TES (formerly 3M™) projected capacitive touch sensor
- › ±5 ms touch response time
- › 80 touch points with palm rejection
- › Native contrast ratio 1100:1
- › 400 nit (cd/m2) luminance
- › Wall-mounting hardware rated for 280lbs

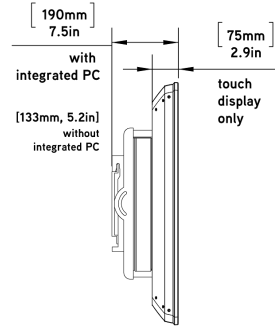
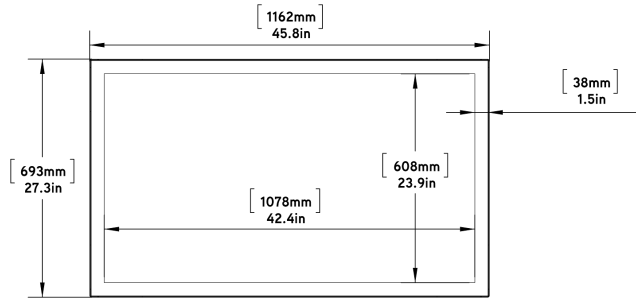
Optional Integrated System

- | | | |
|--|---|--|
| <ul style="list-style-type: none"> › Single push-button power › Custom lockable enclosure › Windows 11 Pro › Universal 110-240V power system › 4 amps or 400W at max load, approximately 1 amp at idle › Two 10W integrated speakers | <p>STANDARD</p> <ul style="list-style-type: none"> › Intel 14th Gen Core i5-14600K processor › NVIDIA RTX A2000 6GB graphics card › 16GB DDR5 RAM › 250GB M.2 NVMe SSD | <p>PERFORMANCE</p> <ul style="list-style-type: none"> › Intel 14th Gen Core i7-14700K processor › NVIDIA RTX 4000 16GB Ada Generation graphics card › 32GB DDR5 RAM › Dual 250GB M.2 NVMe SSD |
|--|---|--|

Connectivity

- › TPM/TPP compatible for secure environments
- › WiFi 802.11 a/b/g/n/ac, Ethernet, Bluetooth 5.0
- › Wireless keyboard with integrated trackpad
- › Direct access via USB ports
- › Audio output via 1/8" audio jack
- › HDMI output (PC)
- › RFID (optional)
- › Communication hardware can be removed upon request for secure environments





WEIGHT
93 LBS
42 KG*

SHIP WEIGHT
205 LBS
93 KG*

W/ TRAVEL CASE
280 LBS
127 KG*

**Weights may vary slightly.*

Interactive Display

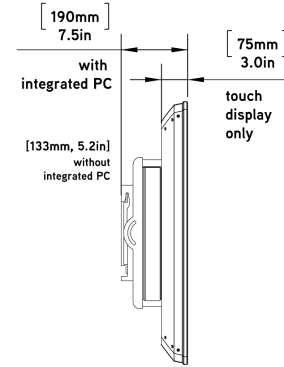
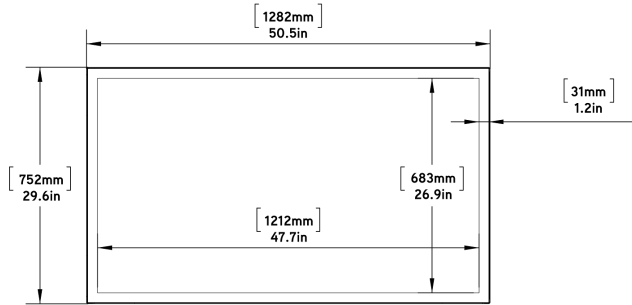
- › 4K UHD (3840x2160) LG commercial display rated 24/7
- › 49" diagonal, strengthened, anti-stiction, 4mm glass surface
- › TES (formerly 3M™) projected capacitive touch sensor
- › ±5 ms touch response time
- › 80 touch points with palm rejection
- › Native contrast ratio 1100:1
- › 500 nit (cd/m2) luminance
- › Wall-mounting hardware rated for 280lbs

Optional Integrated System

- | | | |
|--|---|--|
| <ul style="list-style-type: none"> › Single push-button power › Custom lockable enclosure › Windows 11 Pro › Universal 110-240V power system › 4 amps or 400W at max load, approximately 1 amp at idle › Two 10W integrated speakers | <p>STANDARD</p> <ul style="list-style-type: none"> › Intel 14th Gen Core i5-14600K processor › NVIDIA RTX A2000 6GB graphics card › 16GB DDR5 RAM › 250GB M.2 NVMe SSD | <p>PERFORMANCE</p> <ul style="list-style-type: none"> › Intel 14th Gen Core i7-14700K processor › NVIDIA RTX 4000 16GB Ada Generation graphics card › 32GB DDR5 RAM › Dual 250GB M.2 NVMe SSD |
|--|---|--|

Connectivity

- › TPM/TPP compatible for secure environments
- › WiFi 802.11 a/b/g/n/ac, Ethernet, Bluetooth 5.0
- › Wireless keyboard with integrated trackpad
- › Direct access via USB ports
- › Audio output via 1/8" audio jack
- › HDMI output (PC)
- › RFID (optional)
- › Communication hardware can be removed upon request for secure environments



WEIGHT
102 LBS
46 KG*

SHIP WEIGHT
225 LBS
102 KG*

W/ TRAVEL CASE
375 LBS
170 KG*

**Weights may vary slightly.*

Interactive Display

- › 4K UHD (3840x2160) LG commercial display rated 24/7
- › 55" diagonal, strengthened, anti-stiction, 4mm glass surface
- › TES (formerly 3M™) projected capacitive touch sensor
- › ±5 ms touch response time
- › 80 touch points with palm rejection
- › Native contrast ratio 1100:1
- › 500 nit (cd/m2) luminance
- › Wall-mounting hardware rated for 280lbs

Optional Integrated System

- | | | |
|--|---|--|
| <ul style="list-style-type: none"> › Single push-button power › Custom lockable enclosure › Windows 11 Pro › Universal 110-240V power system › 4 amps or 400W at max load, approximately 1 amp at idle › Two 10W integrated speakers | <p>STANDARD</p> <ul style="list-style-type: none"> › Intel 14th Gen Core i5-14600K processor › NVIDIA RTX A2000 6GB graphics card › 16GB DDR5 RAM › 250GB M.2 NVMe SSD | <p>PERFORMANCE</p> <ul style="list-style-type: none"> › Intel 14th Gen Core i7-14700K processor › NVIDIA RTX 4000 16GB Ada Generation graphics card › 32GB DDR5 RAM › Dual 250GB M.2 NVMe SSD |
|--|---|--|

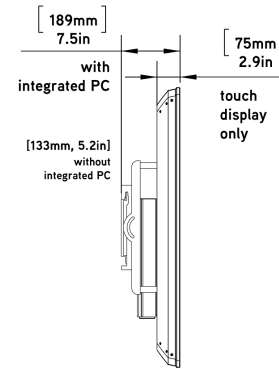
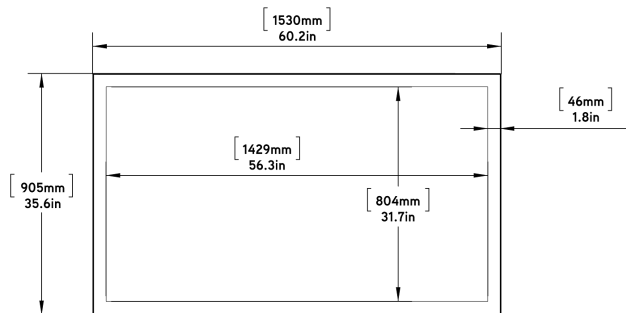
Connectivity

- › TPM/TPP compatible for secure environments
- › WiFi 802.11 a/b/g/n/ac, Ethernet, Bluetooth 5.0
- › Wireless keyboard with integrated trackpad
- › Direct access via USB ports
- › Audio output via 1/8" audio jack
- › HDMI output (PC)
- › RFID (optional)
- › Communication hardware can be removed upon request for secure environments



Presenter 65"

Specification Sheet



WEIGHT
152 LBS
69 KG*

SHIP WEIGHT
302 LBS
137 KG*

W/ TRAVEL CASE
392 LBS
178 KG*

**Weights may vary slightly.*

Interactive Display

- › 4K UHD (3840x2160) LG commercial display rated 24/7
- › 65" diagonal, strengthened, anti-stiction, 4mm glass surface
- › TES (formerly 3M™) projected capacitive touch sensor
- › ±5 ms touch response time
- › 80 touch points with palm rejection
- › Native contrast ratio 1100:1
- › 500 nit (cd/m2) luminance
- › Wall-mounting hardware rated for 280lbs

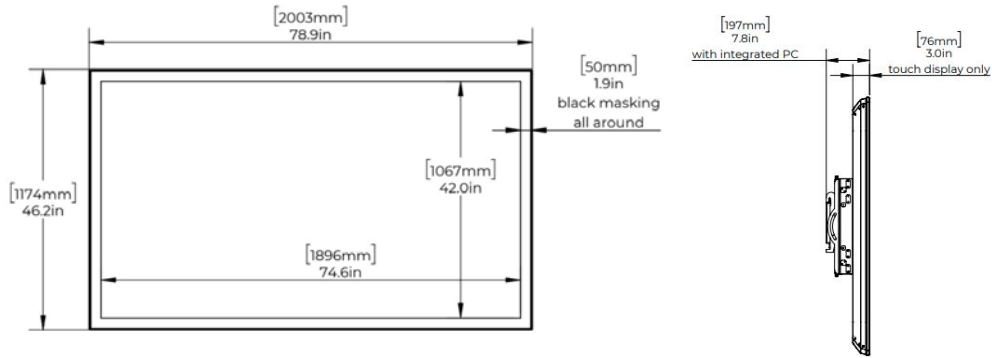
Optional Integrated System

- | | | |
|--|---|--|
| <ul style="list-style-type: none"> › Single push-button power › Custom lockable enclosure › Windows 11 Pro › Universal 110-240V power system › 4 amps or 400W at max load, approximately 1 amp at idle › Two 10W integrated speakers | <p>STANDARD</p> <ul style="list-style-type: none"> › Intel 14th Gen Core i5-14600K processor › NVIDIA RTX A2000 6GB graphics card › 16GB DDR5 RAM › 250GB M.2 NVMe SSD | <p>PERFORMANCE</p> <ul style="list-style-type: none"> › Intel 14th Gen Core i7-14700K processor › NVIDIA RTX 4000 16GB Ada Generation graphics card › 32GB DDR5 RAM › Dual 250GB M.2 NVMe SSD |
|--|---|--|

Connectivity

- › TPM/TPP compatible for secure environments
- › WiFi 802.11 a/b/g/n/ac, Ethernet, Bluetooth 5.0
- › Wireless keyboard with integrated trackpad
- › Direct access via USB ports
- › Audio output via 1/8" audio jack
- › HDMI output (PC)
- › RFID (optional)
- › Communication hardware can be removed upon request for secure environments





WEIGHT
232 LBS
105 KG*

SHIP WEIGHT
440 LBS
200 KG*

W/ TRAVEL CASE
520 LBS
236 KG*

**Weights may vary slightly.*

Interactive Display

- › 4K UHD (3840x2160) LG commercial display rated 24/7
- › 86" diagonal, strengthened, anti-stiction, 4mm glass surface
- › Zytronic projected capacitive touch sensor
- › ±5 ms touch response time
- › 40 touch points with palm rejection
- › Native contrast ratio 1100:1
- › 500 nit (cd/m²) luminance
- › Wall-mounting hardware rated for 280lbs

Optional Integrated System

- | | | |
|--|---|--|
| <ul style="list-style-type: none"> › Single push-button power › Custom lockable enclosure › Windows 11 Pro › Universal 110-240V power system › 4 amps or 400W at max load, approximately 1 amp at idle › Two 10W integrated speakers | <p>STANDARD</p> <ul style="list-style-type: none"> › Intel 14th Gen Core i5-14600K processor › NVIDIA RTX A2000 6GB graphics card › 16GB DDR5 RAM › 250GB M.2 NVMe SSD | <p>PERFORMANCE</p> <ul style="list-style-type: none"> › Intel 14th Gen Core i7-14700K processor › NVIDIA RTX 4000 16GB Ada Generation graphics card › 32GB DDR5 RAM › Dual 250GB M.2 NVMe SSD |
|--|---|--|

Connectivity

- › TPM/TPP compatible for secure environments
- › WiFi 802.11 a/b/g/n/ac, Ethernet, Bluetooth 5.0
- › Wireless keyboard with integrated trackpad
- › Direct access via USB ports
- › Audio output via 1/8" audio jack
- › HDMI output (PC)
- › RFID (optional)
- › Communication hardware can be removed upon request for secure environments

Customizations



HD 1080p Camera

Adjustable high-definition camera for web conferencing.



Colors and Finishes

Available in hundreds of RAL color and finish options. (1–2 weeks additional lead time.)



ATA Flight Case

Reusable travel case with locking casters and locking latch clasps.



Motorized Stand

Motorized stands allow for unprecedented versatility and convert a touch display to a multitouch table or even a drafting-style orientation. (Not available for 34" or 86" models)

What's Inside

Our touch tables and touch displays include the best performing, most reliable components available.

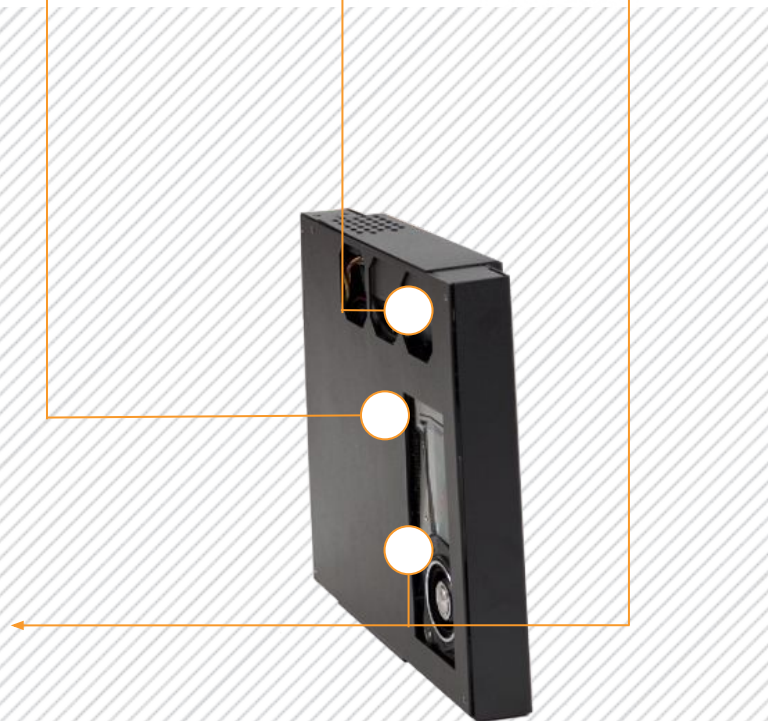
4K UHD (3840x2160)
commercial LCD
display

PCAP touch sensor
with 80 touch points
3M technologies*

NVIDIA™
graphics card

14th Gen Intel® Core™
Processor

Aircraft-grade
aluminum made in the
USA



* The 34" Presenter uses a Displax touch sensor and the 86" Presenter uses a Zytronic touch sensor, each of which support 40 touch points.

Software



The Presenter touch display comes with Windows 11 Pro and supports PC applications. Applications that are optimized for touch work best.

Ideum offers custom software development. We have experience developing interactive applications mostly for public spaces. Our expertise in a broad range of programming environments allows our work to span the realms of informal and formal education, interactive technology, art, and entertainment.

ALSO AVAILABLE



RFID Utility

Ideum multitouch products include an optional RFID utility for enhanced functionality.

Our new and improved RFID software allows you to automate system tasks, launch and switch applications, and more with a single movement. This useful utility is free for Ideum touch table owners.

Learn more at: ideum.com/news/rfid-reader-app



Presenter

Specification Sheet

About Ideum

Ideum designs experiences for public spaces, offering exhibit design, AV, and software development services to museums, nonprofits, and socially responsible companies. We are proudly based in Corrales, New Mexico, and collaborate with creative partners worldwide.

SALES & DESIGN INQUIRIES

We sell our multitouch tables and displays directly, both in the USA and internationally. Ask us how to turn your interactive goals into amazing reality.

Use our [online inquiry form](#)
Email: sales@ideum.com
Phone: (505) 792-1110 ext. 1

WARRANTY & SUPPORT

Our products are custom-built with only the highest quality components available and are designed to last. We back all of our hardware, including custom exhibits, with a three-year warranty. The same people who design and build our systems provide our timely support.

Submit a ticket: support.ideum.com
Email: support@ideum.com
Phone: (505) 792-1110 ext. 2

Hours: 8:00 AM – 5:00 PM Mountain Time, Monday through Friday.

The Colossus, Drafting, Pano, Platform, Pico, Pro, Reader Rail, and Inline touch tables and the Portrait and Presenter touch displays from Ideum are designed, manufactured, and made in the USA of U.S. and imported parts.



Compliant with height and reach requirements for the Americans with Disabilities Act standards for accessibility. Learn more about Ideum's commitment to accessibility at www.ideum.com/ada

IMPORTANT NOTICE TO PURCHASER: Specifications are subject to change without notice. Ideum hardware and software are warranted from the date of receipt to the period stated in the warranty. Please note that under Ideum's warranty, Ideum has no obligation for any hardware product that is modified or damaged through misuse, accident, neglect, or subsequent integration, service, or tampering, by anyone other than Ideum or an Ideum-approved entity or individual. Ideum makes no additional warranties, express or implied, including but not limited to any fitness for a particular purpose. The User is responsible for determining whether Ideum hardware products or software are fit for the User's particular purpose. If the hardware product or software are proven not to have met Ideum's warranty, then Ideum's sole obligation and User's and Purchaser's exclusive remedy will be, at Ideum's option, to repair or replace the product or refund its purchase price. Ideum shall not be liable in any action against it in any way related to the hardware products or software for any loss or damages, whether non-specified, direct, indirect, special, incidental or consequential (including downtime, loss of profits or goodwill) regardless of the legal theory asserted. Please see our full warranty for complete details.

