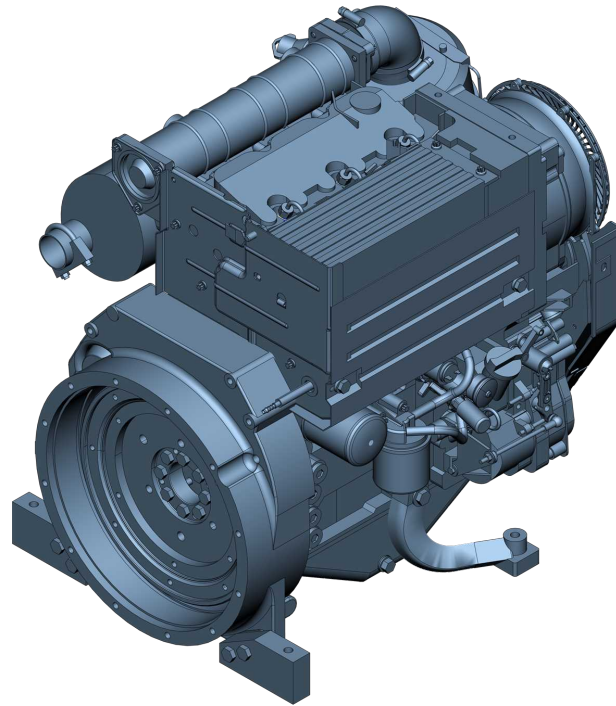
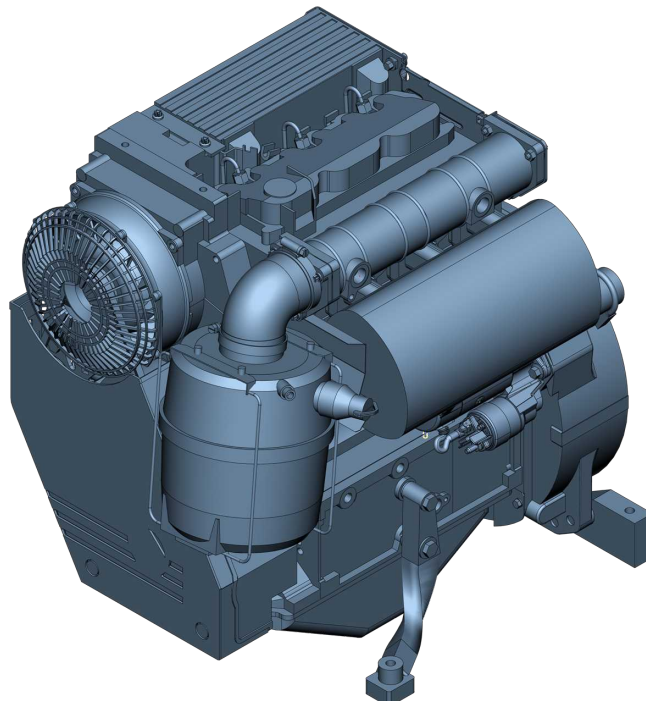




Isometric view 1

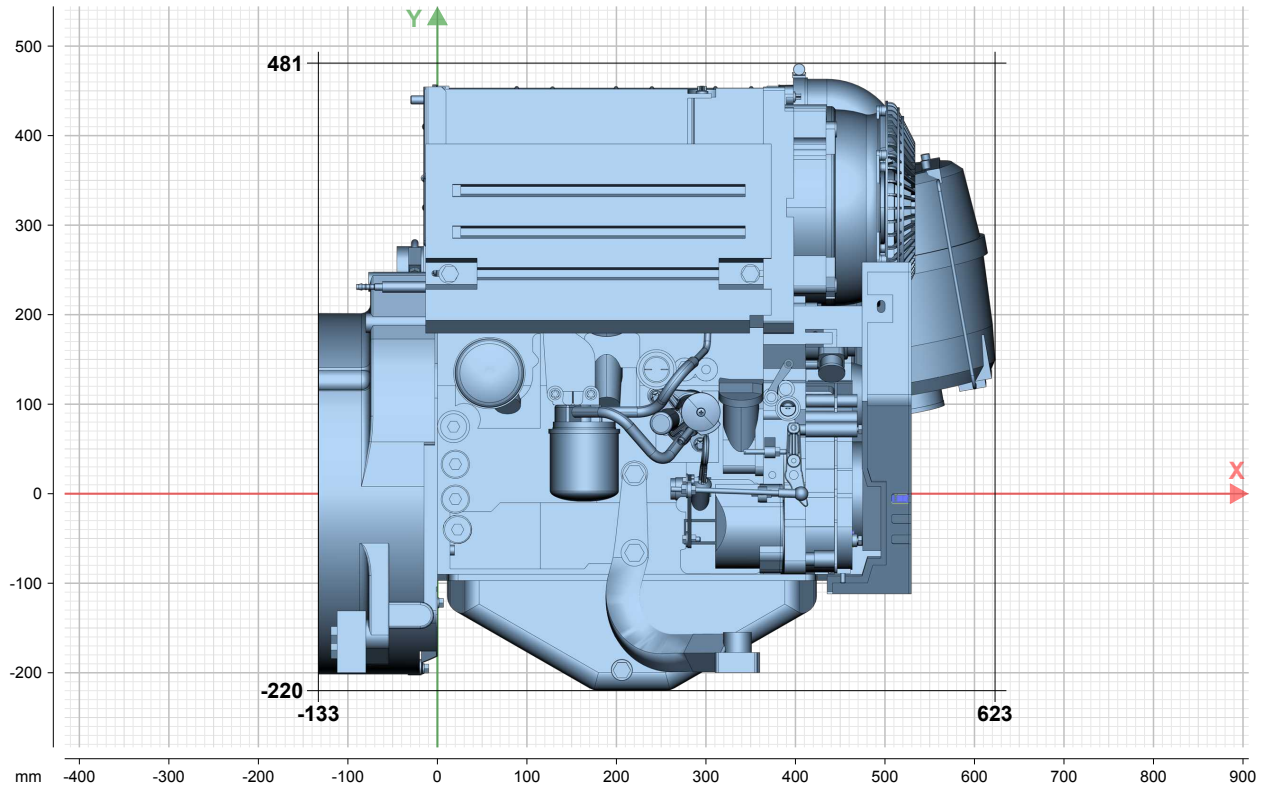


Isometric view 2

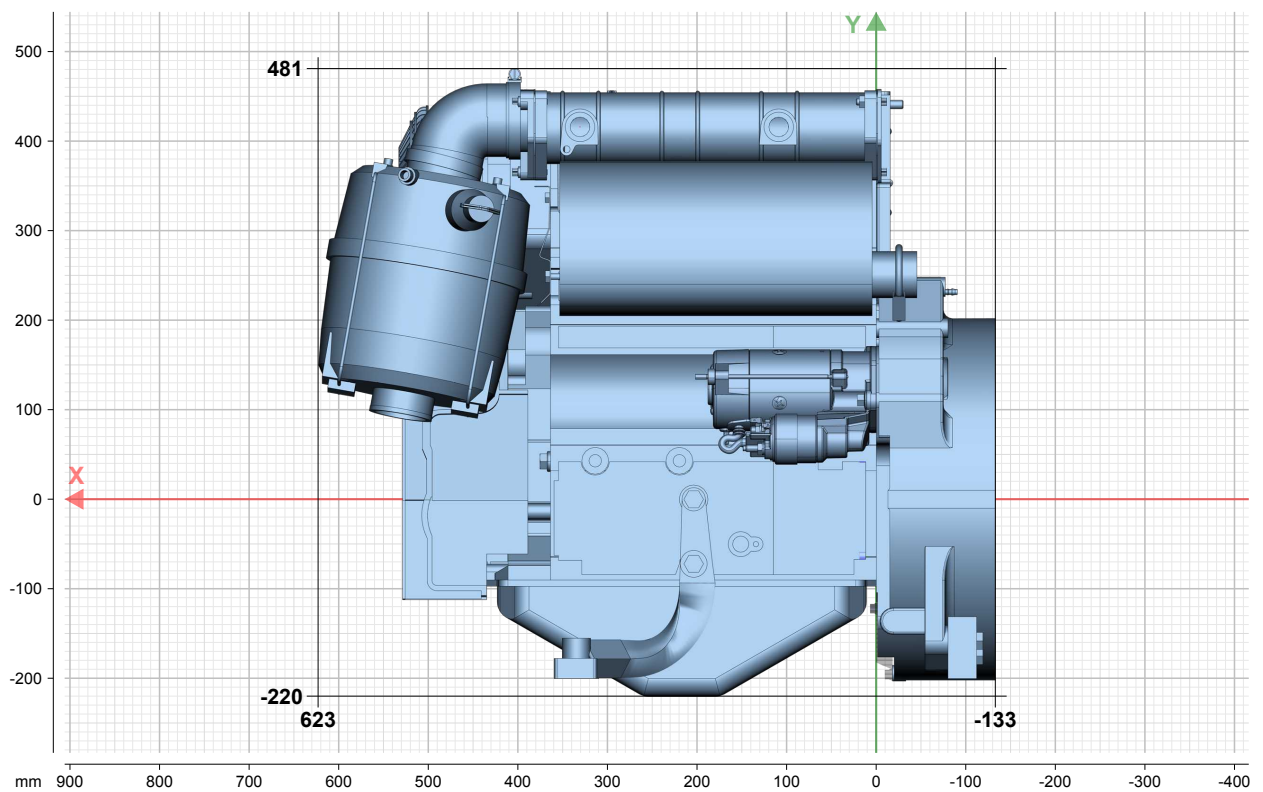




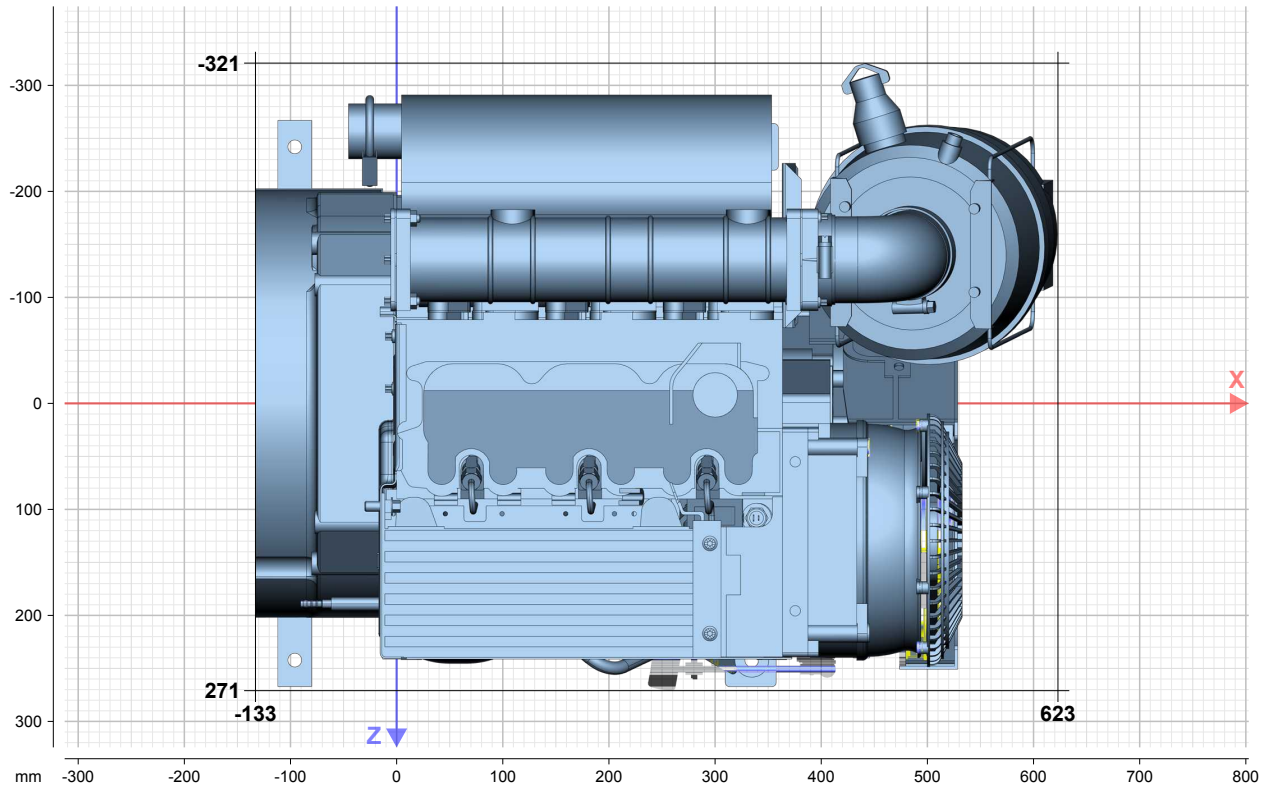
Left side view



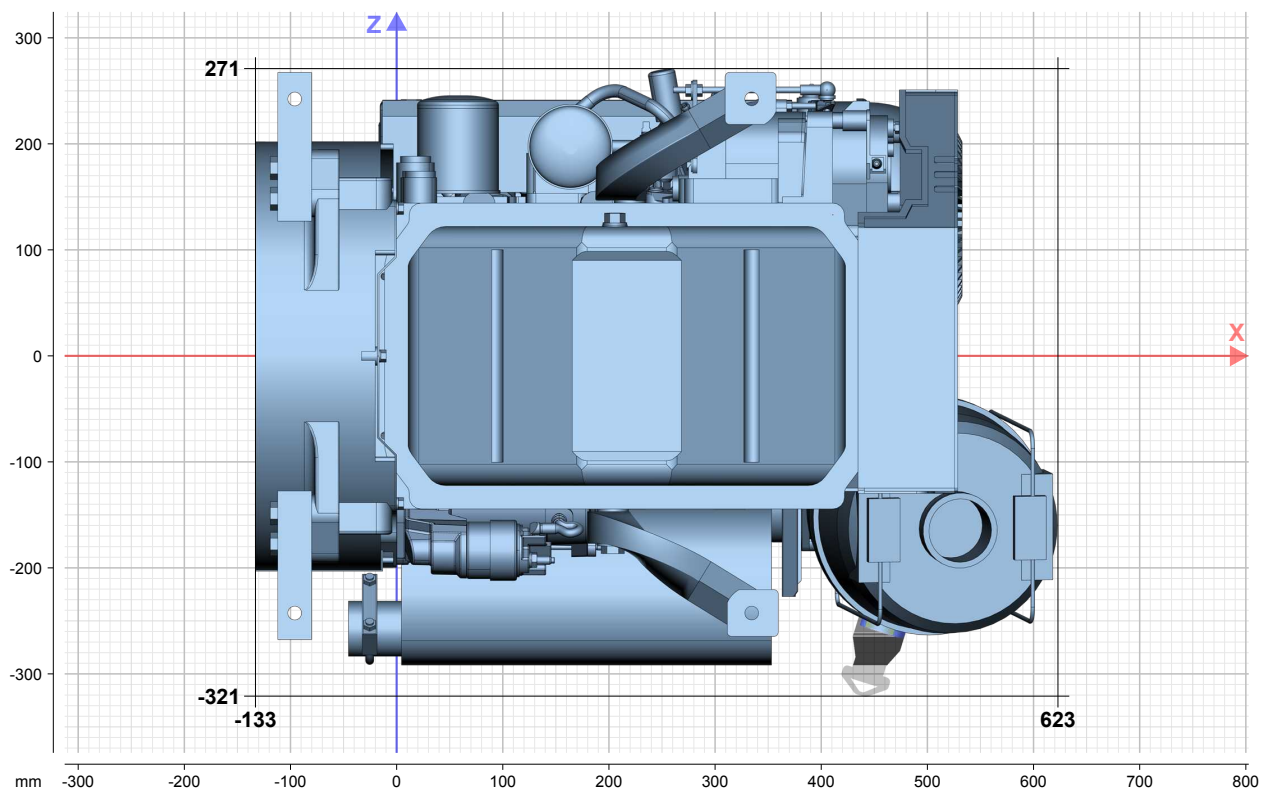
Right side view



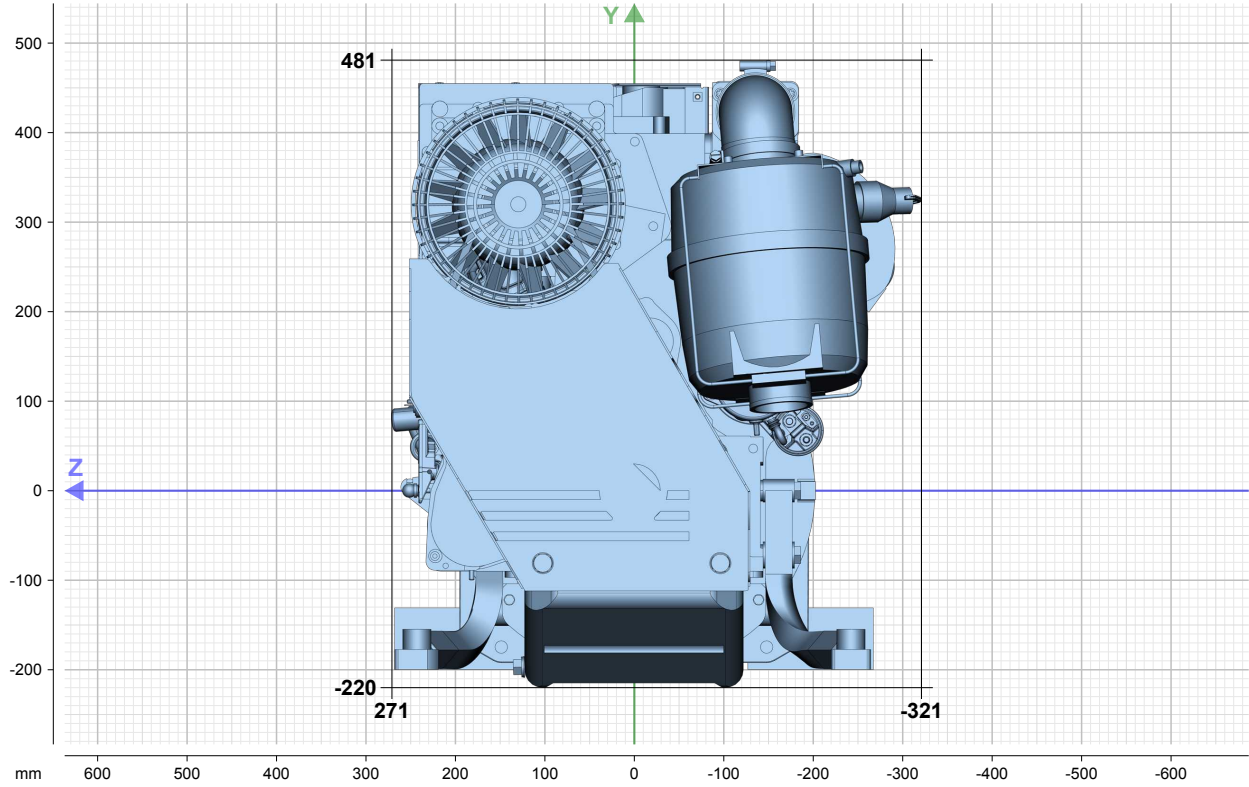
Top view



Bottom view



Front view



Rear view

