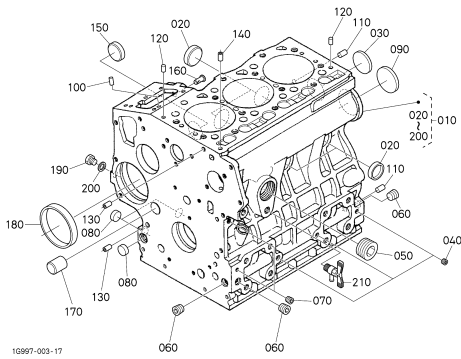
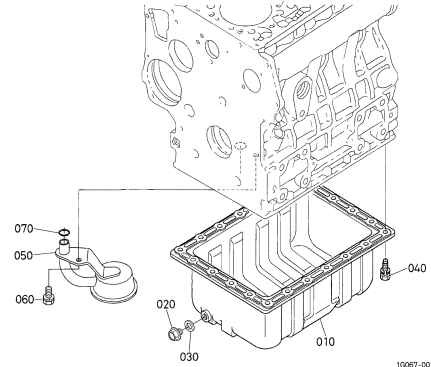


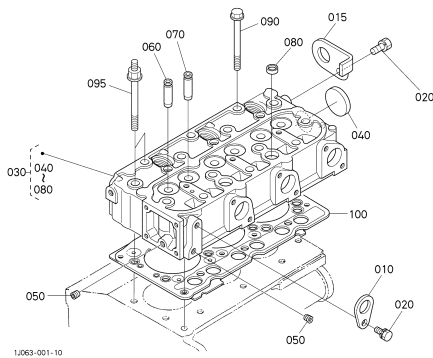
000101 CRANKCASE



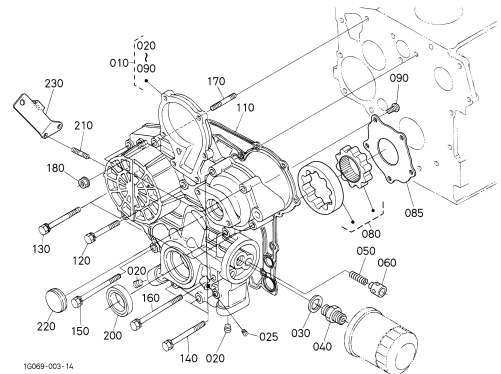
000201 OIL PAN



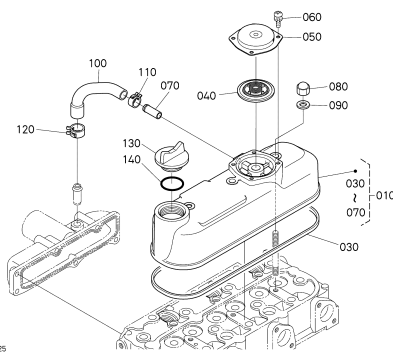
000301 CYLINDER HEAD



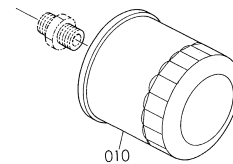
000401 GEAR CASE



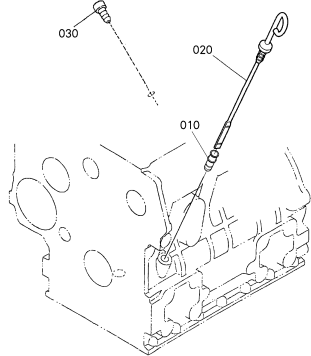
000501 HEAD COVER



000600 OIL FILTER

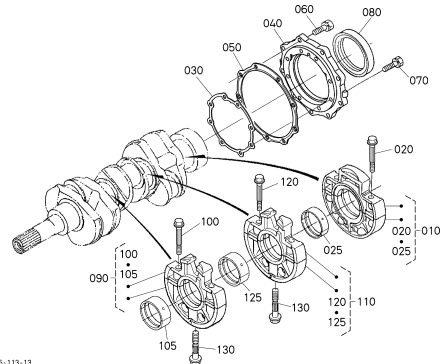


000701 DIPSTICK AND GUIDE



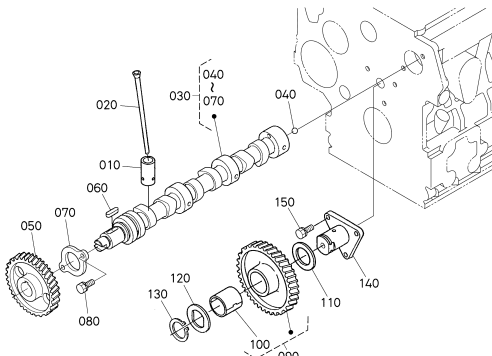
10067-001-11

010001 MAIN BEARING CASE



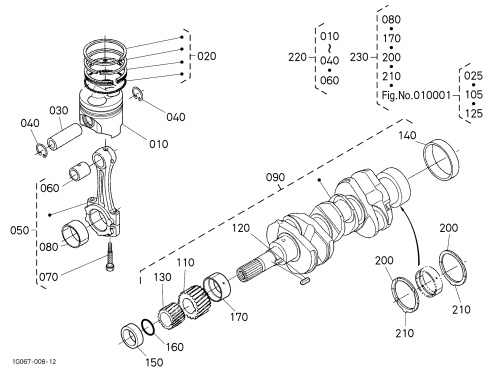
10995-113-13

010101 CAMSHAFT AND IDLE GEAR SHAFT



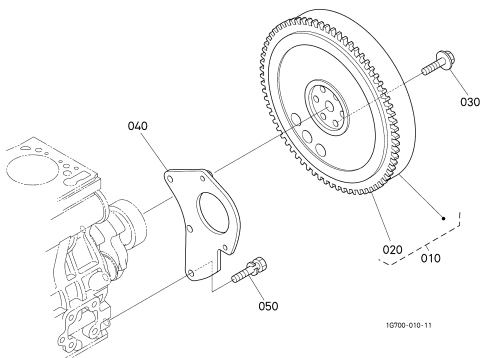
13976-036-18

010201 PISTON AND CRANKSHAFT



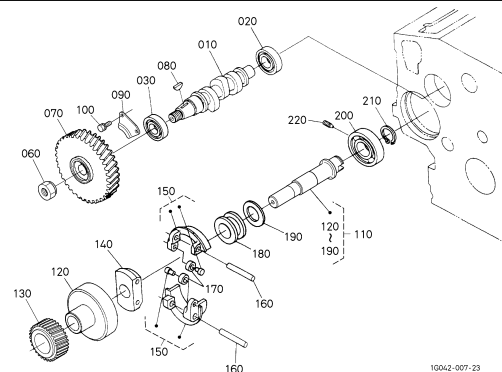
10067-008-12

010300 FLYWHEEL



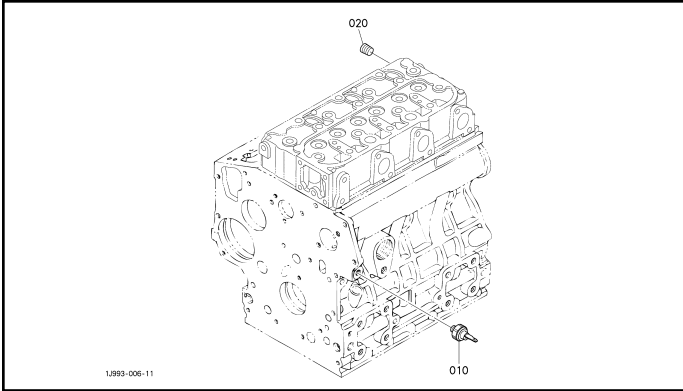
16700-010-11

010500 FUEL CAMSHAFT AND GOVERNOR SHAFT

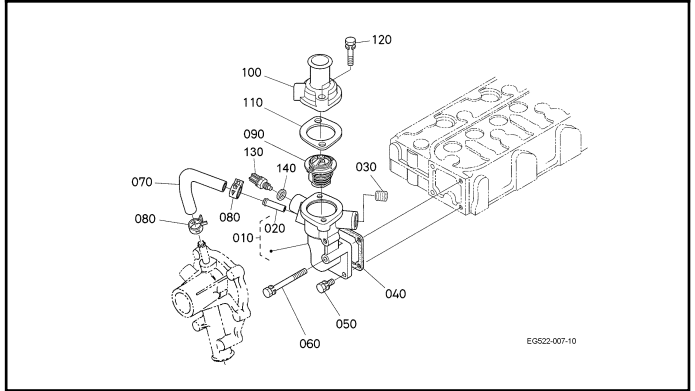


10042-007-23

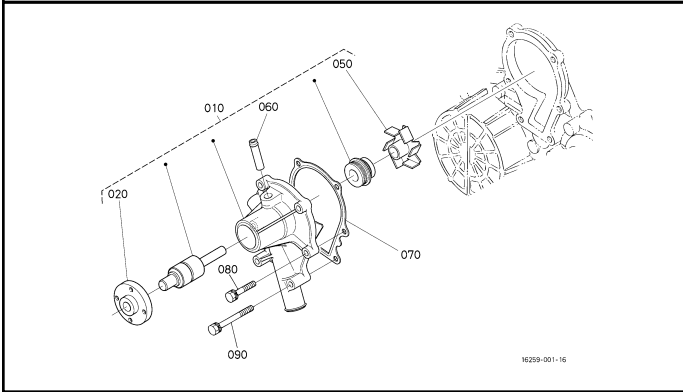
040600 OIL SWITCH AND PLUG



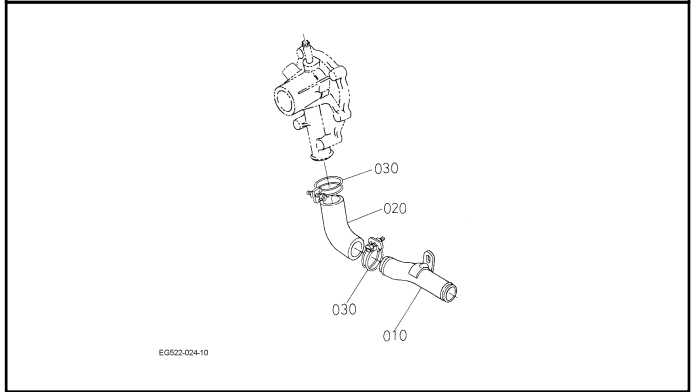
050001 WATER FLANGE AND THERMOSTAT



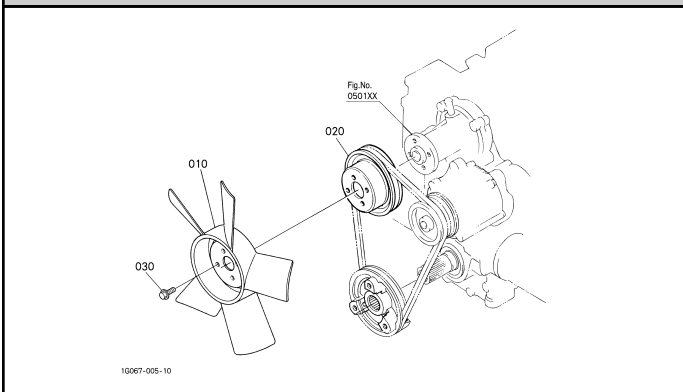
050100 WATER PUMP



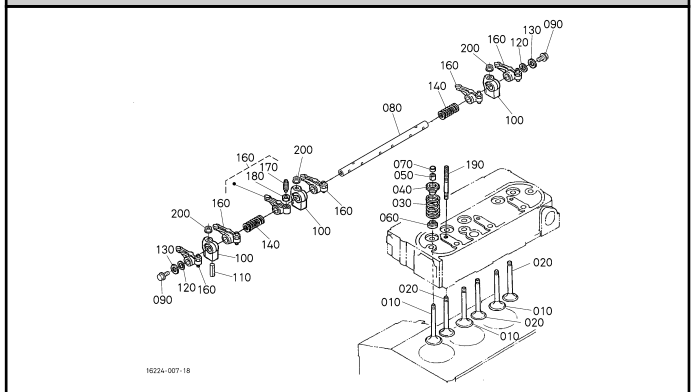
050300 WATER PIPE



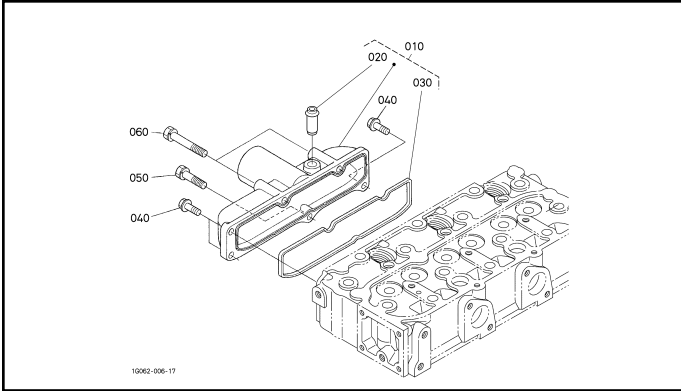
050400 FAN



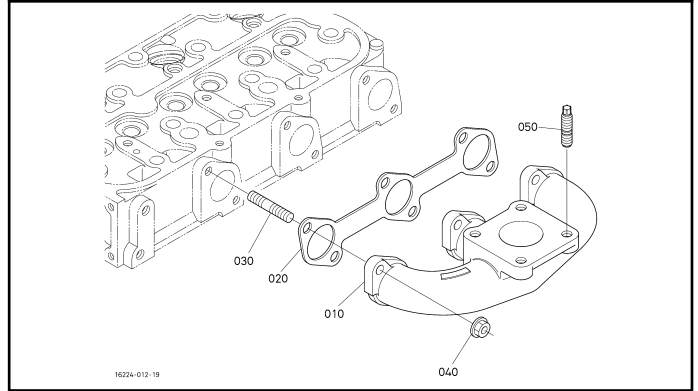
060001 VALVE AND ROCKER ARM



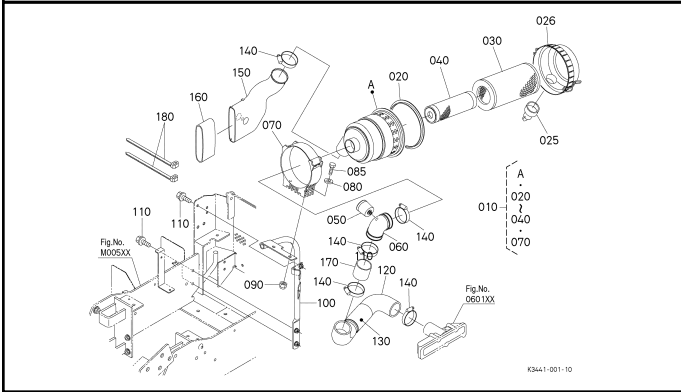
060100 INLET MANIFOLD



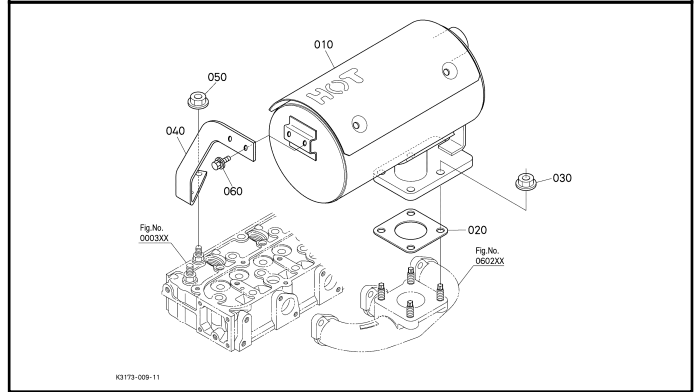
060200 EXHAUST MANIFOLD



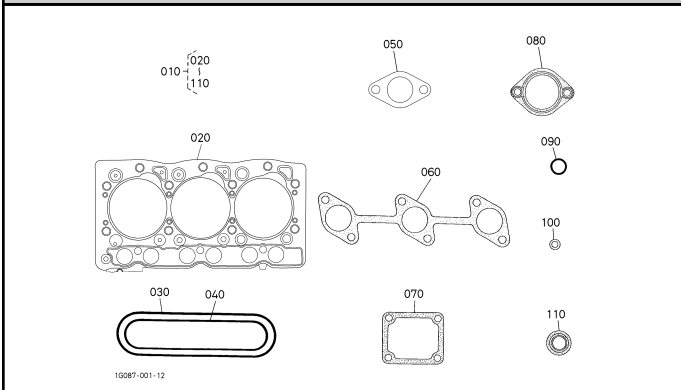
060300 AIR CLEANER



060500 MUFFLER



090101 UPPER GASKET KIT [OPTION]



090200 LOWER GASKET KIT [OPTION]

