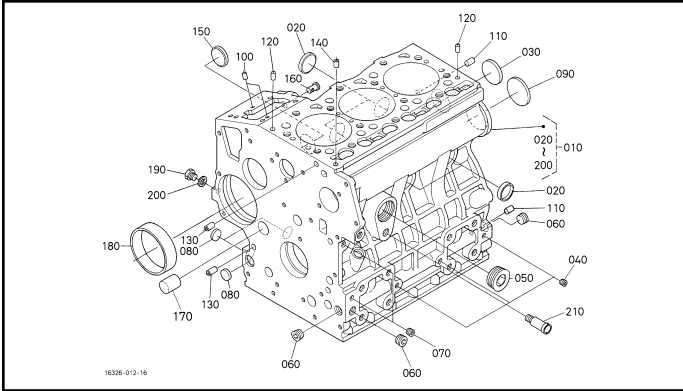
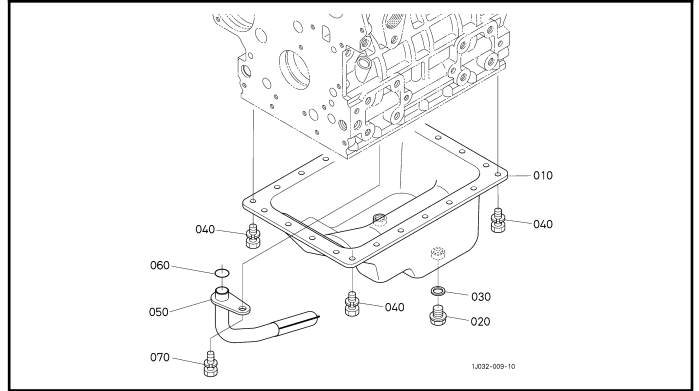


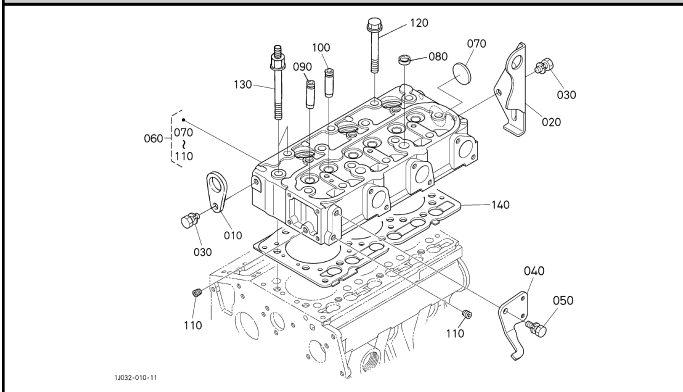
### 000100 CRANKCASE



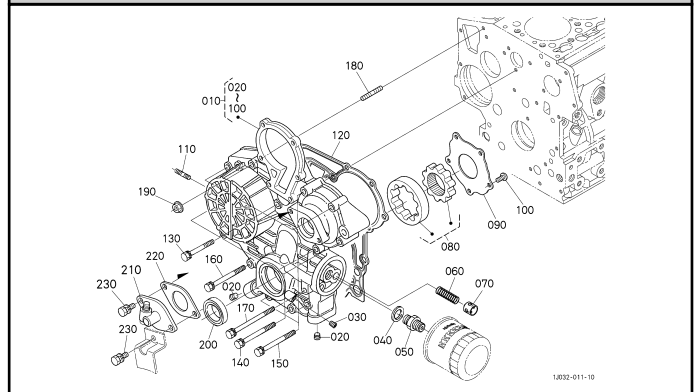
### 000200 OIL PAN



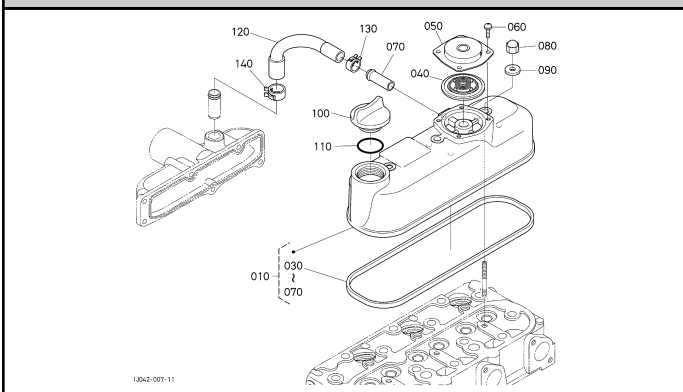
### 000300 CYLINDER HEAD



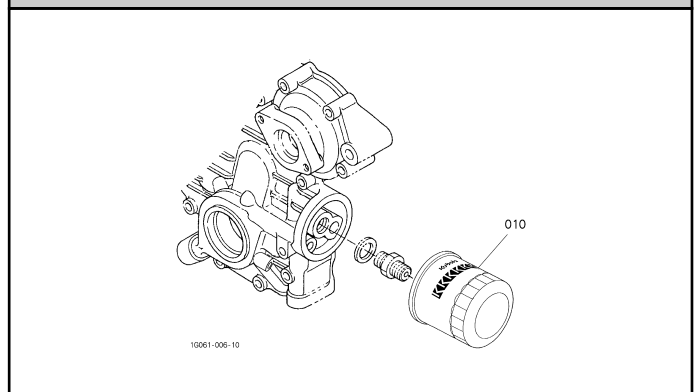
### 000400 GEAR CASE



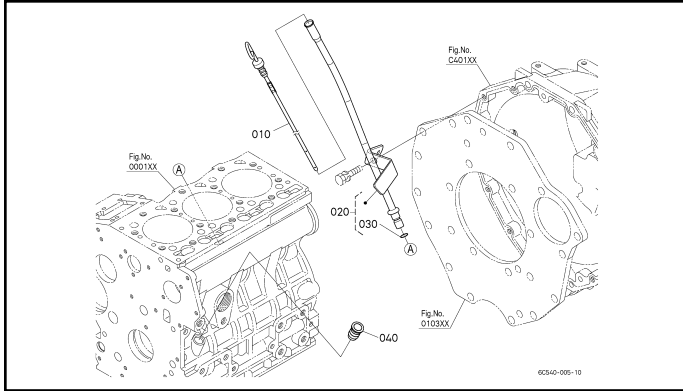
### 000500 HEAD COVER



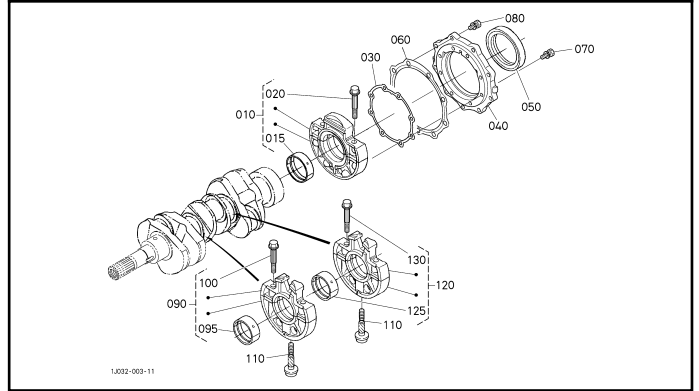
### 000600 OIL FILTER



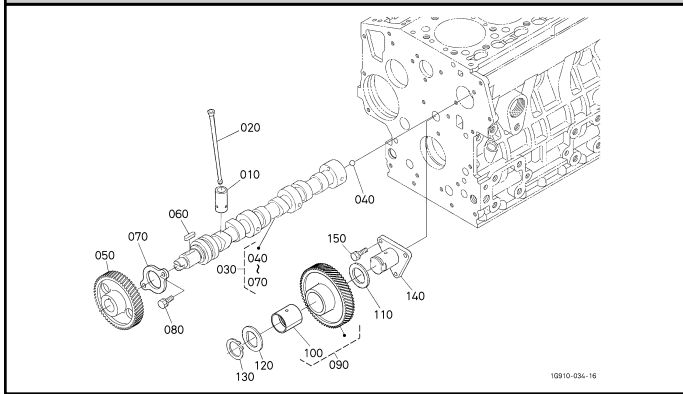
### 000700 DIPSTICK AND GUIDE



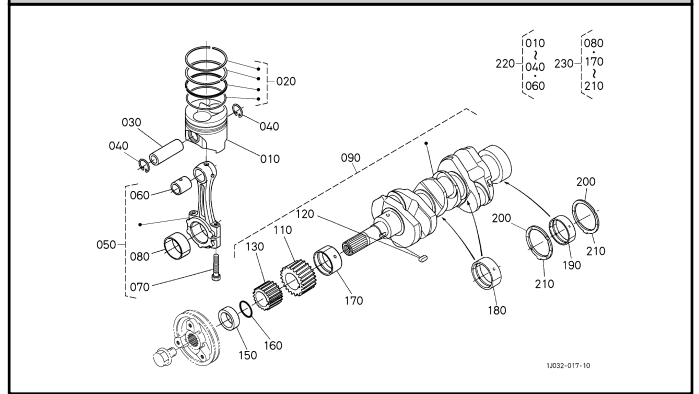
### 010000 MAIN BEARING CASE



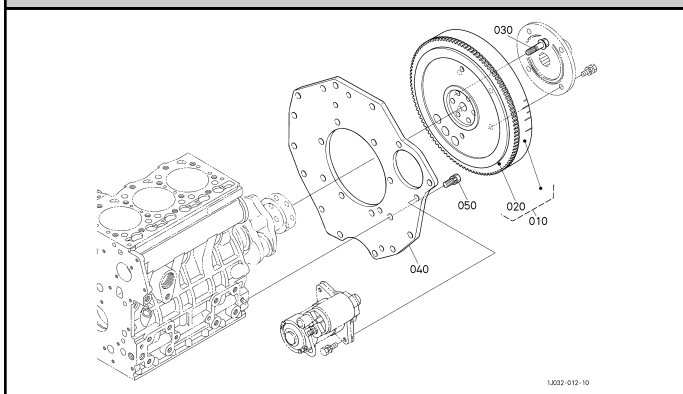
### 010100 CAMSHAFT AND IDLE GEAR SHAFT



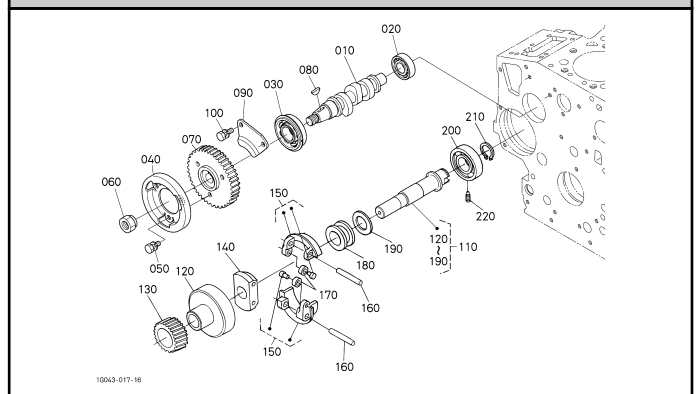
### 010200 PISTON AND CRANKSHAFT



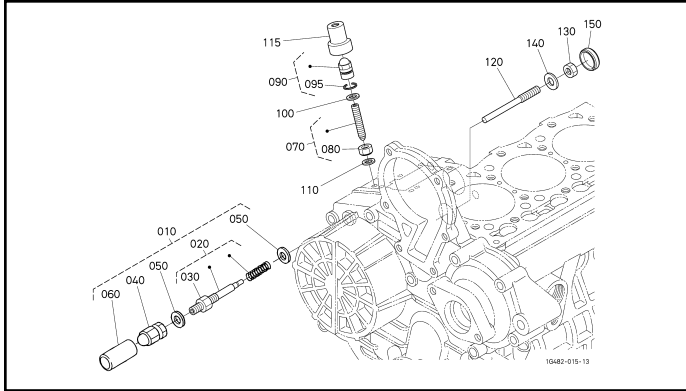
### 010300 FLYWHEEL



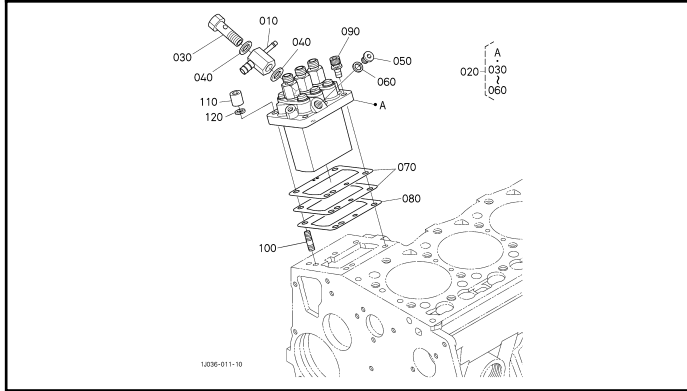
### 010500 FUEL CAMSHAFT AND GOVERNOR SHAFT



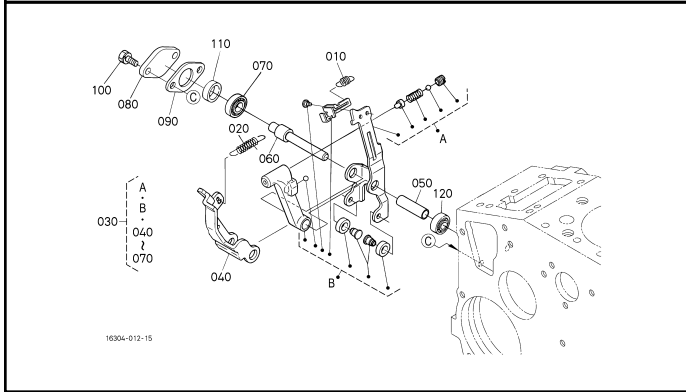
020000 IDLE APPARATUS



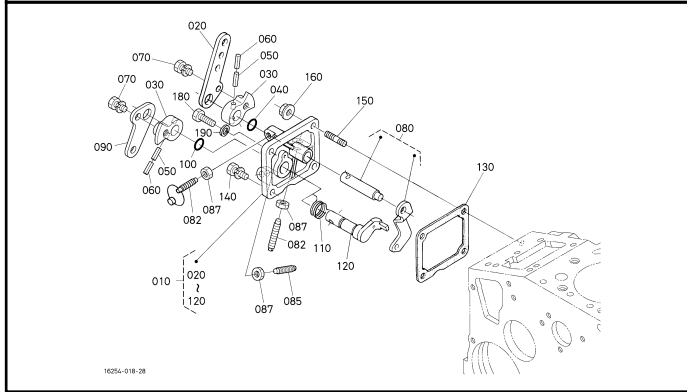
020200 INJECTION PUMP



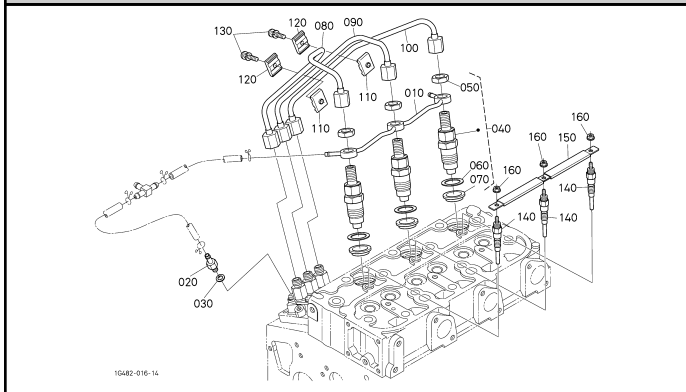
020400 GOVERNOR



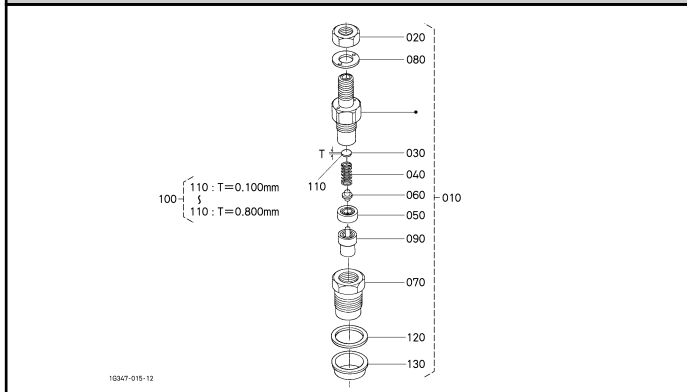
020500 SPEED CONTROL PLATE



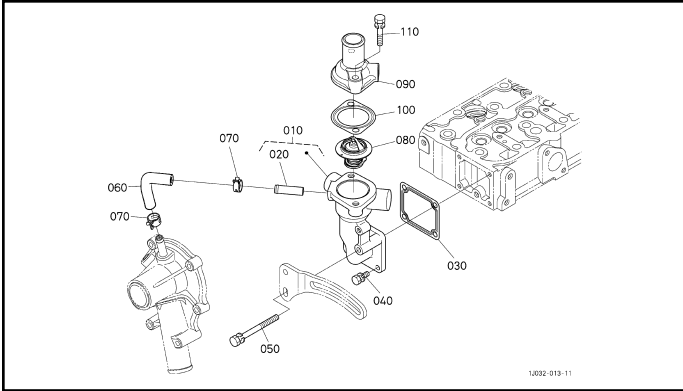
020600 NOZZLE HOLDER AND GLOW PLUG



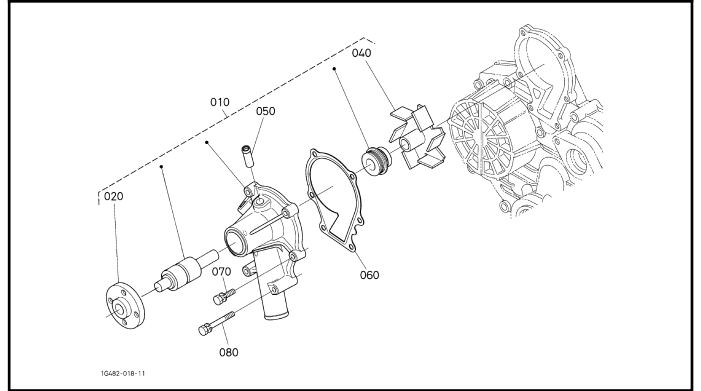
020700 NOZZLE HOLDER [COMPONENT PARTS]



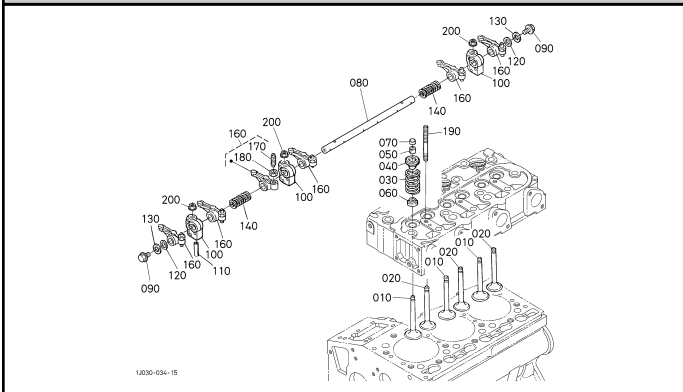
### 050000 WATER FLANGE AND THERMOSTAT



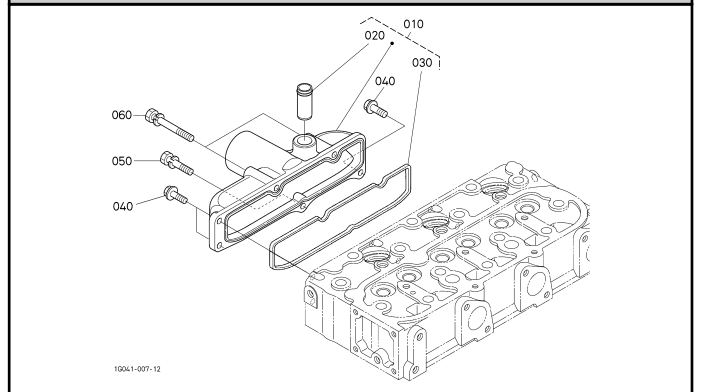
### 050100 WATER PUMP



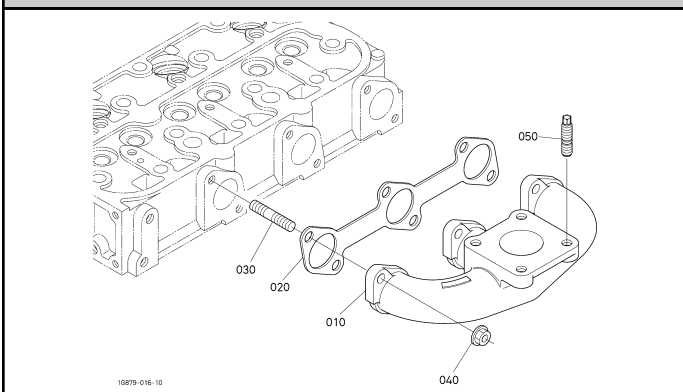
### 060000 VALVE AND ROCKER ARM



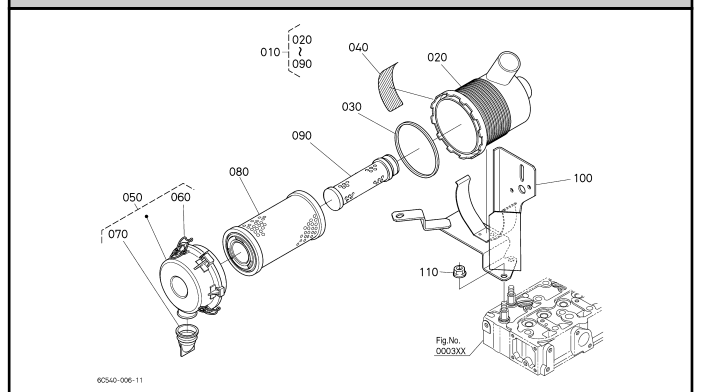
### 060100 INLET MANIFOLD



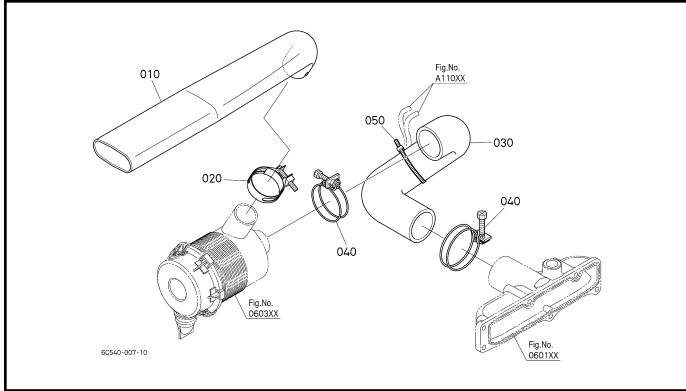
### 060200 EXHAUST MANIFOLD



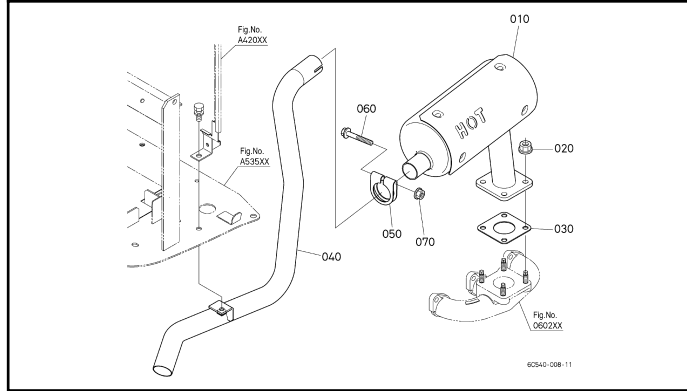
### 060300 AIR CLEANER



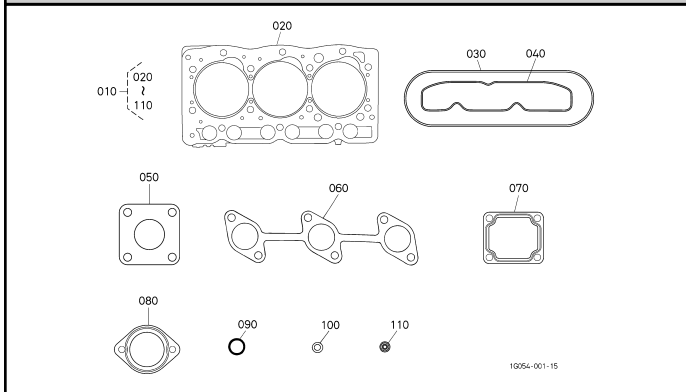
060400 INLET PIPE (AIR CLEANER)



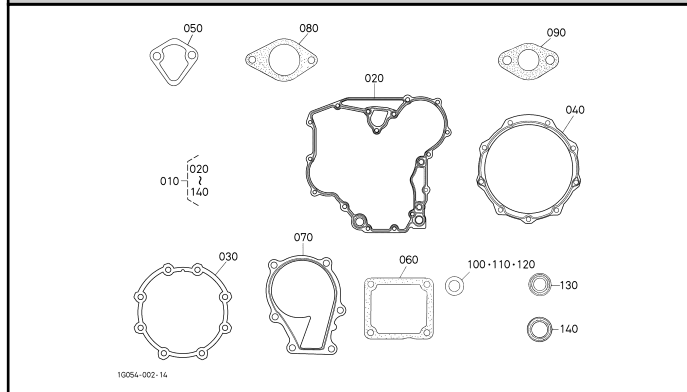
060500 MUFFLER



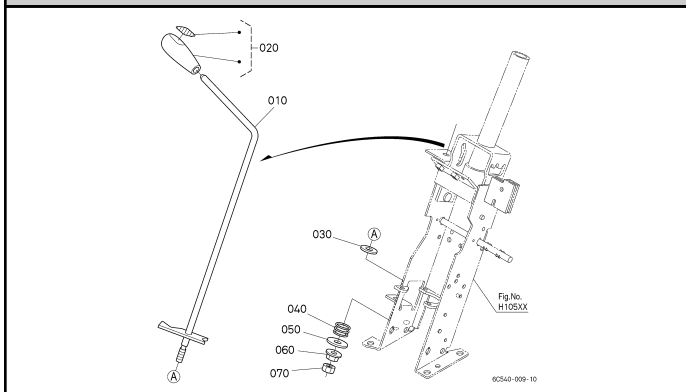
090000 UPPER GASKET KIT



090100 LOWER GASKET KIT



A00100 ACCELERATOR LEVER



A03000 ACCELERATOR ROD

