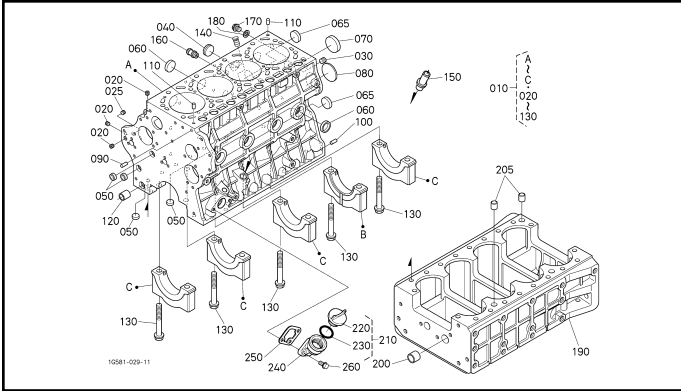
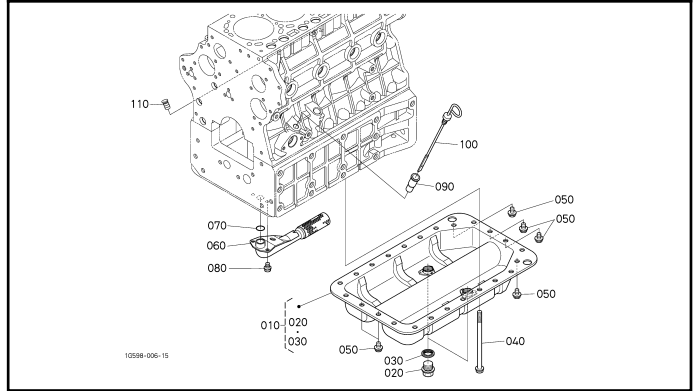


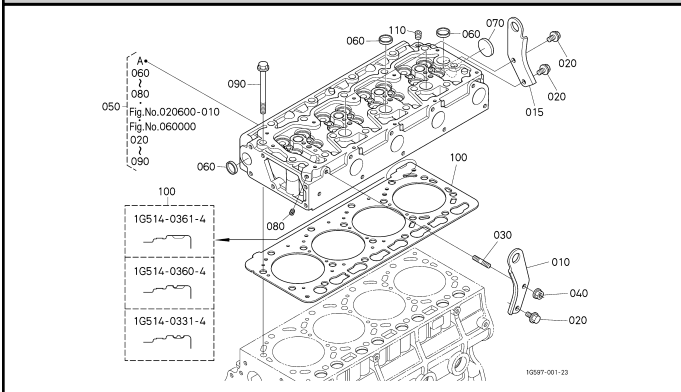
### 000100 CRANKCASE



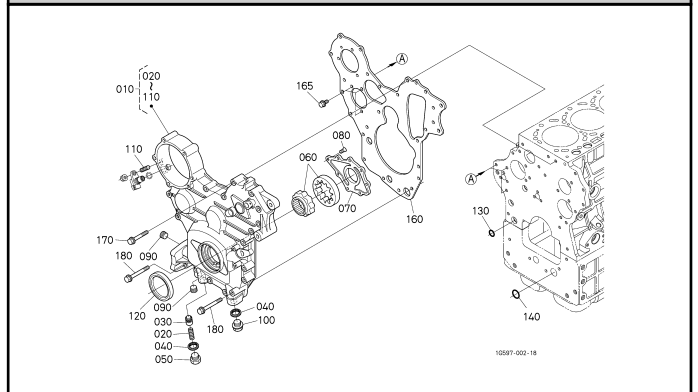
### 000200 OIL PAN



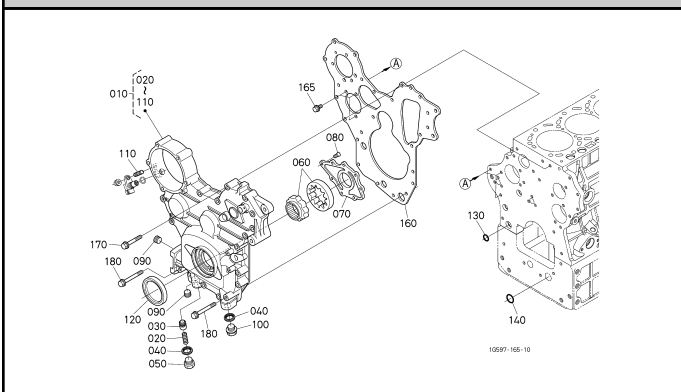
### 000300 CYLINDER HEAD



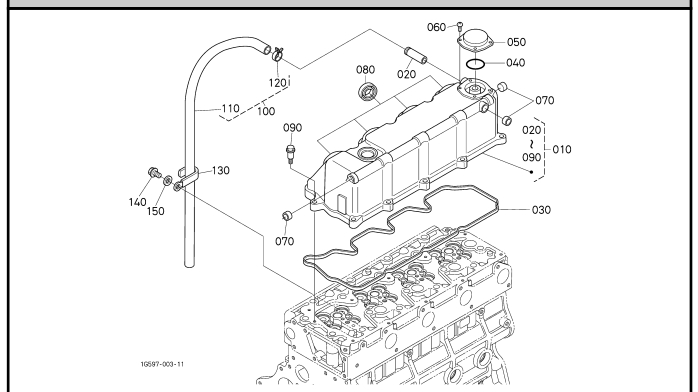
### 000401 GEAR CASE [OLD]



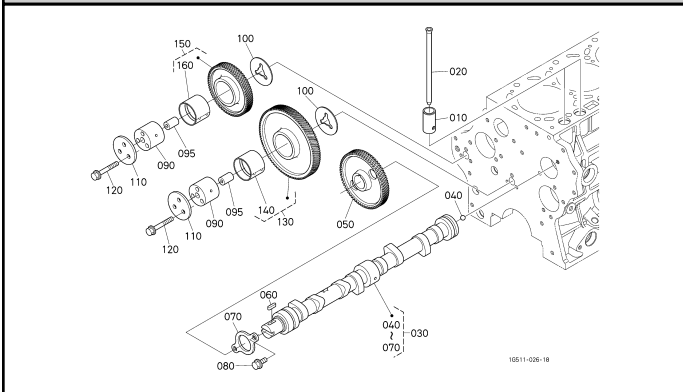
### 000402 GEAR CASE [NEW]



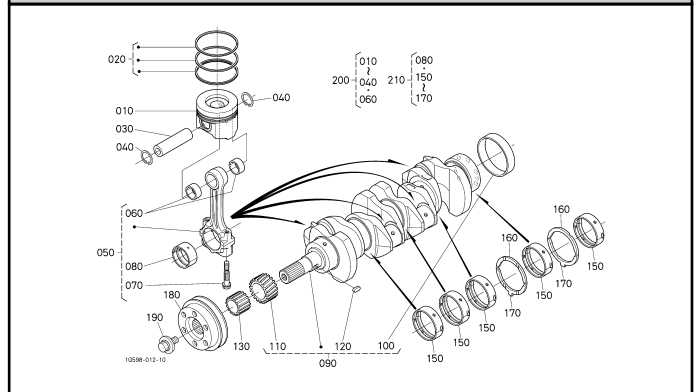
### 000500 HEAD COVER



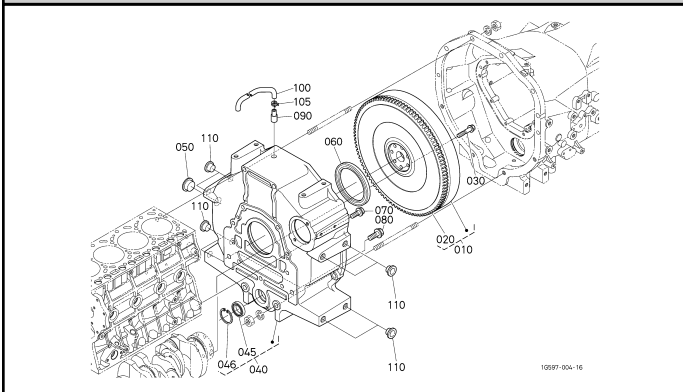
### 010100 CAMSHAFT AND IDLE GEAR SHAFT



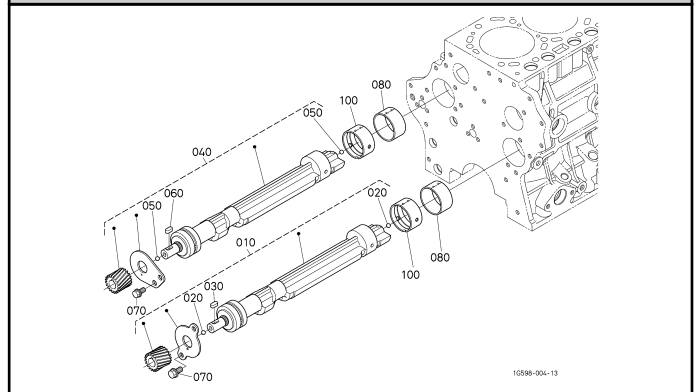
### 010200 PISTON AND CRANKSHAFT



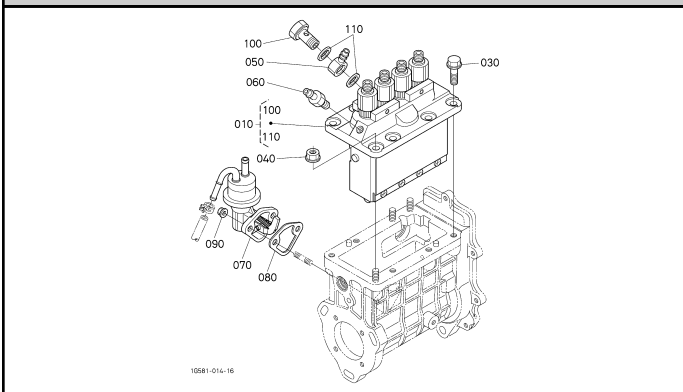
### 010300 FLYWHEEL



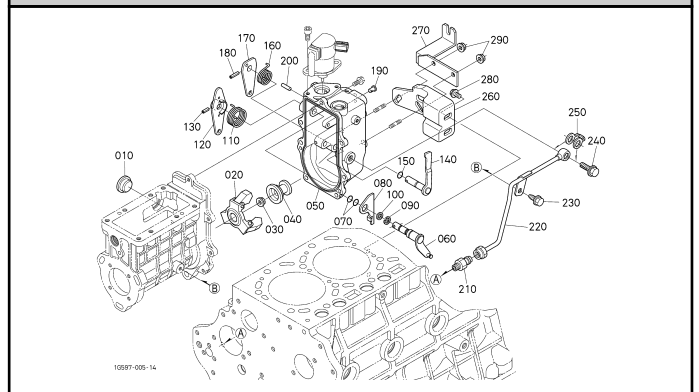
### 010600 BALANCER



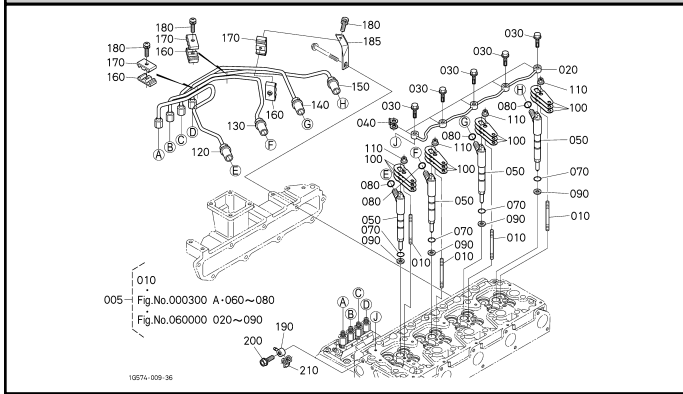
### 020200 INJECTION PUMP



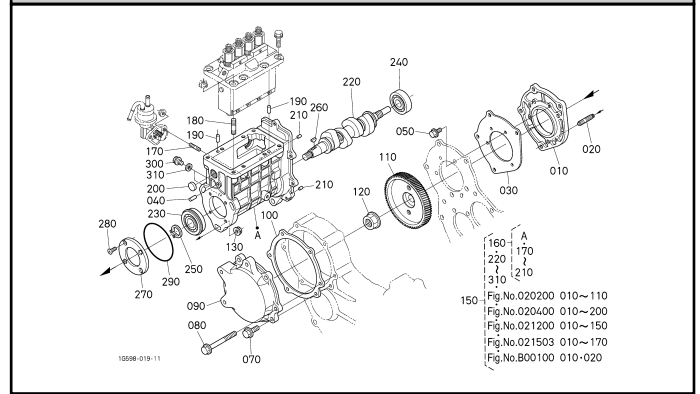
### 020400 GOVERNOR



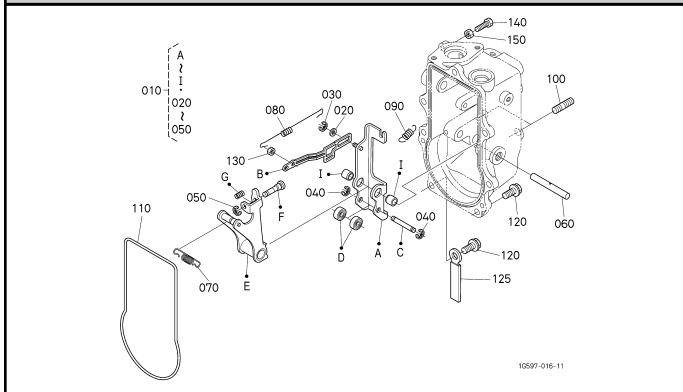
020600 NOZZLE HOLDER



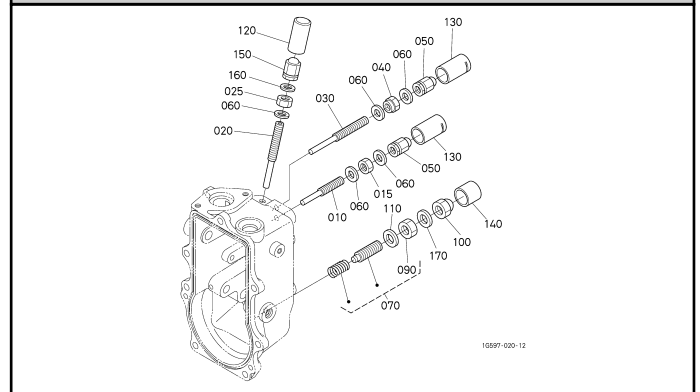
020900 PUMP HOUSING



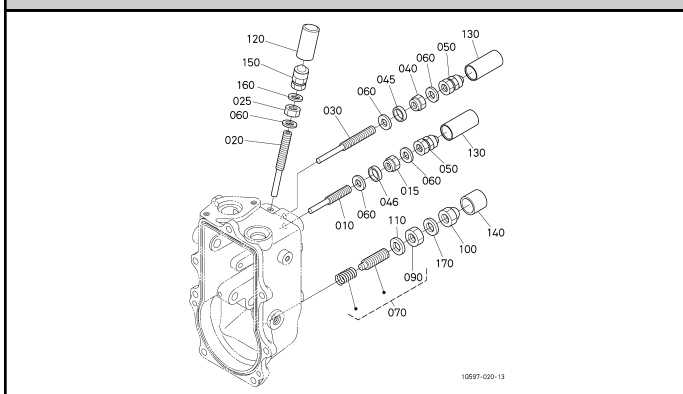
021200 FORK LEVER (GOVERNOR)



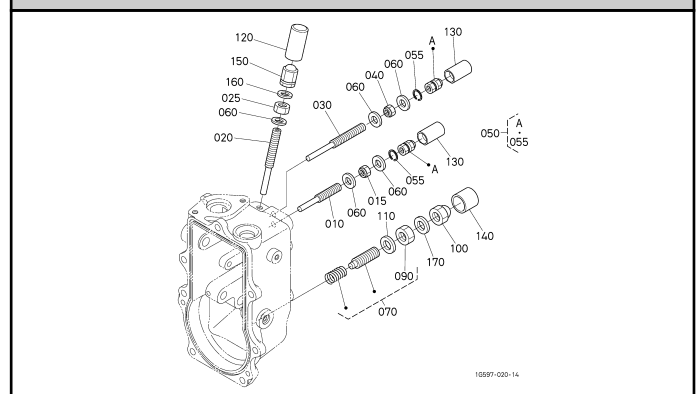
021501 GOVERNOR ADJUSTING BOLT [OLD]



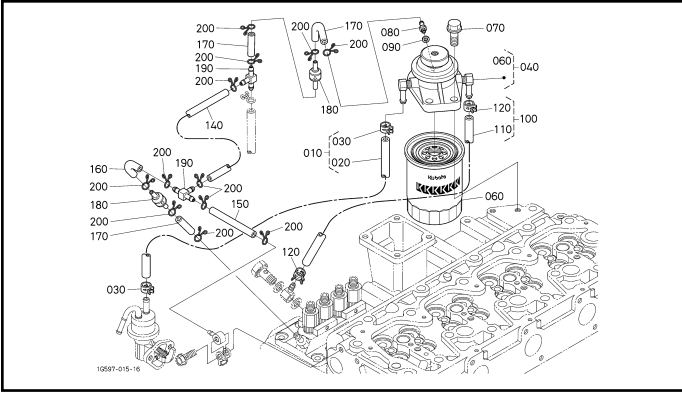
021502 GOVERNOR ADJUSTING BOLT [OLD]



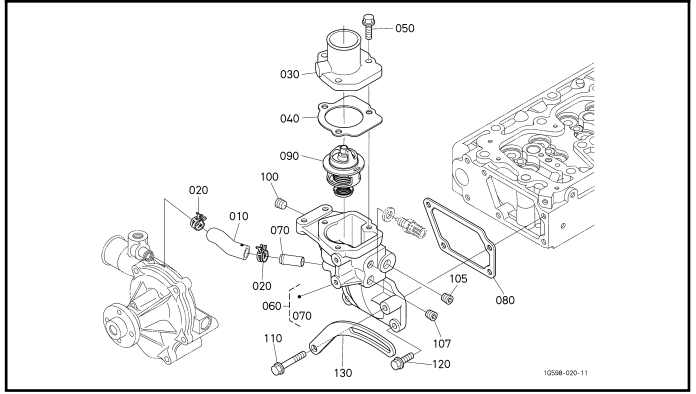
021503 GOVERNOR ADJUSTING BOLT [NEW]



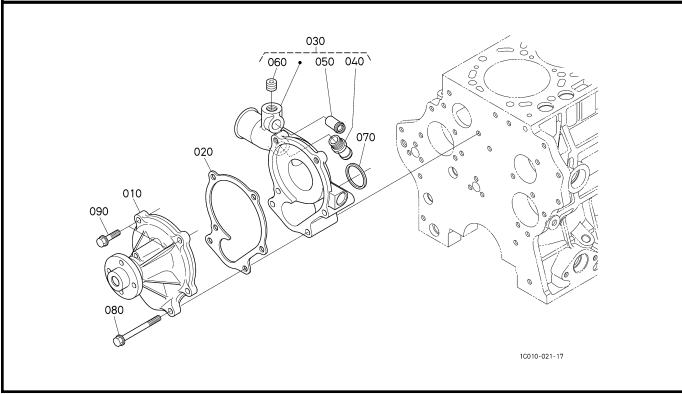
### 030000 FUEL FILTER



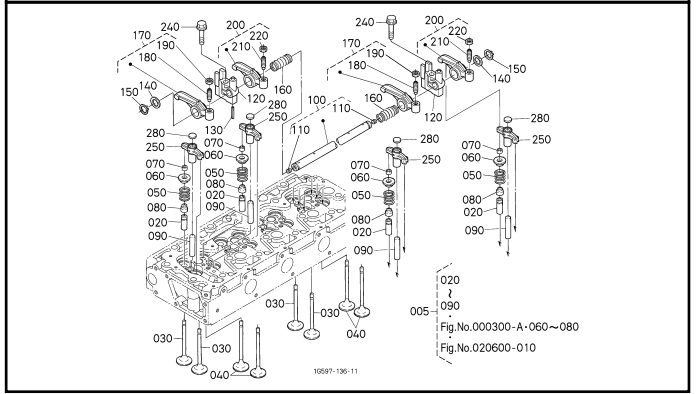
### 050000 WATER FLANGE AND THERMOSTAT



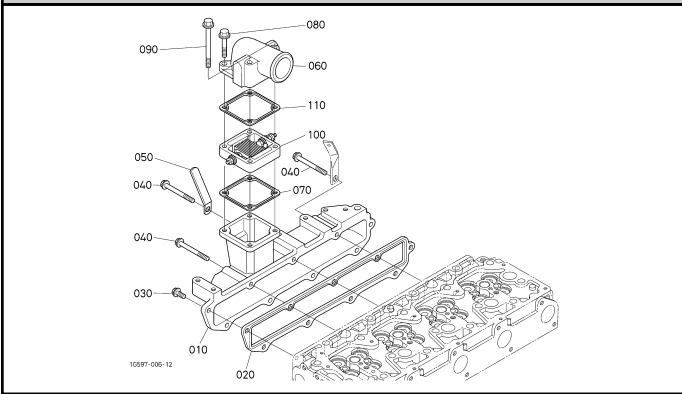
### 050100 WATER PUMP



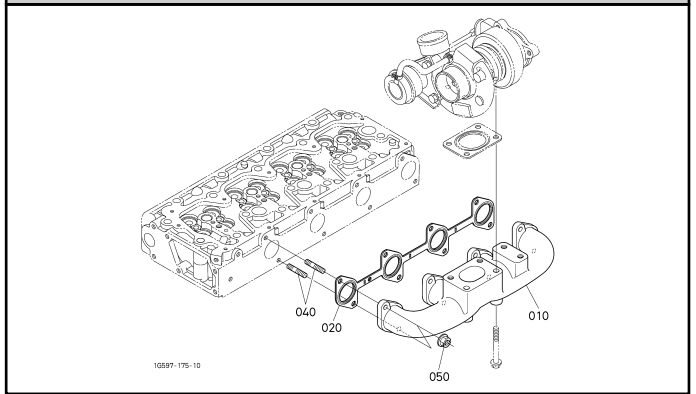
### 060000 VALVE AND ROCKER ARM



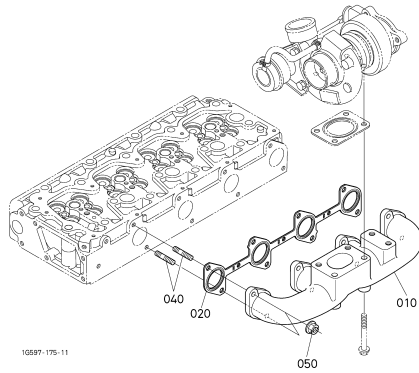
### 060100 INLET MANIFOLD



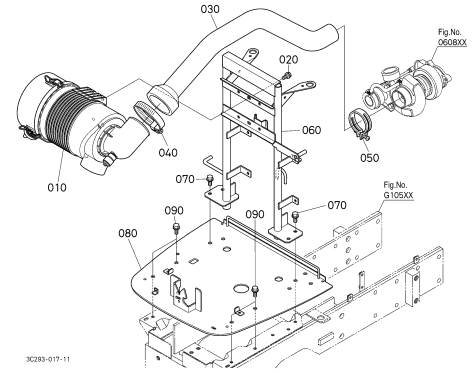
### 060200 EXHAUST MANIFOLD [OLD]



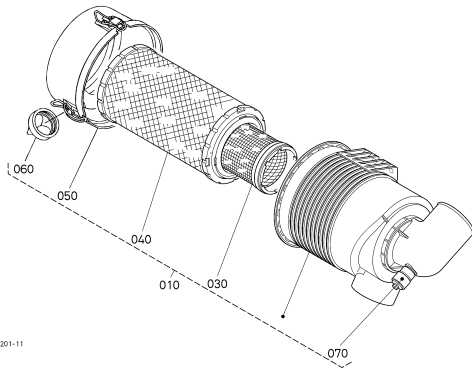
### 060201 EXHAUST MANIFOLD [NEW]



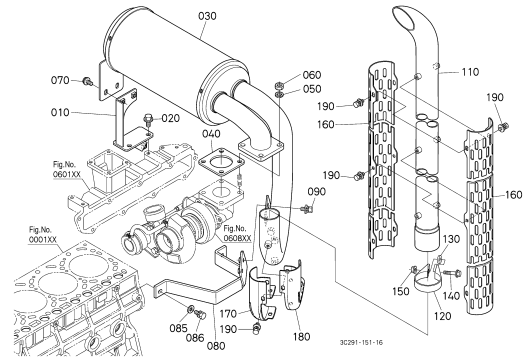
### 060300 AIR CLEANER



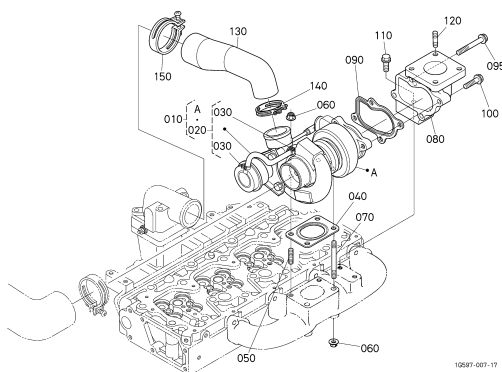
### 060400 AIR CLEANER [COMPONENT PARTS]



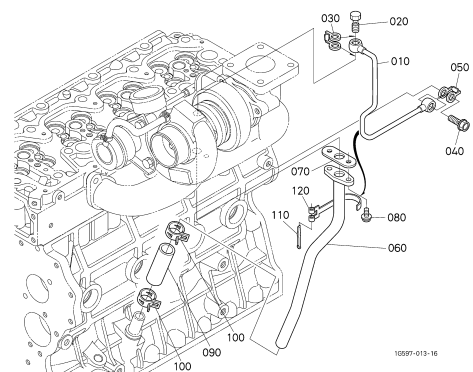
### 060700 MUFFLER



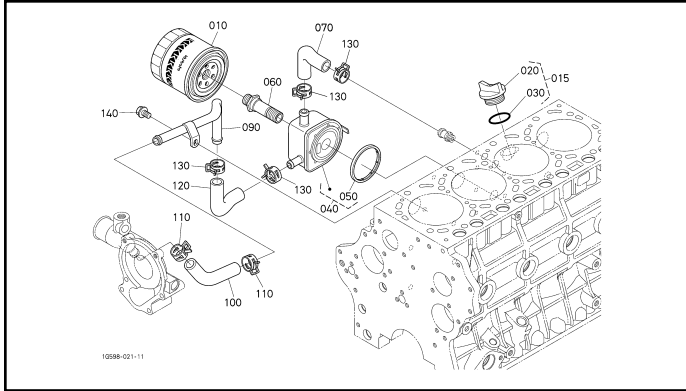
### 060800 TURBO CHARGER



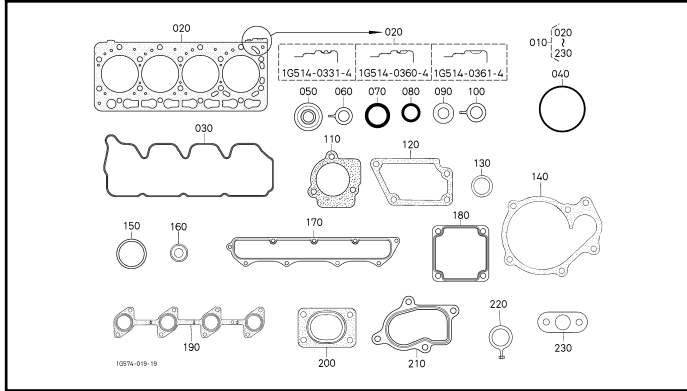
### 061100 OIL PIPE (TURBO CHARGER)



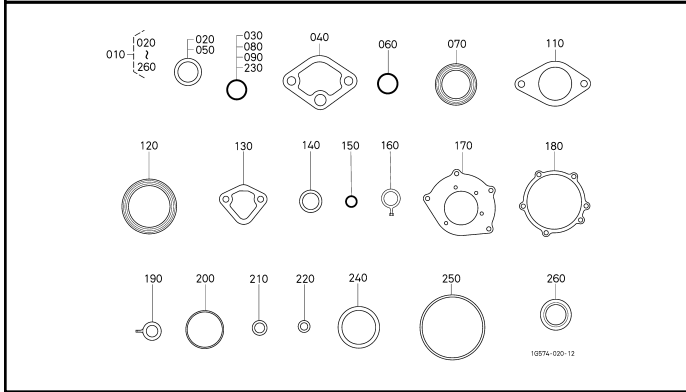
### 070500 OIL COOLER



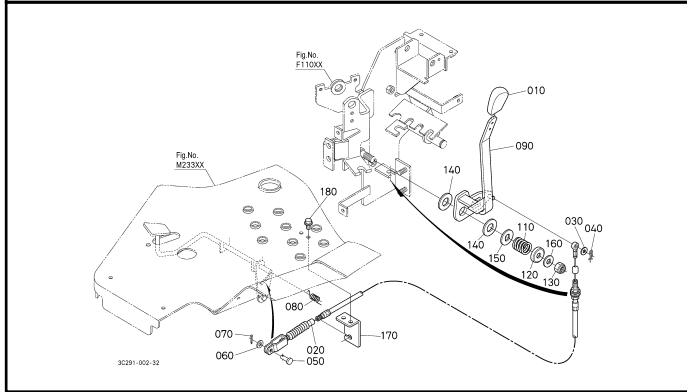
### 090600 UPPER GASKET KIT



### 090700 LOWER GASKET KIT



### A01000 HAND ACCELERATOR LEVER



### A03000 ACCELERATOR PEDAL

