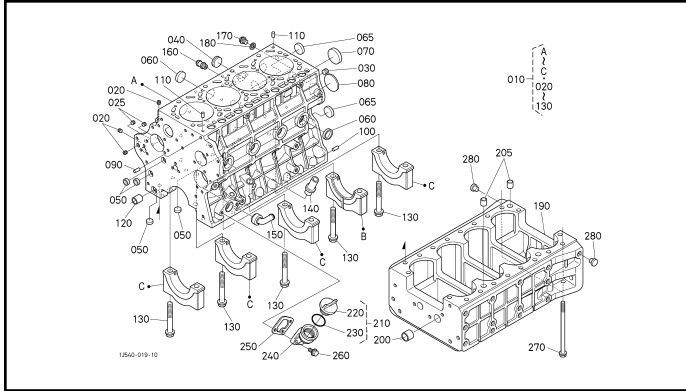
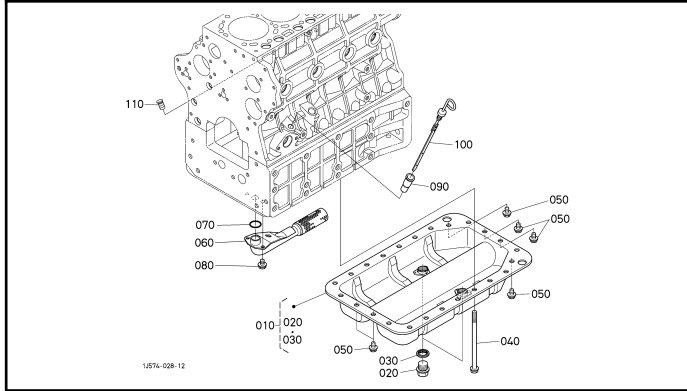


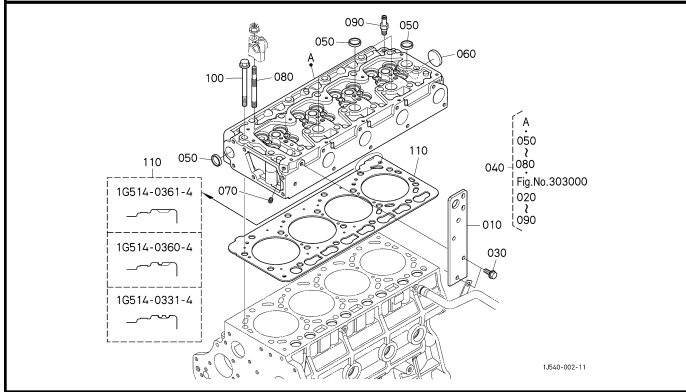
300000 CRANKCASE



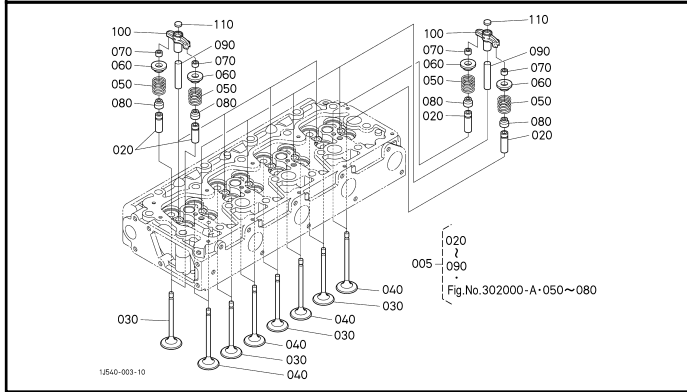
301000 OIL PAN



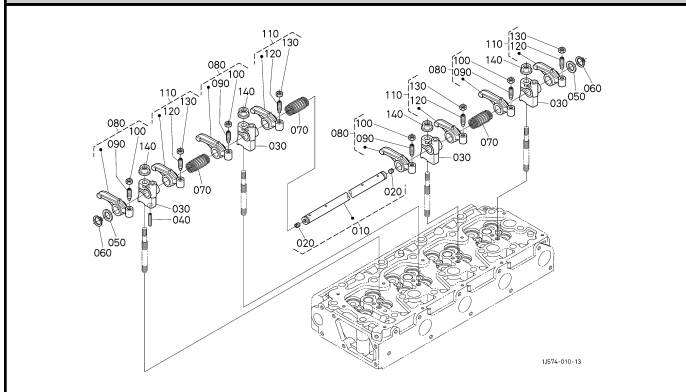
302000 CYLINDER HEAD



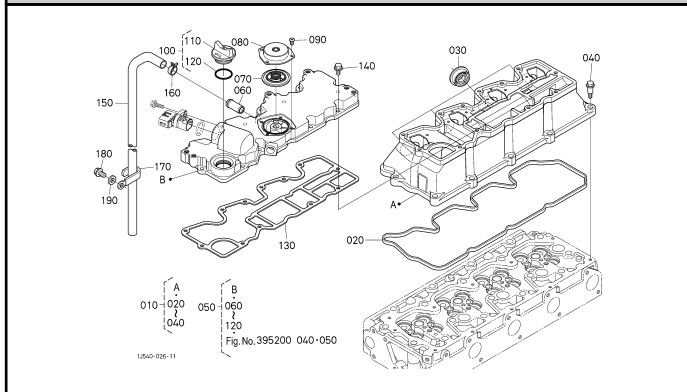
303000 INLET VALVE AND EXHAUST VALVE



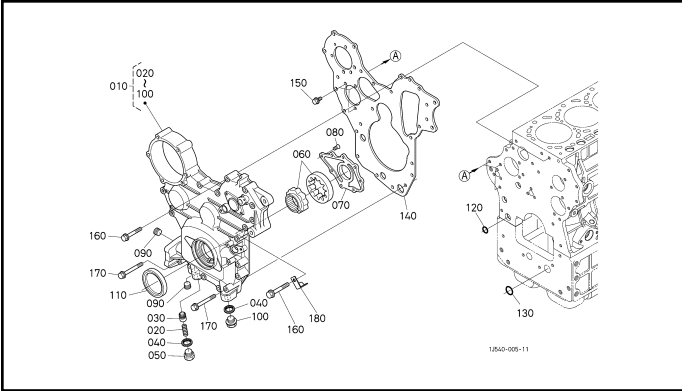
304000 ROCKER ARM SHAFT



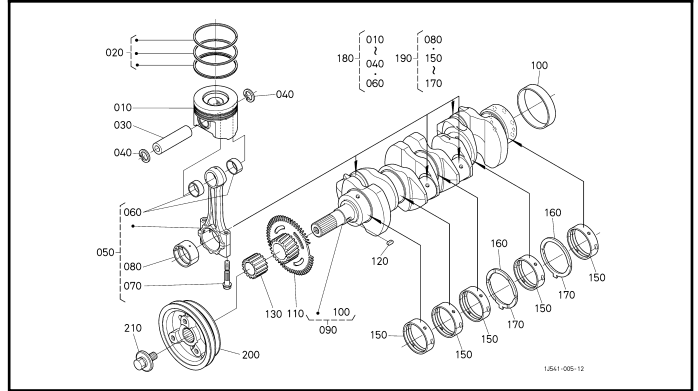
305000 HEAD COVER



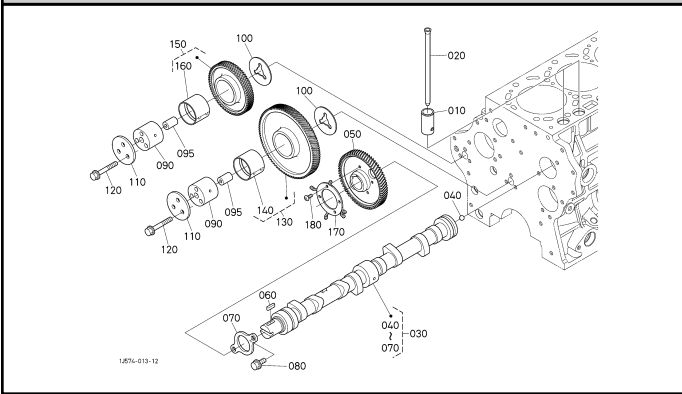
308000 GEAR CASE



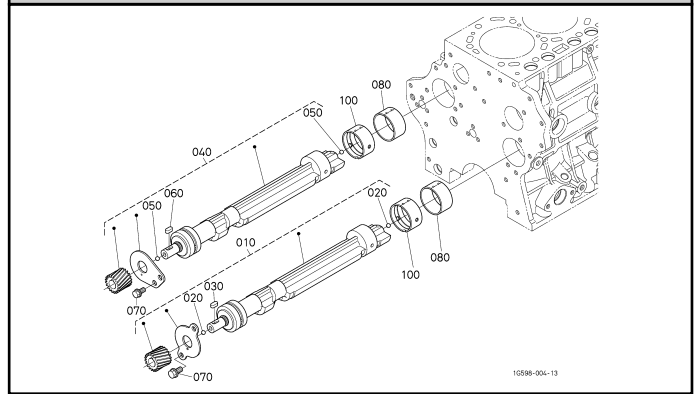
311000 PISTON AND CRANKSHAFT



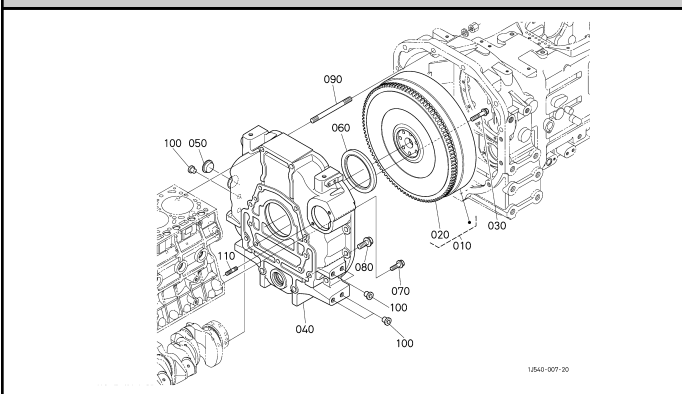
312000 CAMSHAFT AND IDLE GEAR SHAFT



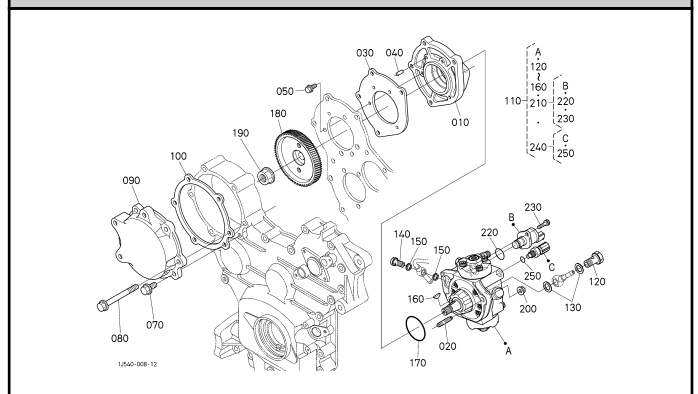
313000 BALANCER



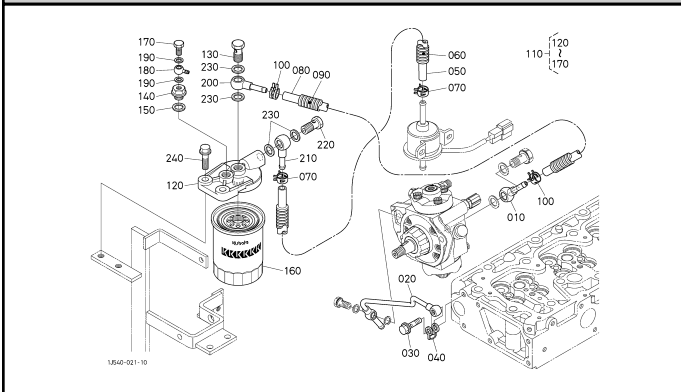
315000 FLYWHEEL



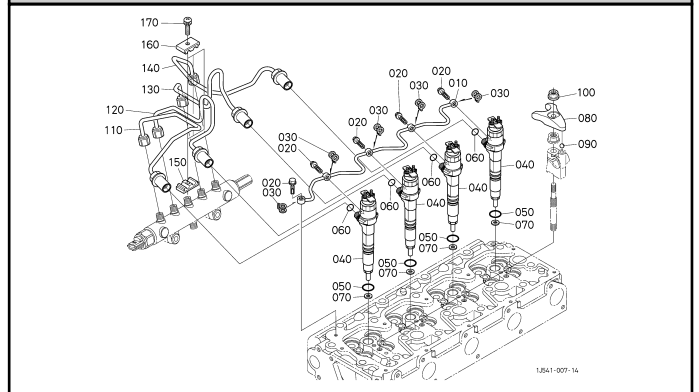
320500 SUPPLY PUMP



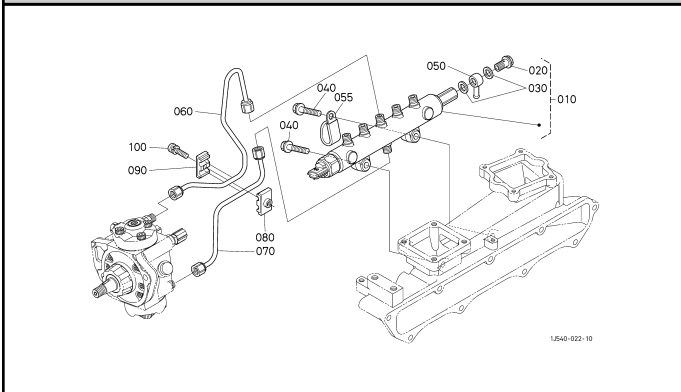
331000 FUEL FILTER



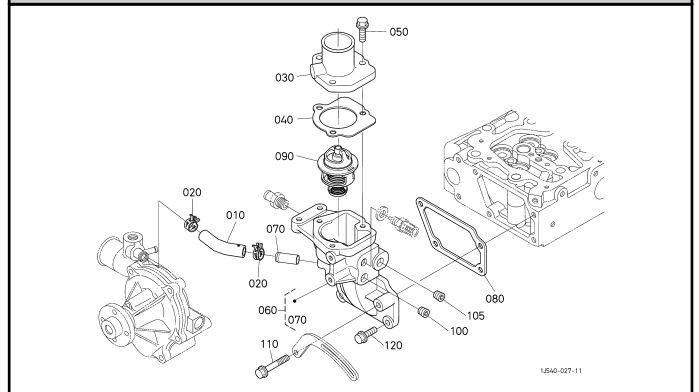
345000 INJECTION PIPE



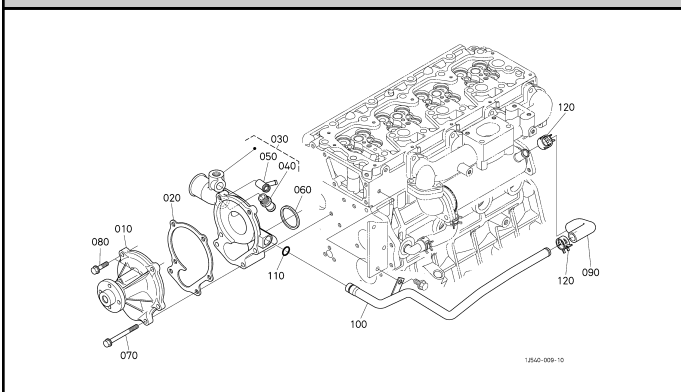
348000 COMMON RAIL



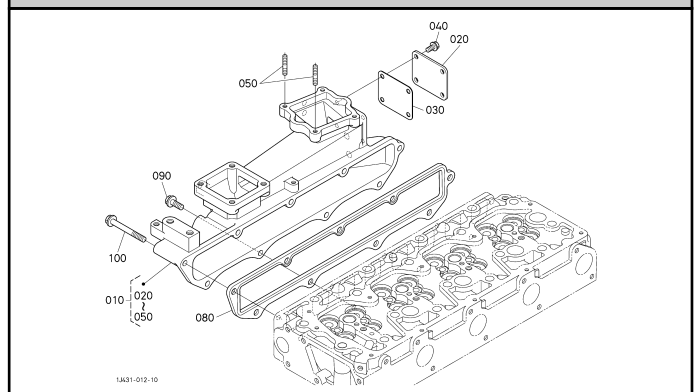
360000 WATER FLANGE AND THERMOSTAT



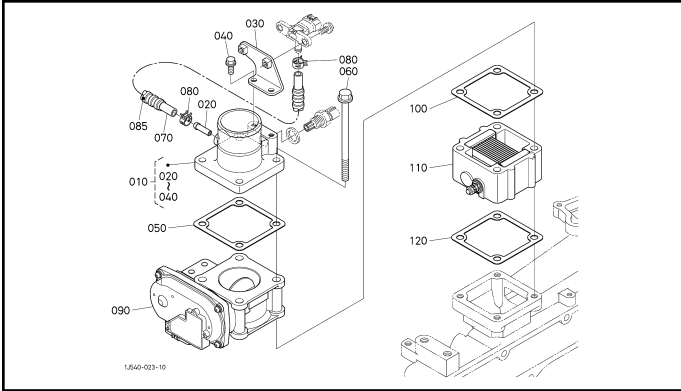
361000 WATER PUMP



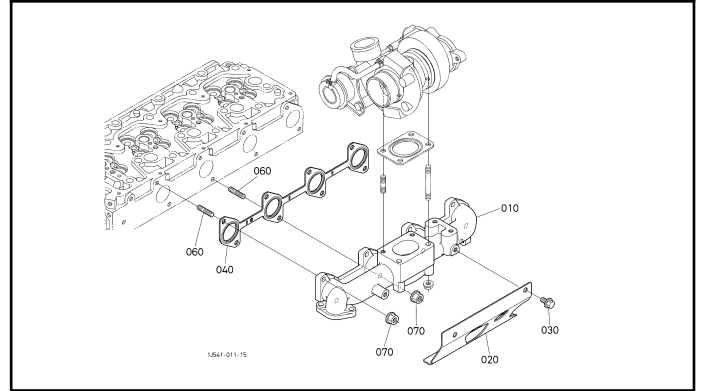
371000 INLET MANIFOLD



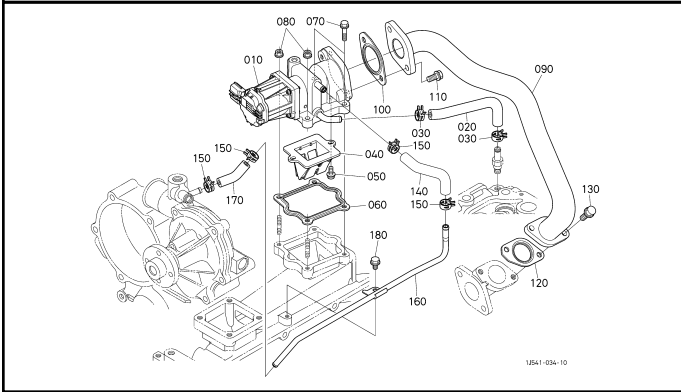
371200 AIR CLEANER FLANGE AND THROTTLE VALVE



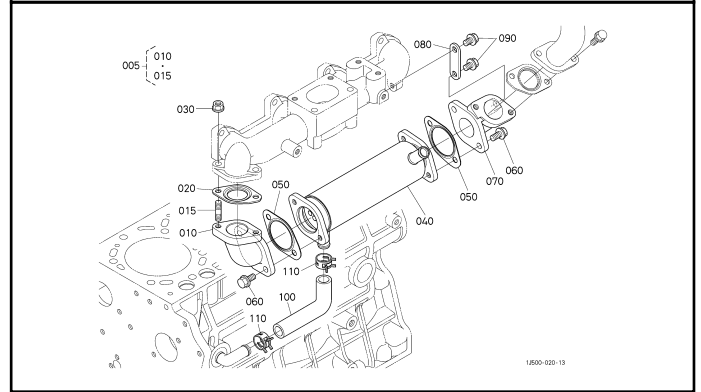
372000 EXHAUST MANIFOLD



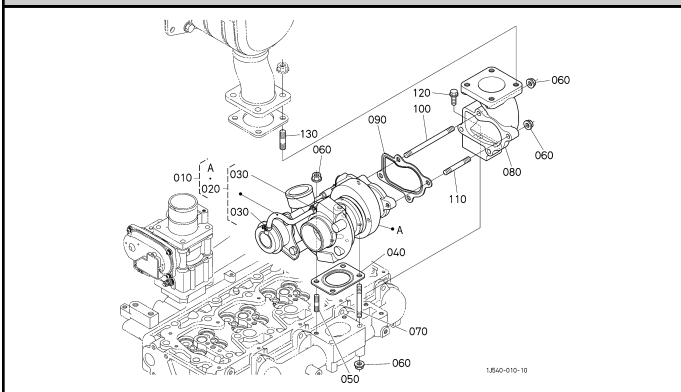
372200 EGR VALVE



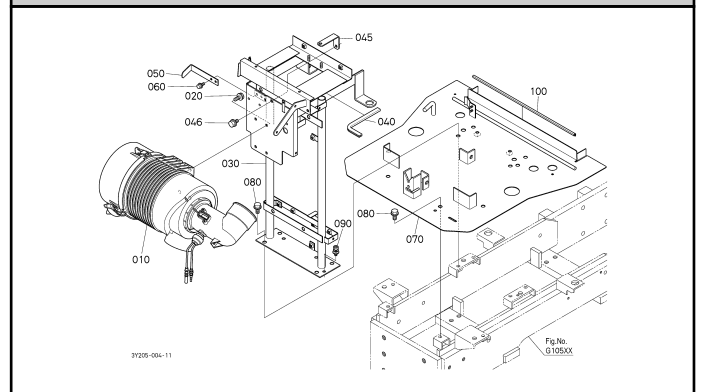
372300 EGR COOLER



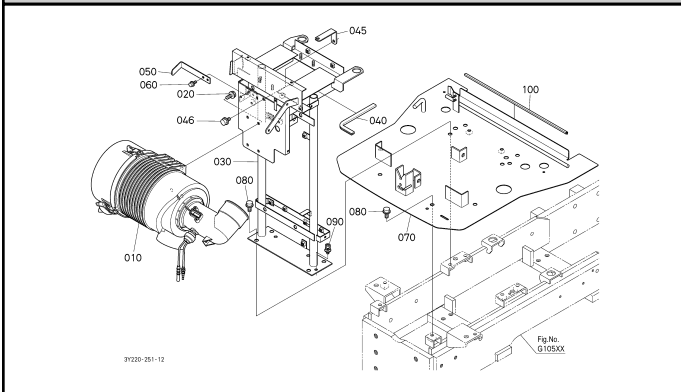
372600 TURBO CHARGER



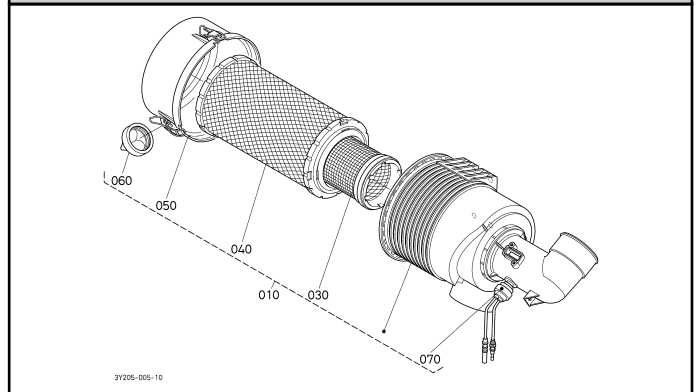
373001 AIR CLEANER [OLD]



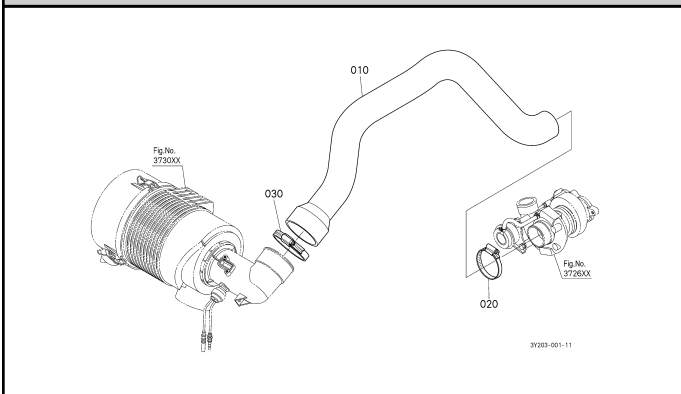
373002 AIR CLEANER [NEW]



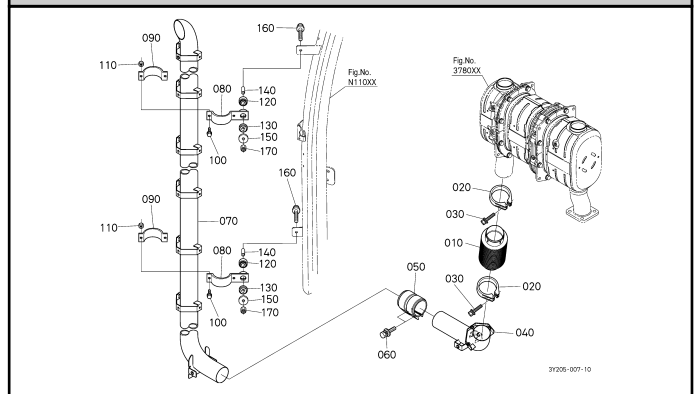
373500 AIR CLEANER [COMPONENT PARTS]



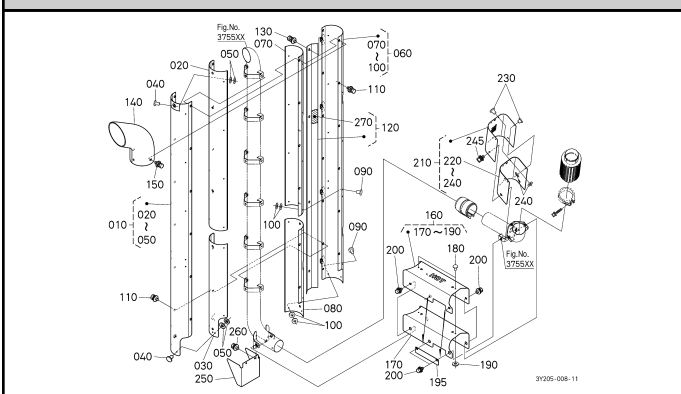
374500 INLET PIPE (AIR CLEANER)



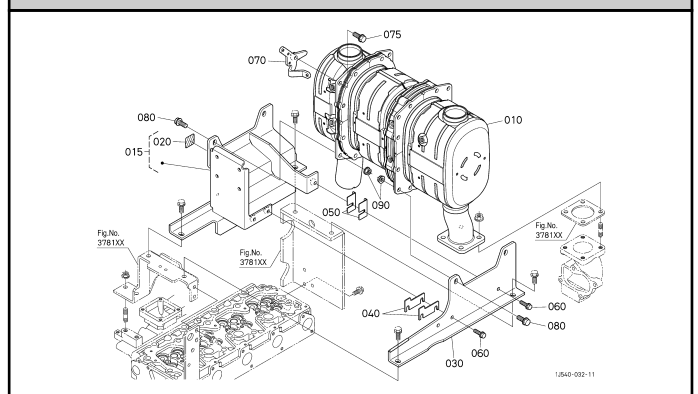
375500 MUFFLER PIPE



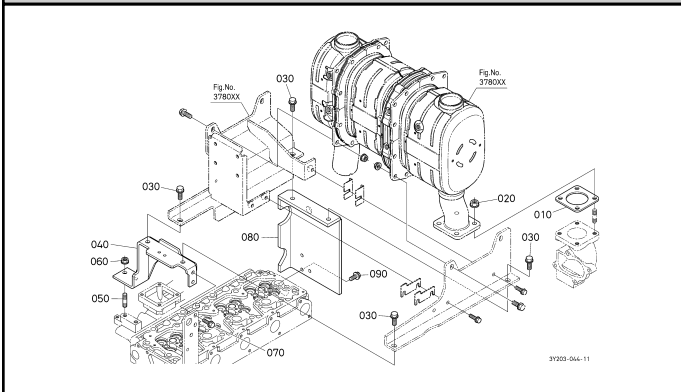
376000 MUFFLER PIPE COVER



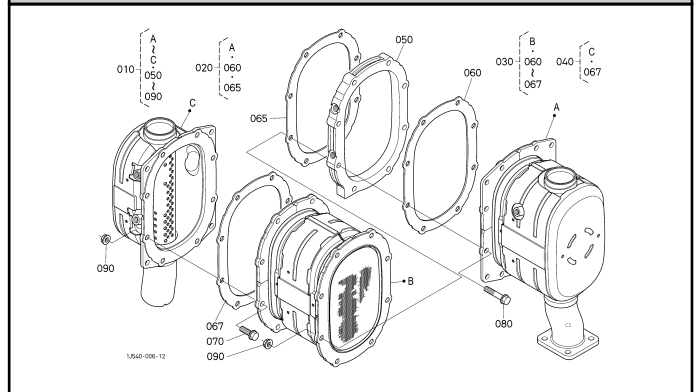
378000 DIESEL PARTICULATE FILTER MUFFLER



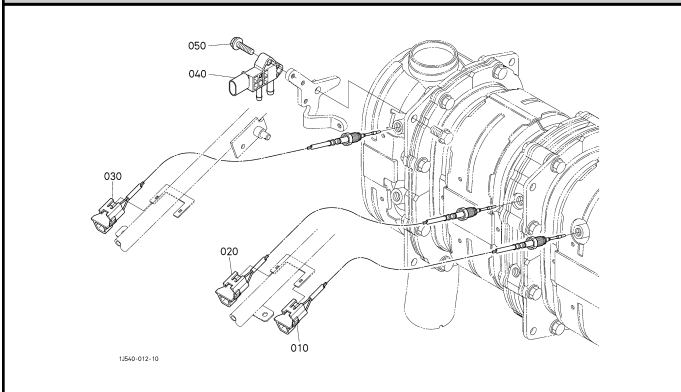
378100 MUFFLER BRACKET



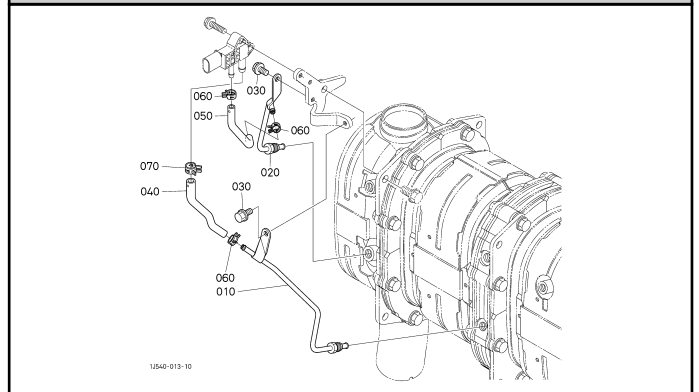
378200 DIESEL PARTICULATE FILTER MUFFLER [COMPONENT PARTS]



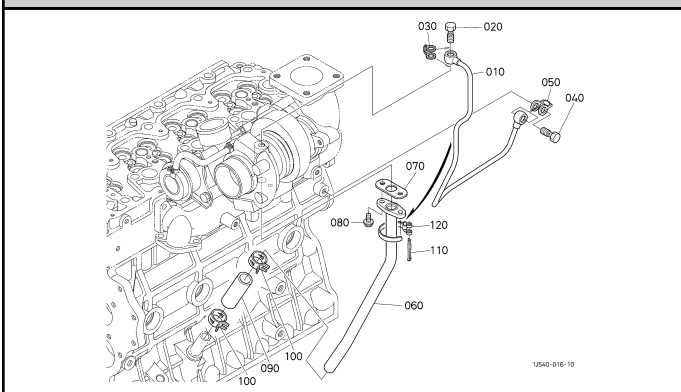
378400 MUFFLER SENSOR



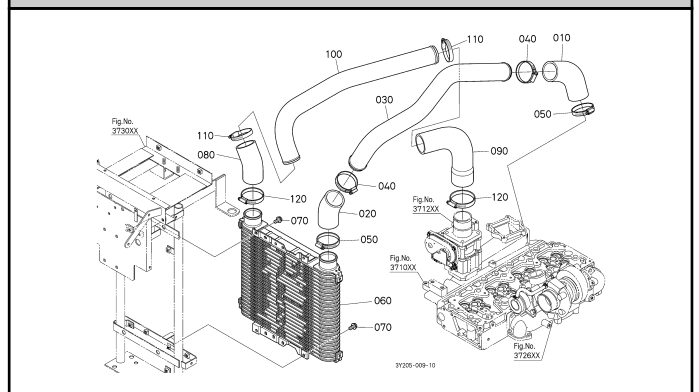
378600 PRESSURE PIPE



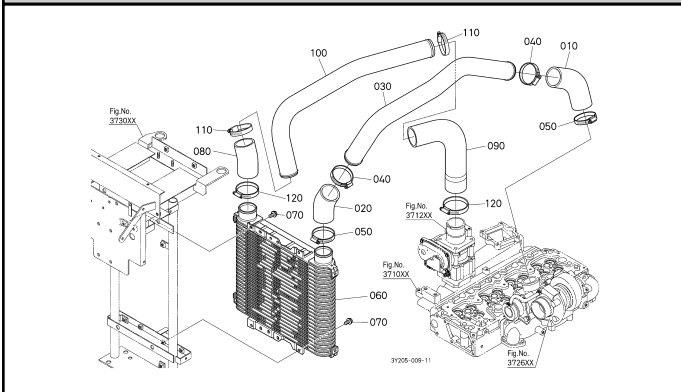
380000 OIL PIPE (TURBO CHARGER)



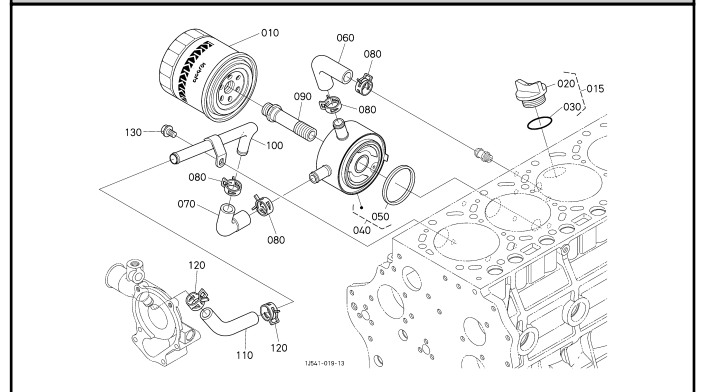
381001 INTER COOLER [OLD]



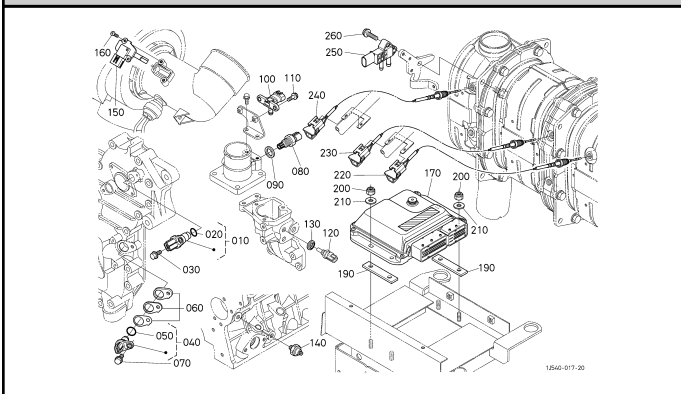
381002 INTER COOLER [NEW]



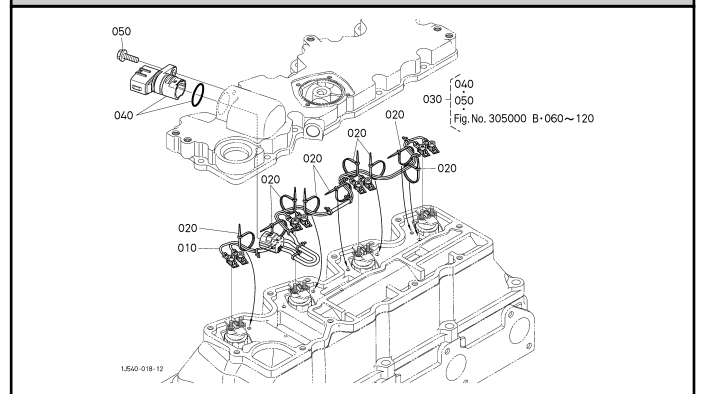
382000 OIL COOLER



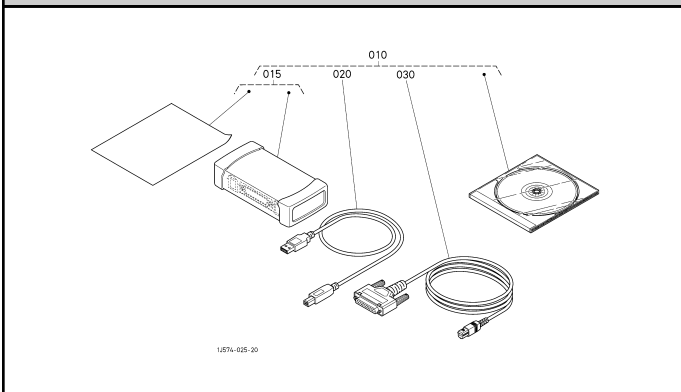
395000 ENGINE ELECTRICAL PARTS



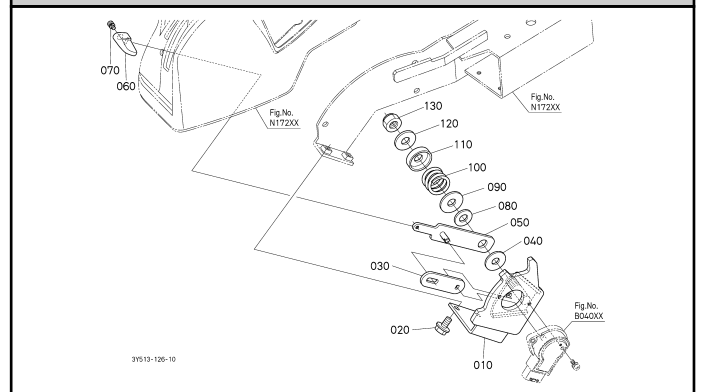
395200 INJECTOR HARNESS



399000 Diagmaster



A01000 ACCELERATOR LEVER



A03000 ACCELERATOR PEDAL

