

LED Modern Arch Outdoor Wall Sconce

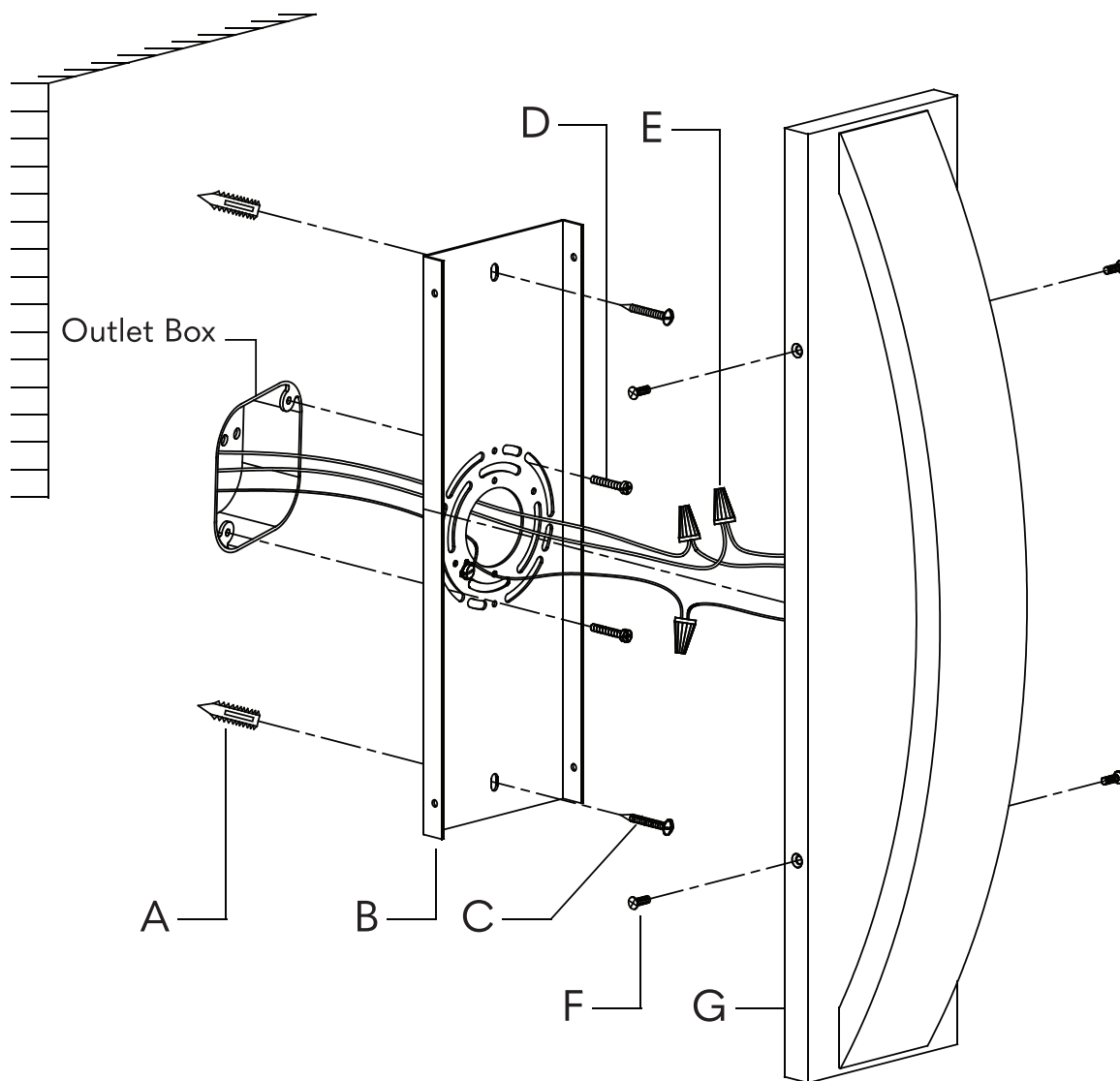
Installation Instructions for item AL10016WS

AMBIATE

CAUTION: To prevent electrical shock, ensure electricity has been turned off at the circuit breaker before beginning.

- Read all instructions before installing.
- Ensure all electrical connections must be made in accordance with the National Electric Code and local codes and ordinances. If you are uncertain of the methods of installing electrical wiring and lighting fixtures, secure the services of a qualified licensed electrician.
- Retain installation instructions for future maintenance reference.

MAINTENANCE NOTE: Coastal conditions may cause mineral and residue build-up on the fixture. We recommend that customers in coastal areas clean all external surfaces of the fixture once every two weeks with a wet cloth.



PREPARATION

- Shut off the power at the circuit breaker and remove existing fixture, including the mounting plate.
- Carefully unpack your new fixture and lay out all the parts on a clear area. Be careful not to lose any small parts necessary for installation.

MOUNTING THE FIXTURE

1. Remove mounting plate (B) from the canopy (G).
2. Install the mounting plate (B) on the outlet box and the wall using the mounting screws (D), the anchors (A) and the tapping screws (C).
3. Connect the fixture wires to the main wires by wire nuts (E), black wire with live wire, white wire with negative wire, ground wire with ground wire.
4. Fix the canopy (G) to the mounting plate (B) by the screw (F).

NOTE

It is recommended to apply silicon caulk around edge of wall canopy to weatherproof.