

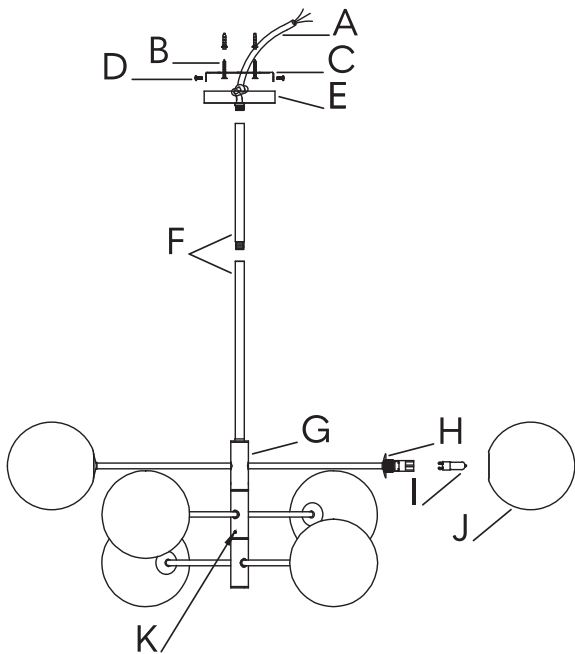
# 6 Light Modern Sputnik Chandelier Fixture

## Installation Instructions for item AL10004C6

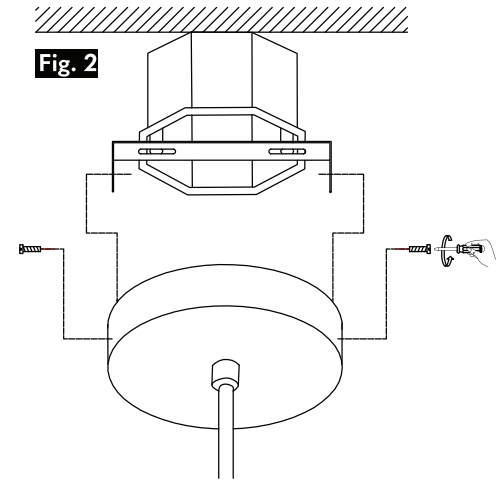
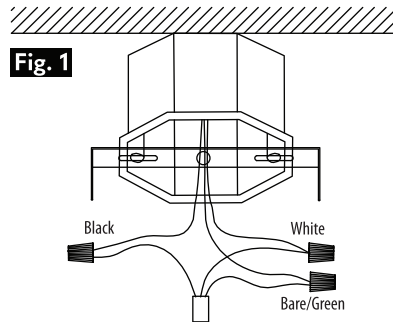
# AMBIATE

**CAUTION: To prevent electrical shock, ensure electricity has been turned off at the circuit breaker before beginning.**

- Read all instructions before installing.
- Ensure all electrical connections must be made in accordance with the National Electric Code and local codes and ordinances. If you are uncertain of the methods of installing electrical wiring and lighting fixtures, secure the services of a qualified licensed electrician.
- Retain installation instructions for future maintenance reference.



Reminder: loosen the screw when turning



### PREPARATION

1. Shut off the power at the circuit breaker and remove existing fixture, including the crossbar.
2. Carefully unpack your new fixture and lay out all the parts on a clear area. Be careful not to lose any small parts necessary for installation.

### MOUNTING THE FIXTURE

3. Remove crossbar (C) from canopy (E) by unscrewing the canopy screws (D) from side of canopy.
4. Install crossbar (C) onto junction box using mounting screws (B). Gently pull the wires from the junction box and thread them through the center hole of the crossbar (C).
5. Thread fixture wires (A) through stems (F) and canopy (E).
6. Screw stems (F) together and affix to fixture body (G).
7. Measure the fixture wires (A) to desired height and allow at least 1 foot of excess wire.
8. Slide provided nut with washer down the fixture wire (A) and screw the nut so that the canopy (E) is flush with the top stem (F). Now, fixture body, stems, and canopy should be attached to each other.
9. Connect the fixture wires (A) to junction box wires as shown (Fig. 1). Black to black, white to white, and bare/green to bare/green. Make sure that all wire connectors are secure. If your junction box has a green or bare copper ground wire, connect the bare copper wire from the fixture to it. Otherwise, connect the fixture's ground wire directly to the crossbar (C) using the green screw. After wires are connected, tuck them carefully inside the junction box.
10. Attach canopy (E) to crossbar (C) by tightening the canopy screws (D). (Fig. 2.)
11. Use the Hex screw (K) to tighten fixture body (G) into desired position.
12. Install bulbs (I) into sockets (H), not to exceed max rated wattage.
13. Thread glass shades (J) onto the sockets (H). Turn on power at the circuit breaker.