



A R K T U R A

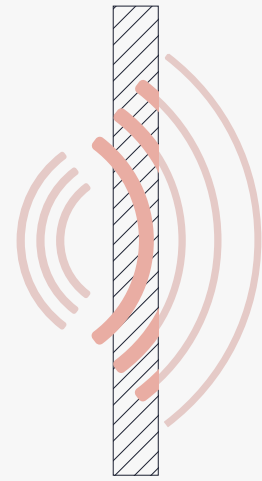
SoftShapes™ Hex



Acoustic **Clouds**

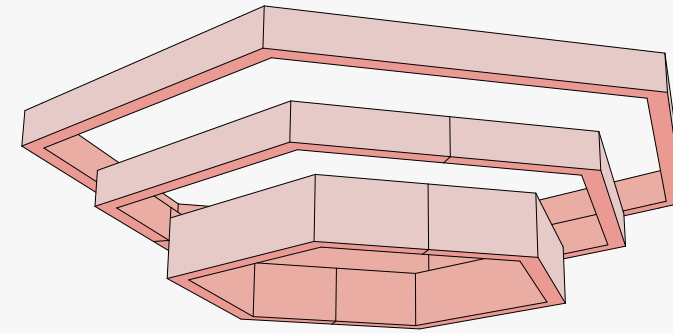
Our Key Features

SoftShapes™ Hex brings the best of Arktura's versatility and Soft Sound® acoustics to match the extent of your creative imagination. Complete one-of-a-kind designs not previously attainable with these acoustic clouds available in multi-sided form factors. Install in tandem with other geometric Arktura modules such as SoundStar® and SoftGrid® for truly unique configurations.



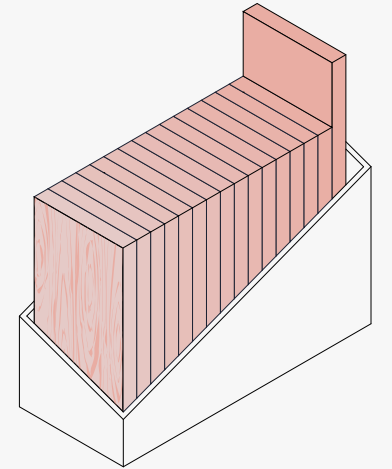
Reduce Noise & Enhance Acoustics

SoftShapes™ Soft Sound® material reduces the impact of noise from everyday sonic discomforts such as outside noise, typing, and chatter, resulting in a more pleasant and productive environment. In addition, its material works in concert with the design to help reduce and control reverberations leaving a lasting impression at scales ranging from assembly halls to conference rooms.



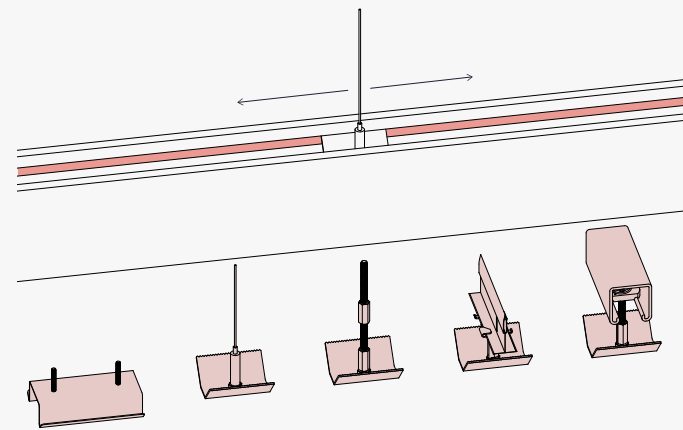
Profiles to Suit Your Needs

SoftShapes™ offers a wide range of available sizes that can be configured to best suit your needs. For example, align multiple shapes adjacent to each other or stack modules of varying sizes.



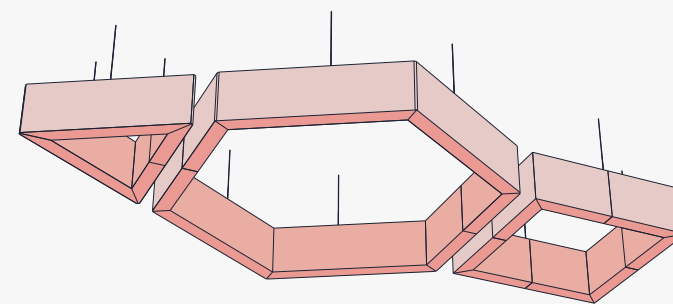
Expansive Soft Sound® Library

Choose from an extensive library of Soft Sound® colors and premium wood textures. Soft Sound® material provides impressive looks and top-quality sound attenuation.



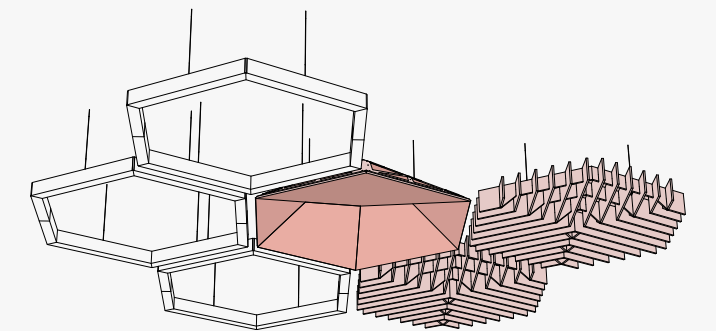
Adjustable & Flexible Attachments

Accommodate various plenum and site conditions thanks to adjustable drop locations and 5 available attachment methods, allowing installation ceilings or walls.



Configure SoftShapes™ in Creative Ways

SoftShapes™ is available in various shapes, widths, and depth options, giving you complete design flexibility in any space. In addition, it can be mixed with other SoftShapes™ modules to create new and exciting geometric systems for wall and ceiling installations.



Compatible with SoundStar® & SoftGrid®

Select SoftShapes™ Hex modules are compatible with Arktura's modular hexagonal acoustic cloud systems. Use together to bring transformative design variation to any space.

Inspiration



Open-air structure allows integration with 3rd party lighting



Install in tandem with various sizes to create a nesting effect



Create sprawling geometric patterns for a focal point ceiling

Overview

1 Understanding the System

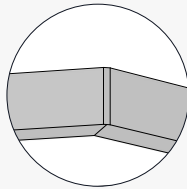
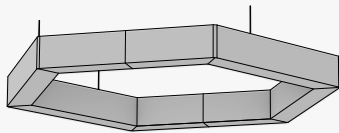
2 Available Finishes

3 Product Specifications

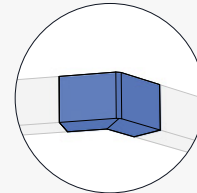
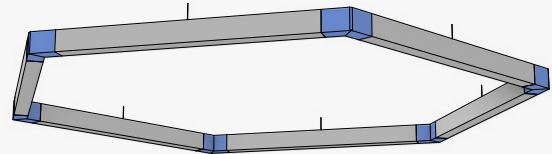
1 Understand the System

Standard Configurations

SoftShapes™ Hex modules are available in 45 different size configurations and 4 assembly types.*



3 Assembly Types: All Ship Flat Packed
(Corners included in Module Assembly)

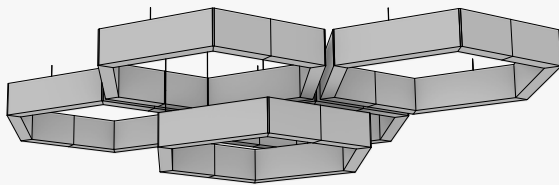


1 Assembly Type : Ships Pre-Assembled + Flat Packed
(Pre-Assembled Corner + Flat Packed Beams)

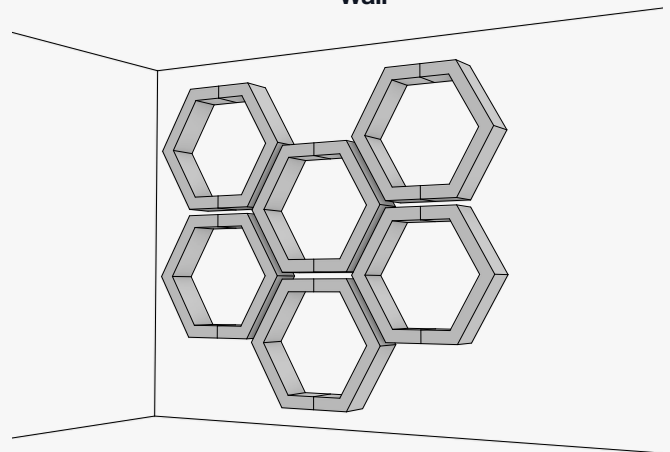
Multiple Modules

SoftShapes™ may be installed in tandem with multiple modules to create new layouts, both in ceiling and wall applications.

Ceiling



Wall

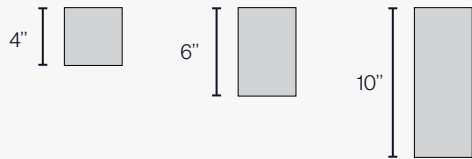


* Refer to the Installation Manual for more info.

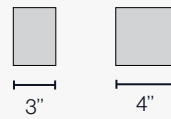
1 Understanding the System

Dimensions

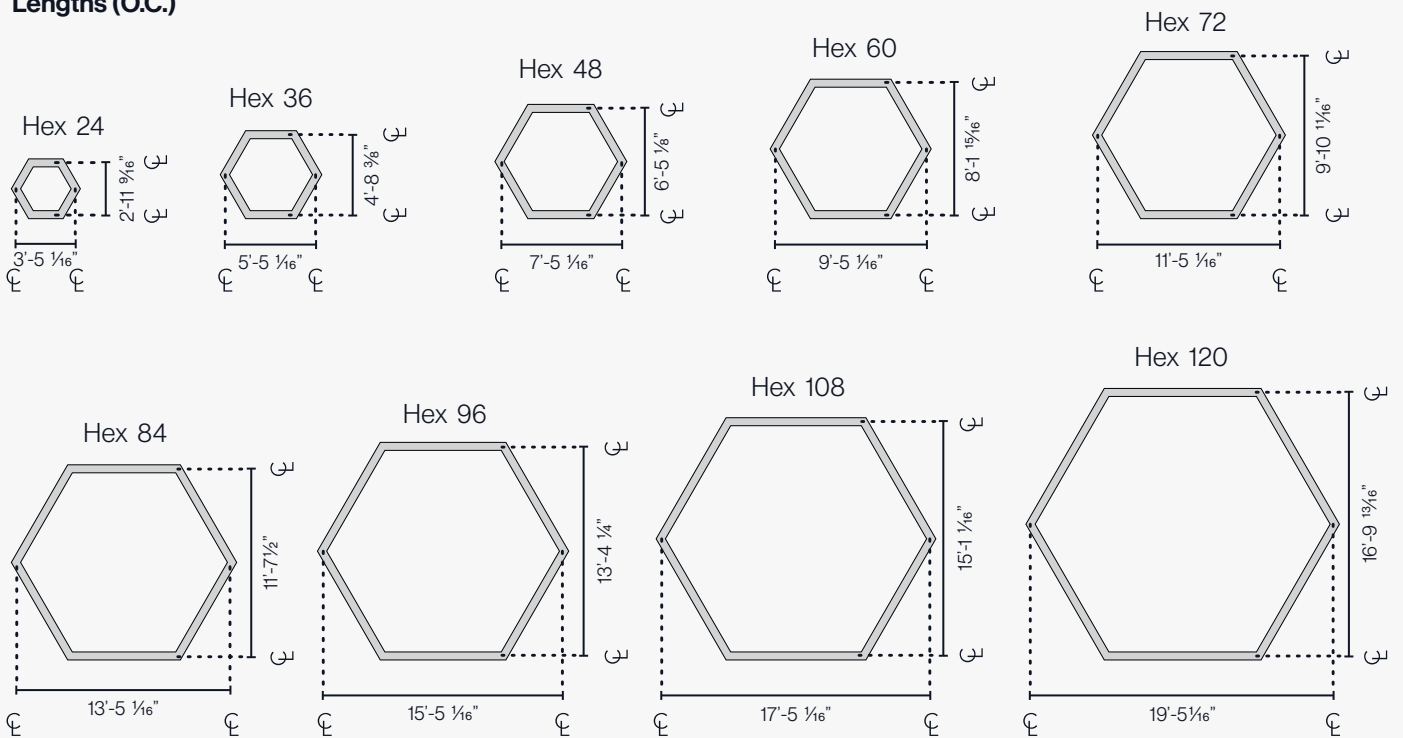
Depths



Widths



Lengths (O.C.)



Product	Width	Height
Hex 24	3"	4"
Hex 36	3"	6"
Hex 48		
Hex 60	3"	10"
Hex 72		
Hex 84	4"	6"
Hex 96		
Hex 108	4"	10"
Hex 120		

1 Understanding the System

Dimensions

Name	Width	Height	Length 1	Length 2
Hex 24 - 3x4x44	3"	4"	3'-9 9/16"	3'-3 1/2"
Hex 24 - 3x6x44	3"	6"	3'-9 9/16"	3'-3 1/2"
Hex 24 - 3x10x44	3"	10"	3'-9 9/16"	3'-3 1/2"
Hex 24 - 4x6x45	4"	6"	3'-9 9/16"	3'-3 1/2"
Hex 24 - 4x10x45	4"	10"	3'-9 9/16"	3'-3 1/2"
Hex 36 - 3x4x68	3"	4"	5'-9 9/16"	5'-0 1/4"
Hex 36 - 3x6x68	3"	6"	5'-9 9/16"	5'-0 1/4"
Hex 36 - 3x10x68	3"	10"	5'-9 9/16"	5'-0 1/4"
Hex 36 - 4x6x69	4"	6"	5'-9 9/16"	5'-0 1/4"
Hex 36 - 4x10x69	4"	10"	5'-9 9/16"	5'-0 1/4"
Hex 48 - 3x4x92	3"	4"	7'-9 9/16"	6'-9 1/16"
Hex 48 - 3x6x92	3"	6"	7'-9 9/16"	6'-9 1/16"
Hex 48 - 3x10x92	3"	10"	7'-9 9/16"	6'-9 1/16"
Hex 48 - 4x6x93	4"	6"	7'-9 9/16"	6'-9 1/16"
Hex 48 - 4x10x93	4"	10"	7'-9 9/16"	6'-9 1/16"
Hex 60 - 3x4x116	3"	4"	9'-9 9/16"	8'-5 13/16"
Hex 60 - 3x6x116	3"	6"	9'-9 9/16"	8'-5 13/16"
Hex 60 - 3x10x116	3"	10"	9'-9 9/16"	8'-5 13/16"
Hex 60 - 4x6x117	4"	6"	9'-9 9/16"	8'-5 13/16"
Hex 60 - 4x10x117	4"	10"	9'-9 9/16"	8'-5 13/16"
Hex 72 - 3x4x140	3"	4"	11'-9 9/16"	10'-2 5/8"
Hex 72 - 3x6x140	3"	6"	11'-9 9/16"	10'-2 5/8"
Hex 72 - 3x10x140	3"	10"	11'-9 9/16"	10'-2 5/8"
Hex 72 - 4x6x141	4"	6"	11'-9 9/16"	10'-2 5/8"
Hex 72 - 4x10x141	4"	10"	11'-9 9/16"	10'-2 5/8"

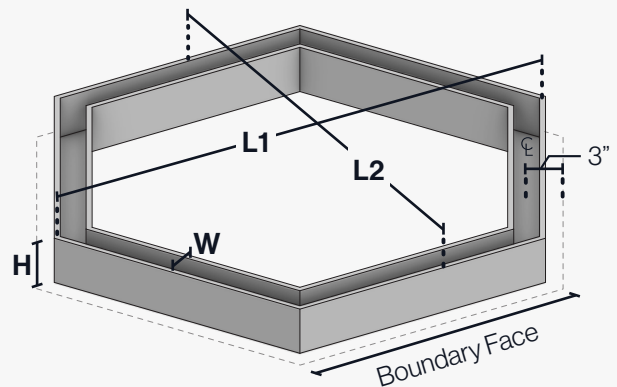
Name	Width	Height	Length 1	Length 2
Hex 84 - 3x4x164	3"	4"	13'-9 9/16"	11'-11 3/8"
Hex 84 - 3x6x164	3"	6"	13'-9 9/16"	11'-11 3/8"
Hex 84 - 3x10x164	3"	10"	13'-9 9/16"	11'-11 3/8"
Hex 84 - 4x6x165	4"	6"	13'-9 9/16"	11'-11 3/8"
Hex 84 - 4x10x165	4"	10"	13'-9 9/16"	11'-11 3/8"
Hex 96 - 3x4x188	3"	4"	15'-9 9/16"	13'-8 3/16"
Hex 96 - 3x6x188	3"	6"	15'-9 9/16"	13'-8 3/16"
Hex 96 - 3x10x188	3"	10"	15'-9 9/16"	13'-8 3/16"
Hex 96 - 4x6x189	4"	6"	15'-9 9/16"	13'-8 3/16"
Hex 96 - 4x10x189	4"	10"	15'-9 9/16"	13'-8 3/16"
Hex 108 - 3x4x212	3"	4"	17'-9 9/16"	15'-4 15/16"
Hex 108 - 3x6x212	3"	6"	17'-9 9/16"	15'-4 15/16"
Hex 108 - 3x10x212	3"	10"	17'-9 9/16"	15'-4 15/16"
Hex 108 - 4x6x213	4"	6"	17'-9 9/16"	15'-4 15/16"
Hex 108 - 4x10x213	4"	10"	17'-9 9/16"	15'-4 15/16"
Hex 120 - 3x4x236	3"	4"	19'-9 9/16"	17'-1 3/4"
Hex 120 - 3x6x236	3"	6"	19'-9 9/16"	17'-1 3/4"
Hex 120 - 3x10x236	3"	10"	19'-9 9/16"	17'-1 3/4"
Hex 120 - 4x6x237	4"	6"	19'-9 9/16"	17'-1 3/4"
Hex 120 - 4x10x237	4"	10"	19'-9 9/16"	17'-1 3/4"

Legend - Dimensions in inches

Hex 24 - 3 x 4 x 44



Length 2 (L2)
---- Boundary



i Please Note: Approximately 3" from the ζ to the outside Boundary Face of the product, regardless of the width. Refer to the installation manual for more info.

1 Understanding the System

Dimensions

 Hex 24 - 3x4x44	 Hex 36 - 3x4x68	 Hex 48 - 3x4x92	 Hex 60 - 3x4x116	 Hex 72 - 3x4x140
 Hex 24 - 3x6x44	 Hex 36 - 3x6x68	 Hex 48 - 3x6x92	 Hex 60 - 3x6x116	 Hex 72 - 3x6x140
 Hex 24 - 3x10x44	 Hex 36 - 3x10x68	 Hex 48 - 3x10x92	 Hex 60 - 3x10x116	 Hex 72 - 3x10x140
 Hex 24 - 4x6x45	 Hex 36 - 4x6x69	 Hex 48 - 4x6x93	 Hex 60 - 4x6x117	 Hex 72 - 4x6x141
 Hex 24 - 4x10x45	 Hex 36 - 4x10x69	 Hex 48 - 4x10x93	 Hex 60 - 4x10x117	 Hex 72 - 4x10x141

① Understanding the System

Dimensions

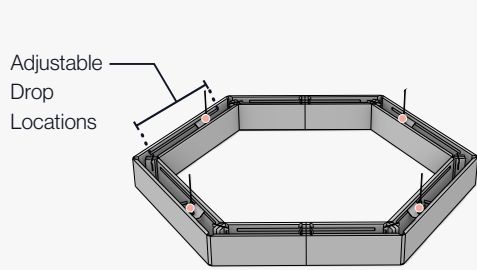
 Hex 84 - 3x4x164	 Hex 96 - 3x4x188	 Hex 108 - 3x4x212	 Hex 120 - 3x4x236
 Hex 84 - 3x6x164	 Hex 96 - 3x6x188	 Hex 108 - 3x6x212	 Hex 120 - 3x6x236
 Hex 84 - 3x10x164	 Hex 96 - 3x10x188	 Hex 108 - 3x10x212	 Hex 120 - 3x10x236
 Hex 84 - 4x6x165	 Hex 96 - 4x6x189	 Hex 108 - 4x6x213	 Hex 120 - 4x6x237
 Hex 84 - 4x10x165	 Hex 96 - 4x10x189	 Hex 108 - 4x10x213	 Hex 120 - 4x10x237

1 Understanding the System

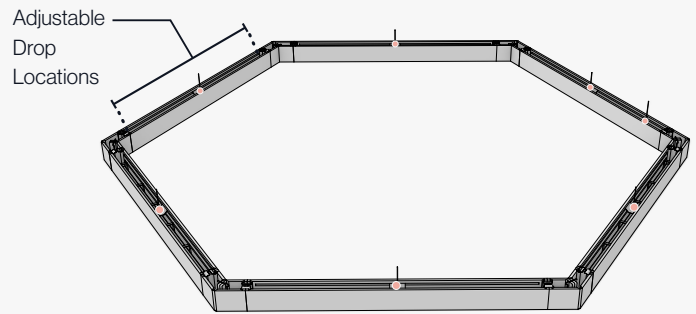
Attachment Details

SoftShapes™ modules feature adjustable drop locations on each side of the system, allowing it to adapt to various installation conditions.

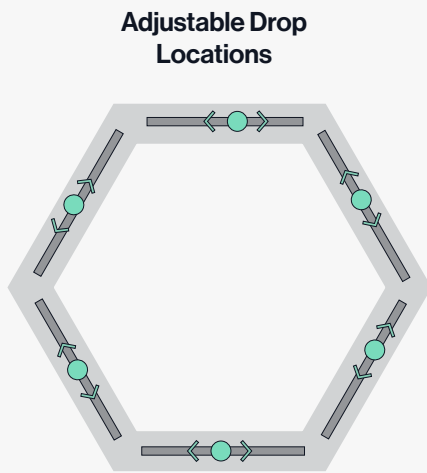
⚠ Recommended Drop Points



Modules smaller than 54" need 4 drop points.
(SoftShapes™ Hex 24 shown.)

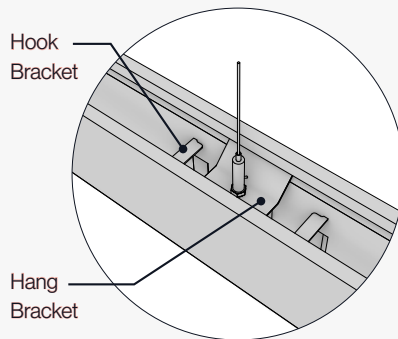


Modules bigger than 54" need 12 drop points.
(SoftShapes™ Hex 60 shown.)

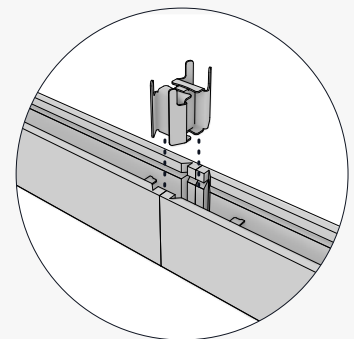


Check install manual for more info.

Hanging Bracket Attachment



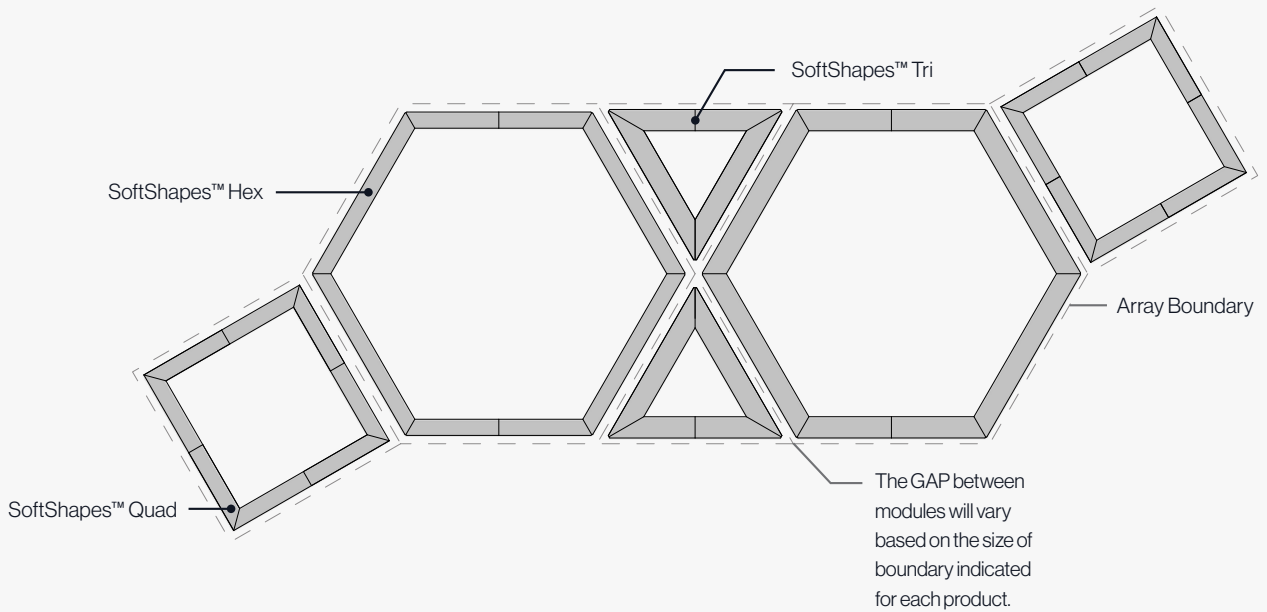
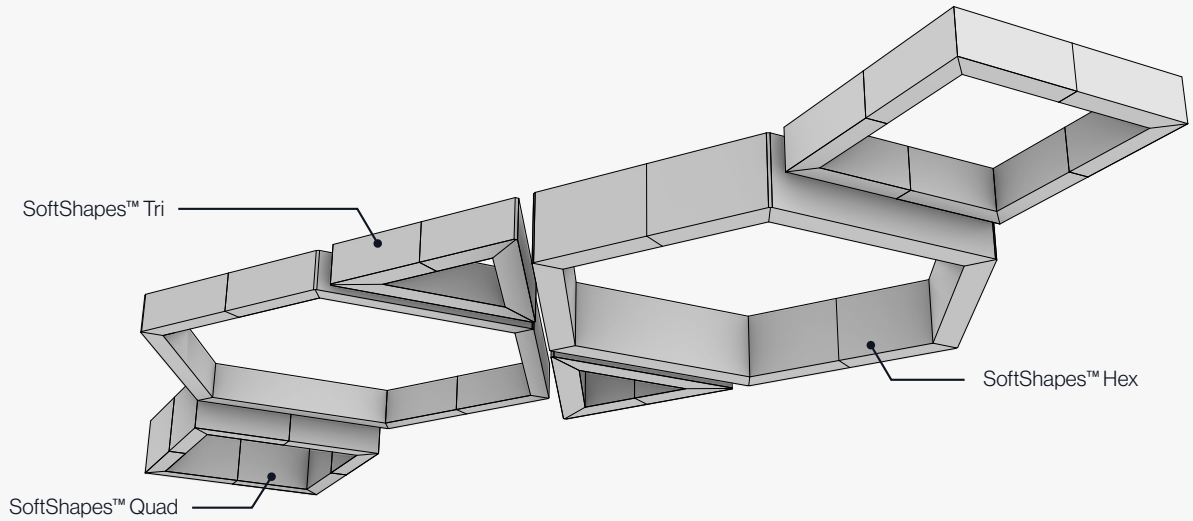
Joiner Bracket



1 Understanding the System

Combining With Other SoftShapes™

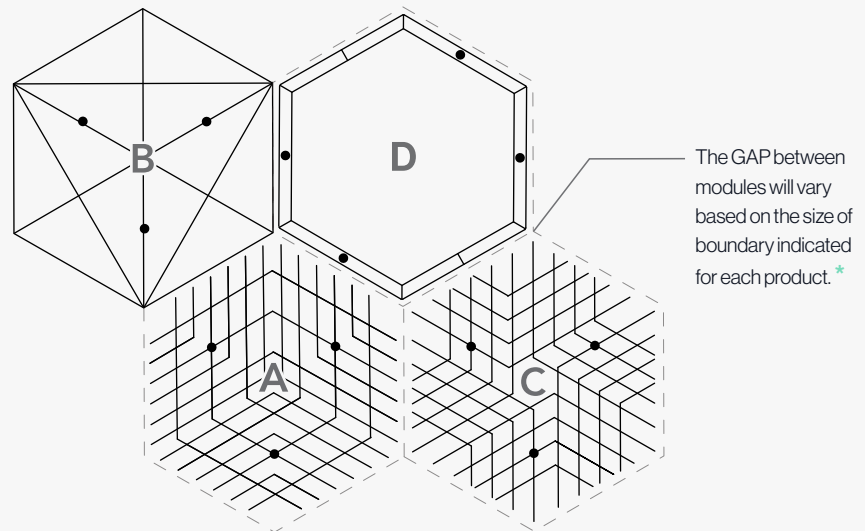
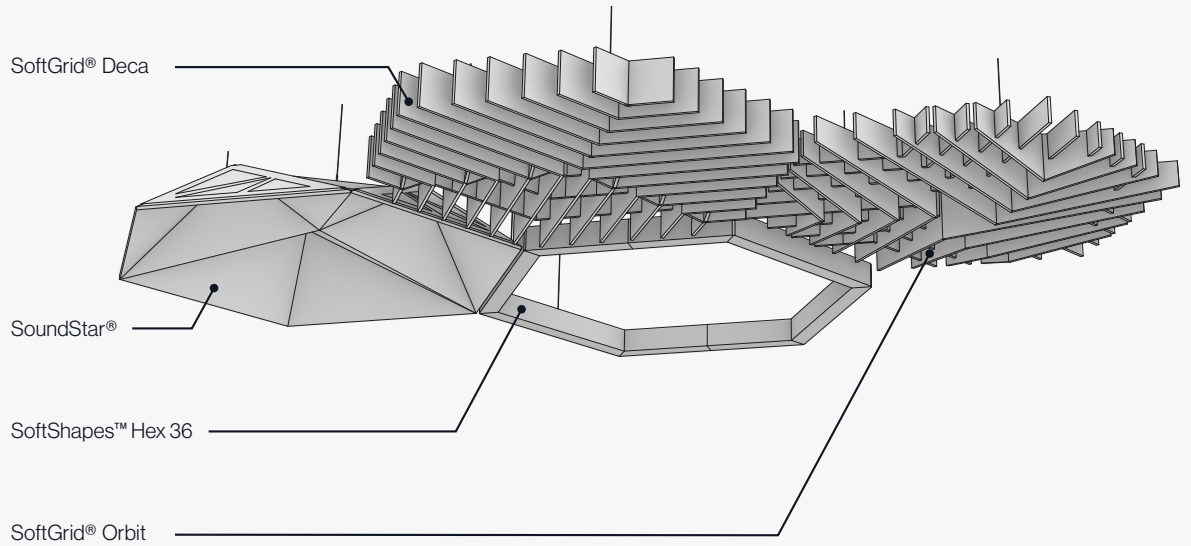
Install SoftShapes™ in tandem with similar sized SoftShapes™ systems to create one-of-a-kind combined geometric layouts.



1 Understanding the System

Combining With Other Products

SoftShapes™ Hex can also be installed in tandem with other hexagonal cloud systems, such as SoftGrid® Deca, SoftGrid® Orbit, SoftGrid® Flux, and SoundStar® for even more acoustic design possibilities.



- SoftGrid® Orbit (A)
- SoundStar® (B)
- SoftGrid® Deca (C)
- SoftShapes™ Hex 36 (D)

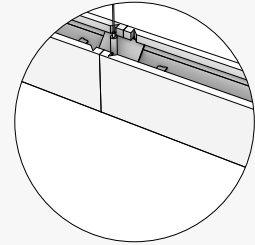
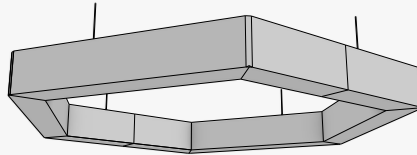
* To combine SoftShapes™ with other products please contact your Arktura Rep. to request Product Installation Manuals

① Understanding the System

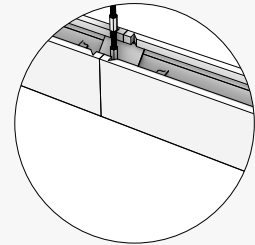
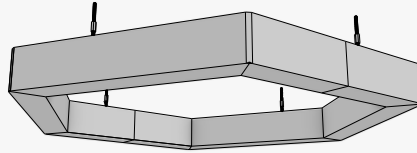
Multiple Attachment Options

In addition to adjustable drop locations, SoftShapes™ also offers the flexibility of five different attachment options, including Direct Mount for both Wall and Ceiling applications.

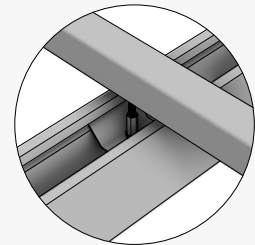
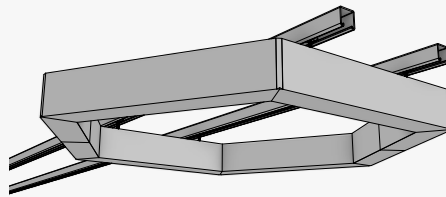
Cable Hung



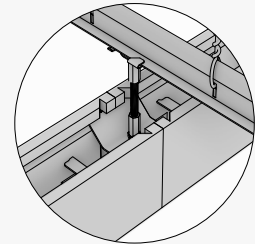
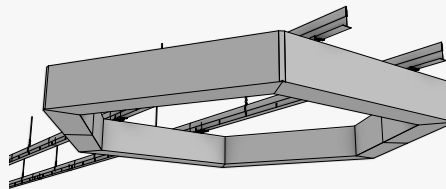
All Thread



Strut Mount

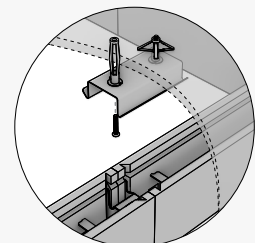
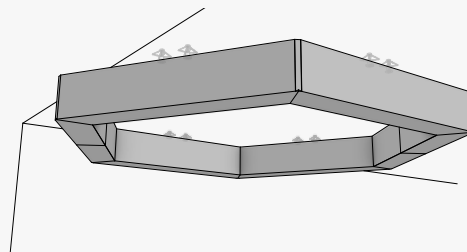


Grid Mount



Direct Mount

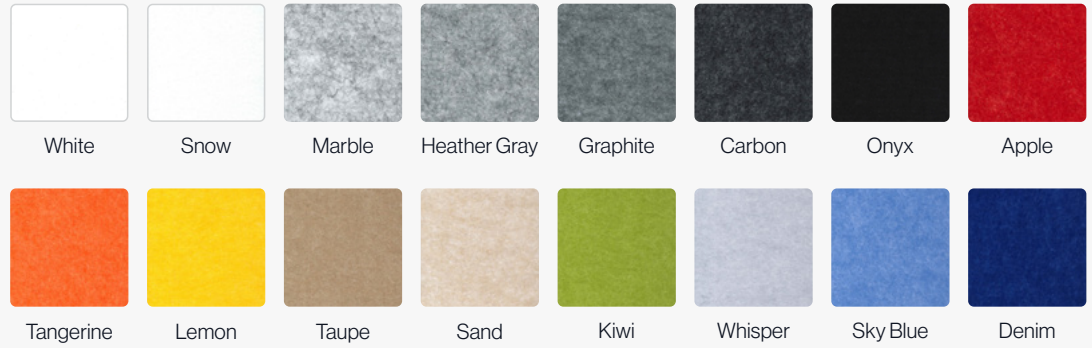
Available in both wall & ceiling attachment.



2 Available Finishes

Baffle Color

Soft Sound® Color Group A Standard

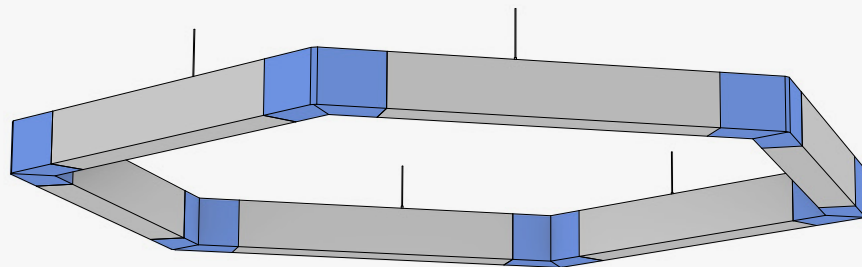


Soft Sound® Wood Texture Premium



i As with natural wood, variation in color and grain is expected and grain will not align across panels.

! Modules may be comprised of Multiple Segments. Seams may be subtle in appearance due to the natural variation in wood texture.



Seaming Detail

! Due to the nature of non-woven materials, light may pass through Soft Sound® in any thickness or color. A translucent appearance is most apparent in lighter colors and thin material when a light source is present behind the material. Arktura makes no claims or warranties about the material performing as opaque in any circumstance.

3 Product Specifications & Certifications

System Specs

Dimensions	Widths	Heights	Lengths
	3"	4", 6" & 10"	18", 30", 42", 54", 66", 78", 90", 102", 114"
	4"	6" & 10"	18", 30", 42", 54", 66", 78", 90", 102", 114"
Material	12mm Soft Sound® (PET)		
Fire Rating	ASTM E84 - Class A		
Attachment Method	Cable Hung, All Thread, Strout Mount, Grid Mount, Direct Mount		
Accessibility	Yes, quick release cables*		

* Various accessibility options available by Attachment Method. Please refer to installation manual for specifics and contact a Rep.

Product Line

Design Options

SoftShapes™ offers a library of pre-configured options. Soft Sound® is attached to the aluminum torsion panel face to create visual interest while simultaneously providing acoustic noise reduction.



SOFTSHAPES™ TRI



SOFTSHAPES™ QUAD



SOFTSHAPES™ HEX