
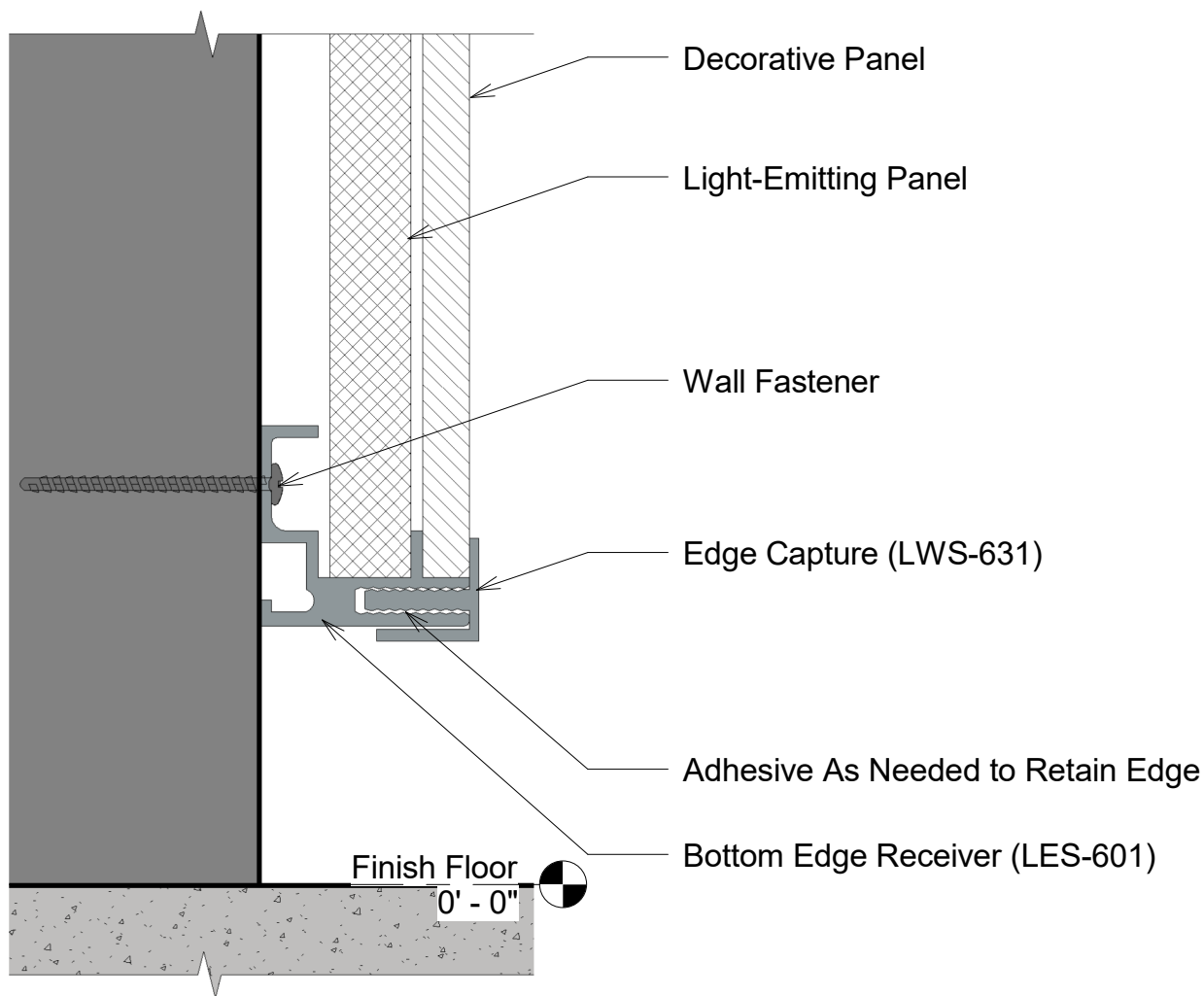
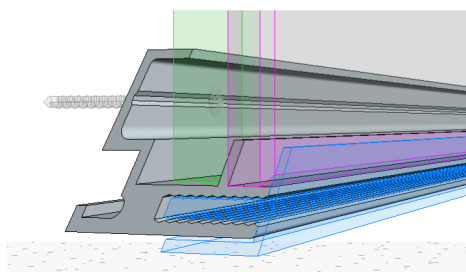


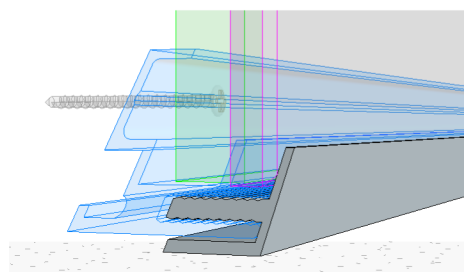
Title:		View:	Date:	 Wall Panel System, Inc. Tel: 877-333-4WPS support@wallpanelsystems.net Web: www.wallpanelsystems.net © 2016 Wall Panel Systems Inc.
Installation Instruction 3-D Model		3D	05/18/17	
Detail:	System Type:	Scale:	Drawn By:	
0	Light Panel System	N/A	WPS, Inc.	




1 Section A
12" = 1'-0"

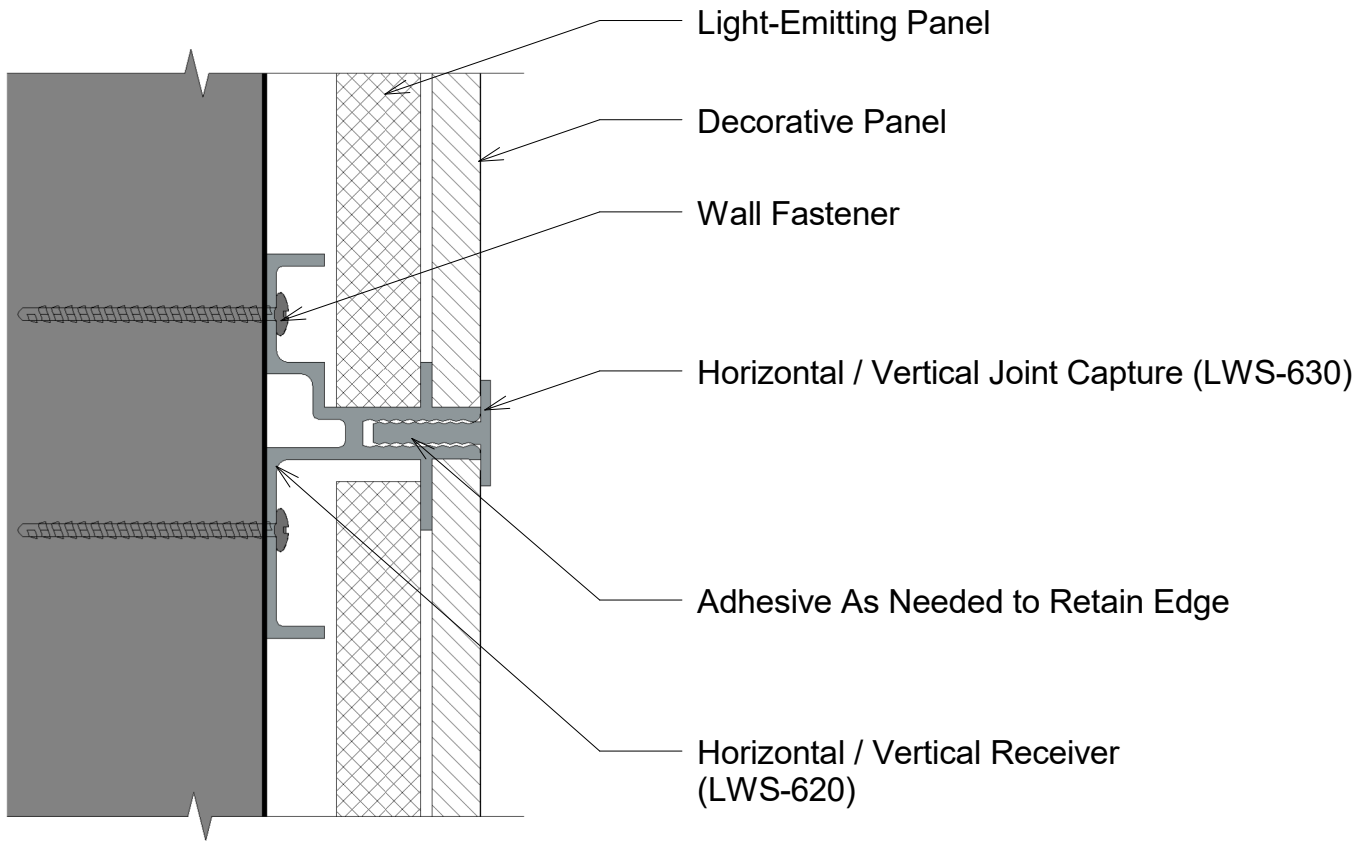


2 LWS-601 (A)
Bottom Edge Receiver

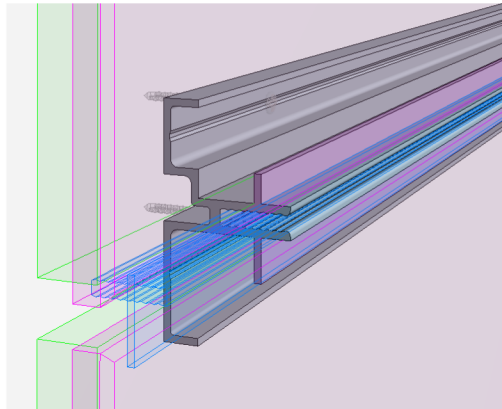


3 LWS-631 (A)
Edge Capture

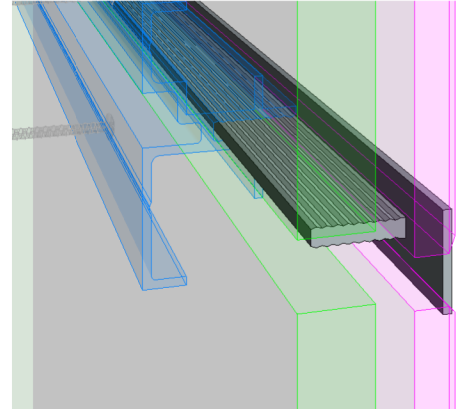
Title: Bottom Edge Trim		View: Section	Date: 05/18/17	 Wall Panel Systems, Inc. Tel: 877-333-4WPS support@wallpanelsystems.net Web: www.wallpanelsystems.net © 2016 Wall Panel Systems Inc.
Detail: A	System Type: Light Panel System	Scale: Full	Draw By: WPS, Inc.	




1 Section B
12" = 1'-0"

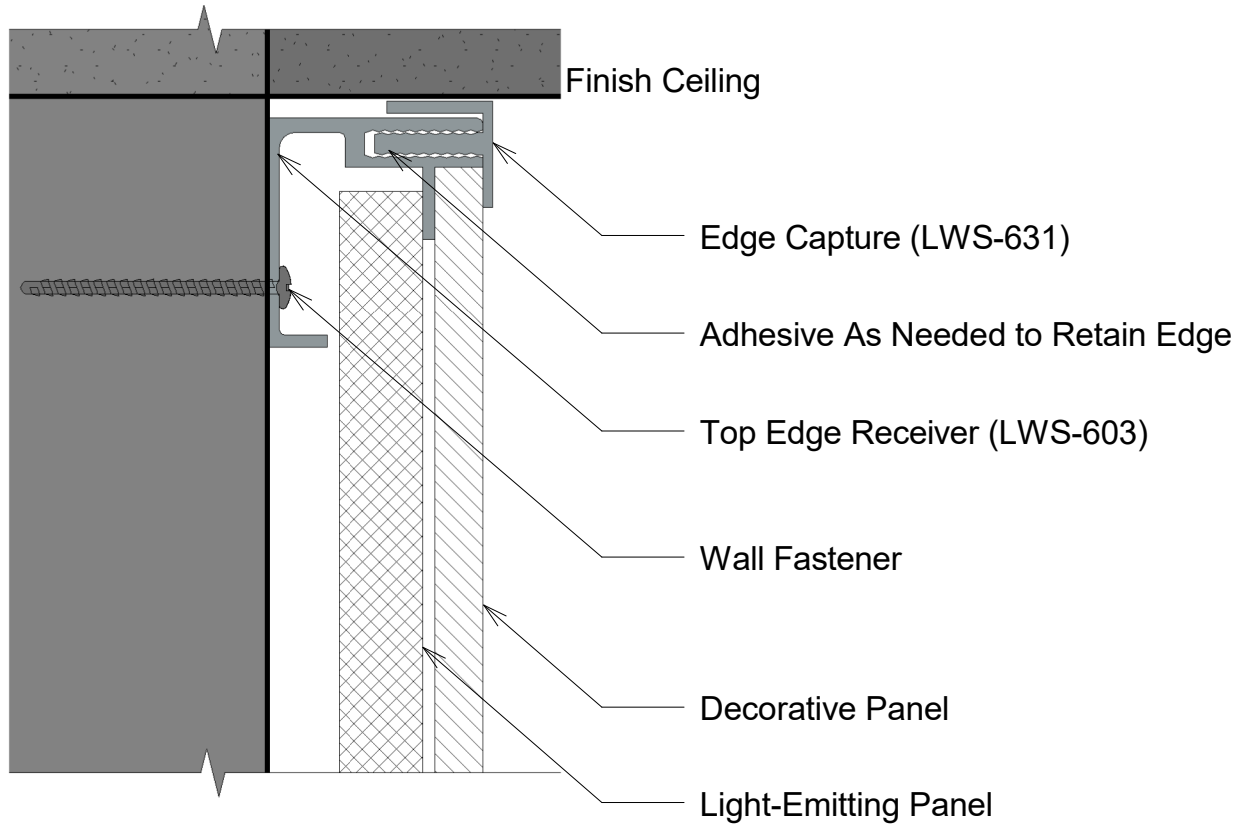


2 LWS-620 (B)
Horizontal / Vertical Receiver

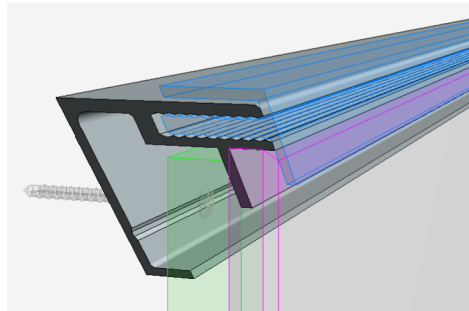


3 LWS-630 (B)
Field Capture

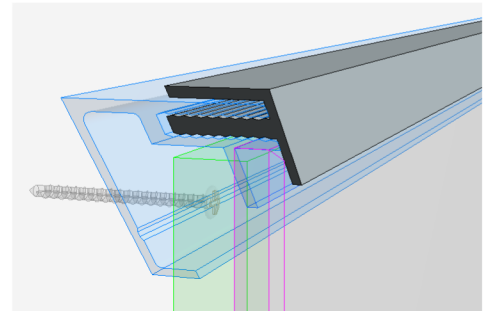
Title: Horizontal Joint		View: Section	Date: 05/18/17	 Wall Panel Systems, Inc. Tel: 877-333-4WPS support@wallpanelsystems.net Web: www.wallpanelsystems.net © 2016 Wall Panel Systems Inc.
Detail: B	System Type: Light Panel System	Scale: Full	Draw By: WPS, Inc.	




1 Section C
12" = 1'-0"

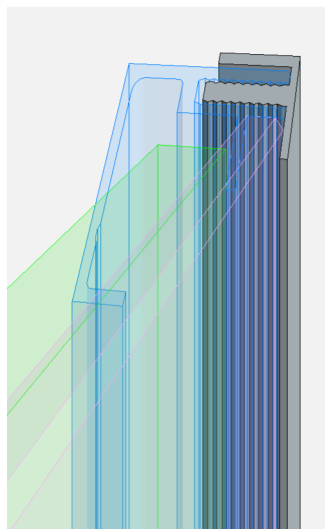
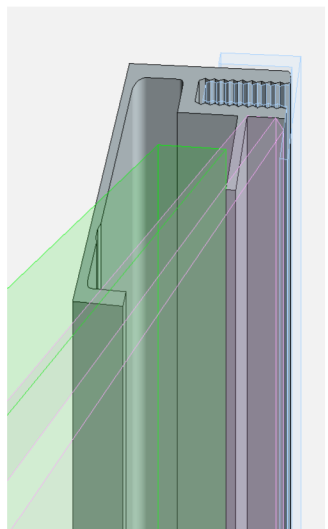
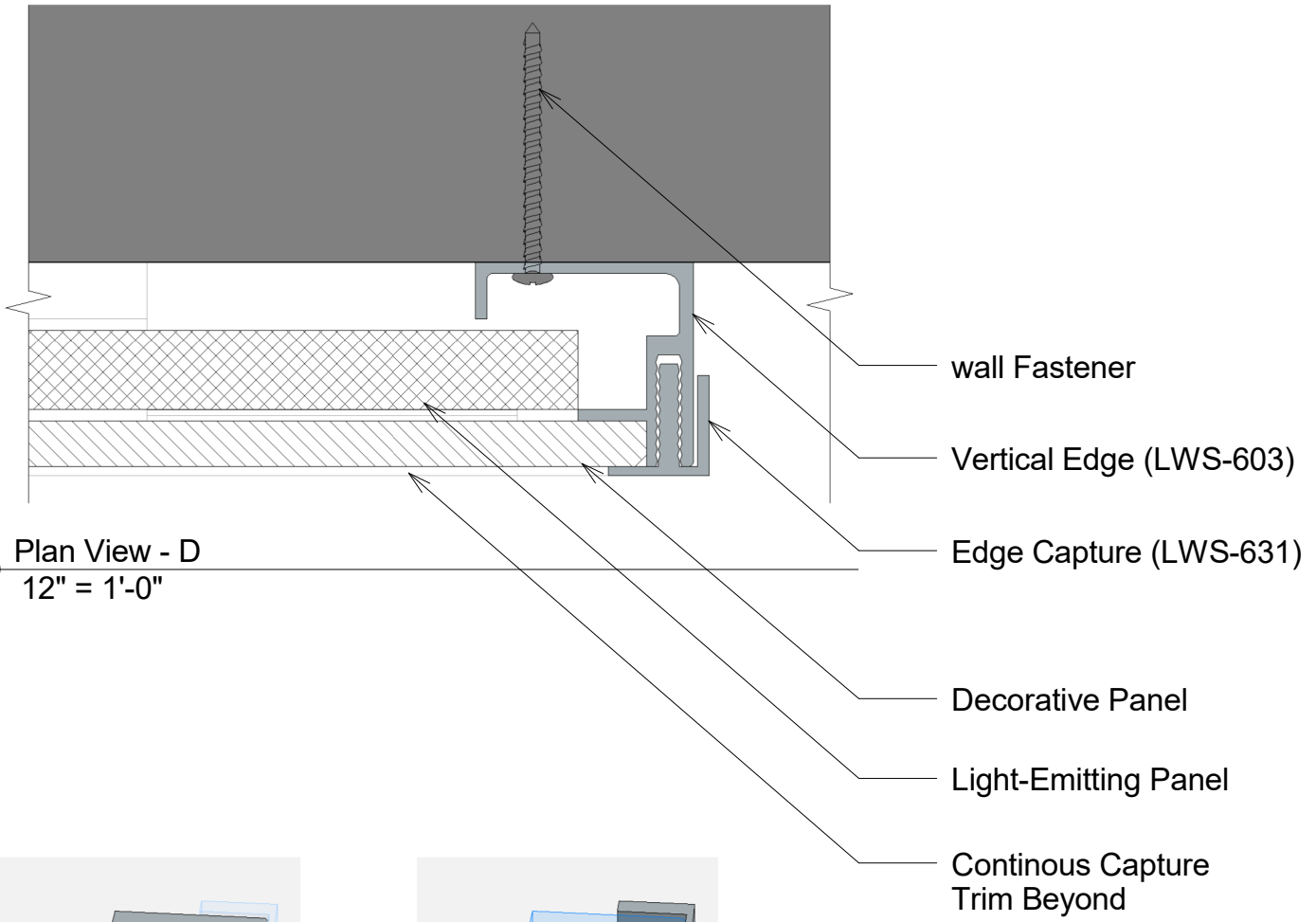


2 LWS-603 (C)
Horizontal / Vertical Receiver




3 LWS-631 (C)
Edge Capture

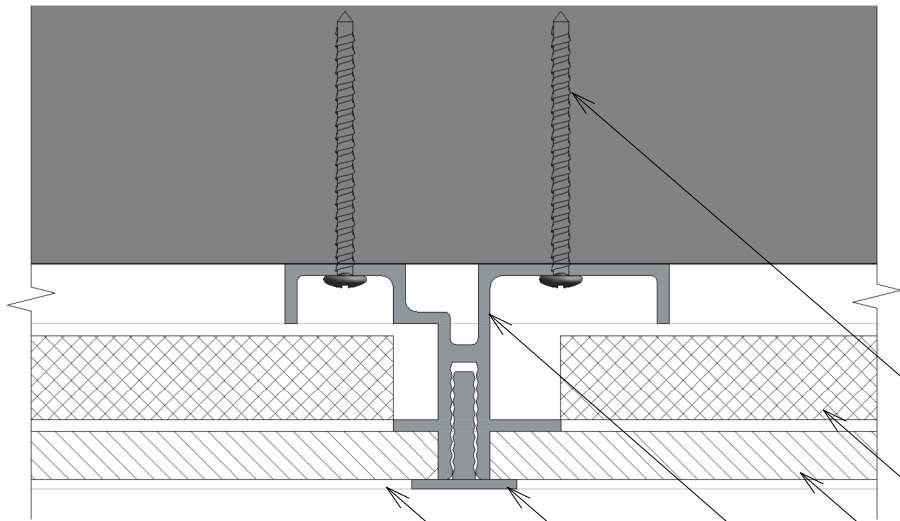
Title: Top & Vertical Edge Trim		View: Section	Date: 05/18/17	 Wall Panel Systems, Inc. Tel: 877-333-4WPS support@wallpanelsystems.net Web: www.wallpanelsystems.net © 2016 Wall Panel Systems Inc.
Detail: C	System Type: Light Panel System	Scale: Full	Draw By: WPS, Inc.	



② LWS-603 (D)
Vertical Edge

③ LWS-631 (D)
Edge Capture

Title: Vertical Edge Trim		View: Plan	Date: 05/18/17	 Wall Panel Systems, Inc. Tel: 877-333-4WPS support@wallpanelsystems.net Web: www.wallpanelsystems.net © 2016 Wall Panel Systems Inc.
Detail: D	System Type: Light Panel System	Scale: Full	Draw By: WPS, Inc.	



1 Plan View - E
12" = 1'-0"

Wall Fastener

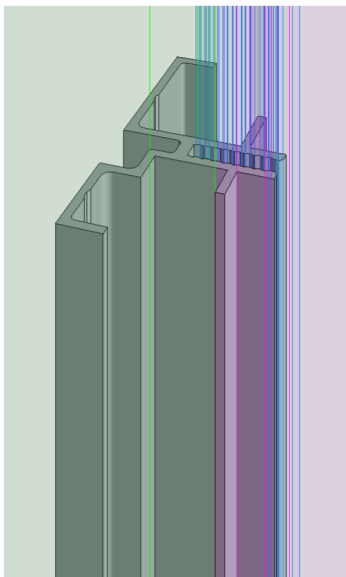
Light-Emitting Panel

Decorative Panel

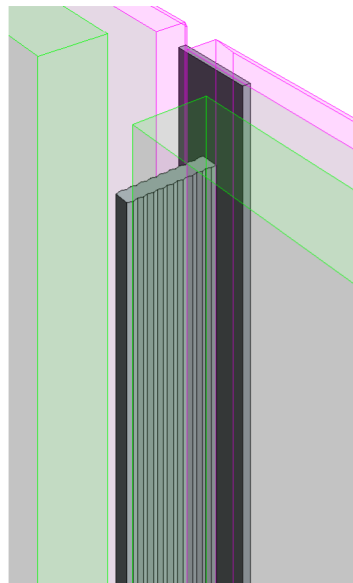
Horizontal / Vertical Receiver (LWS-620)

Horizontal / Vertical Joint Capture (LWS-630)


Continuous Capture Trim Beyond

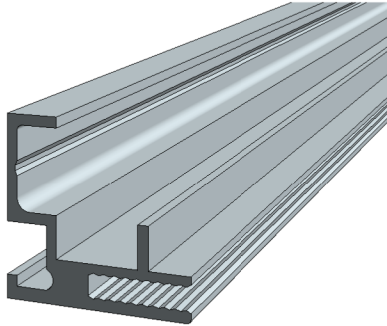


2 LWS-620 (E)
Horizontal / Vertical Receiver

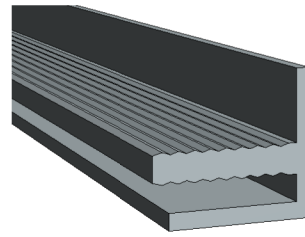


3 LWS-630 (E)
Vertical Capture

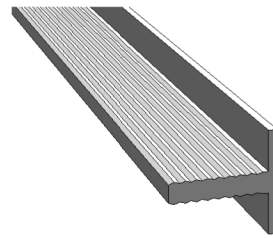
Title: Vertical Joint		View: Plan	Date: 05/18/17	 Wall Panel Systems, Inc. Tel: 877-333-4WPS support@wallpanelsystems.net Web: www.wallpanelsystems.net © 2016 Wall Panel Systems Inc.
Detail: E	System Type: Light Panel System	Scale: Full	Draw By: WPS, Inc.	



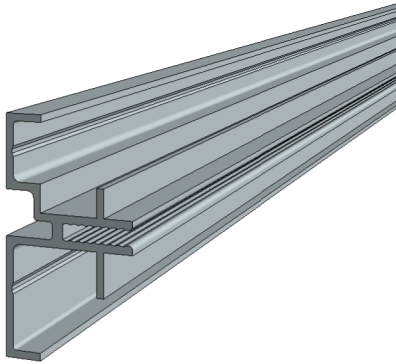
① LWS-601 (U)
Bottom Edge Receiver



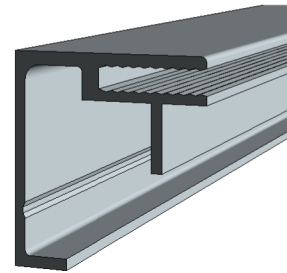
③ LWS-631 (U)
Edge Capture




④ LWS-630 (U)
Horizontal / Vertical Capture



② LWS-620 (U)
Horizontal / Vertical Receiver



⑤ LWS-603 (U)
Horizontal / Vertical Receiver

Title: Parts List		View: 3D	Date: 05/18/17	 Wall Panel Systems, Inc. Tel: 877-333-4WPS support@wallpanelsystems.net Web: www.wallpanelsystems.net © 2016 Wall Panel Systems Inc.
Detail: U	System Type: Light Panel System	Scale: N/A	Draw By: WPS, Inc.	