



Polyamide conduit system

APPLICATION SECTORS



Railway and rail transport



Infrastructures



Naval sector and maritime transport



Renewable energies and green building



Food and beverage



Industrial and logistic plants



Commercial and service industry



Automation and robotics



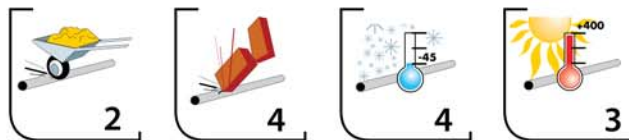
LGP STANDARD CONDUIT



Flexible corrugated conduit made of high quality, halogen free and flame retardant polyamide. Suitable for most applications combining an high flexibility with good mechanical and thermal performances. Ideal for static and dynamic applications, it's the appropriate solution for energy or signal distribution.



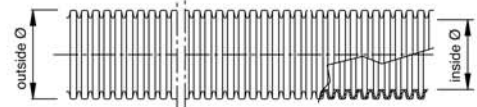
Material:	PA6.6 [UL94-V2] halogen free and flame retardant
Temperature:	-25°C +105°C
Classification:	2 4 4 3 2 2 2 3 for Item 6664 00/08/09
Heat resistance:	750°C (glow wire test)
Self-extinguishing:	Flame retardant
IP Protection index:	IP66 with LGP connectors IP68 with LGP connectors and gaskets
UL file:	No. E111325



CHEMICALS	RESISTANCE		
	LOW	MEDIUM	HIGH
Unleaded petrol			●
Industrial detergent		●	
Diesel oil		●	
Lubricant oil			●
Emulsifying solution			●
Washing solvent		●	

NOTE: for installation in environments with particular chemical or corrosive substances, contact LEGRAND technical support.

LGP STANDARD



Item

LGP STANDARD CONDUIT

Item	Diameter (mm)			Quantity (m)
	Nominal	Inside	Outside	
Grey				
6664 00	7	7	10	50
6664 01	10	10	13	50
6664 02	12	12	16	50
6664 03	17	17	21	50
6664 04	23	22	29	50
6664 05	29	28	35	25
6664 06	36	35	43	25
6664 07	48	47	55	25

Item	Diameter (mm)			Quantity (m)
	Nominal	Inside	Outside	
Black				
6664 08	7	7	10	50
6664 09	8	8	12	50
6664 10	10	10	13	50
6664 11	12	12	16	50
6664 12	15	15	20	50
6664 13	17	17	21	50
6664 14	19	19	25	50
6664 15	23	22.5	29	50
6664 16	25	25	32	25
6664 17	29	28	35	25
6664 18	33	33	40	25
6664 19	36	35	43	25
6664 20	42	42	50	25
6664 21	48	47	55	25



Compliant to IEC 61386 - Conduits and accessories systems for electrical connections and cable management

NOTE: magenta codes = ISO metric diameters according to IEC 60423

LGP HEAVY CONDUIT



UV resistant

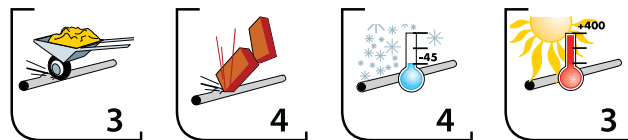


6664 26

Flexible corrugated heavy conduit made of high quality, halogen free and flame retardant polyamide. Suitable for heavy applications where are required mechanical and thermal performances and resistance to stress, shocks or vibrations. Ideal for static applications, it's the ideal compromise between flexibility and resistance.



Material:	PA6.6 [UL94-V2] halogen free and flame retardant
Temperature:	-25°C +105°C
Classification:	3 4 4 3 3 1 4 3 for item 666422 3 2 4 3 for item 666423
Heat resistance:	750°C (glow wire test)
Self-extinguishing:	Flame retardant
IP Protection index:	IP66 with LGP connectors IP68 with LGP connectors and gaskets
UL file:	No. E111325

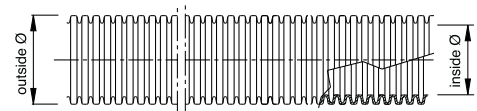


CHEMICALS	RESISTANCE		
	LOW	MEDIUM	HIGH
Unleaded petrol			●
Industrial detergent		●	
Diesel oil		●	
Lubricant oil			●
Emulsifying solution			●
Washing solvent		●	

NOTE: for installation in environments with particular chemical or corrosive substances, contact LEGRAND technical support.

NOTE: magenta codes = ISO metric diameters according to IEC 60423

LGP HEAVY



Item	LGP HEAVY CONDUIT			Quantity (m)
	Nominal	Diameter (mm)		
Black		Inside	Outside	
6664 22	7	7	10	50
6664 23	8	8	12	50
6664 24	12	12	16	50
6664 25	15	15	20	50
6664 26	19	19	25	50
6664 27	25	25	32	25
6664 28	33	33	40	25
6664 29	42	42	50	25

LAPI Compliant to CEN TS 45545 – Risk level HL2 (except D7 and D8)
Compliant to UNI CEI 11170 – Risk level LR4
Compliant to NF F 16-101/102 – Smoke emissions F2
Additional extension: compliant to NF F 16-101/102 – Smoke emissions F1

LGP ROBOTIC CONDUIT



UV resistant



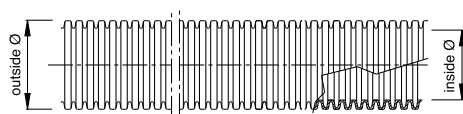
6664 34

Flexible corrugated conduit made of high quality, halogen free and flame retardant polyamide. Suitable for applications where are required high flexibility and resistance to high cadence handling cycles. Ideal for dynamic applications, it's the ideal solution for automation and industrial processes.



Material:	PA12 [UL94-V2] halogen free and flame retardant
Temperature:	-45° C +90° C
Classification:	1 4 5 2 1 1 4 2 for 666430 conduits 1 4 5 2 for 666431 conduits
Heat resistance:	750°C (glow wire test)
Self-extinguishing:	Flame retardant
IP Protection index:	IP66 with LGP connectors IP68 with LGP connectors and gasket

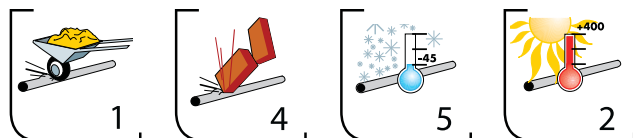
LGP FOR ROBOTIC INSTALLATIONS



Item

LGP CONDUIT FOR ROBOTIC INSTALLATIONS

Item	Diameter (mm)			Quantity (m)
	Nominal	Inside	Outside	
Black				
6664 30	7	7	10	50
6664 31	8	8	12	50
6664 32	12	12	16	50
6664 33	15	15	20	50
6664 34	19	19	25	50
6664 35	25	25	32	25
6664 36	33	33	40	25
6664 37	42	42	50	25



CHEMICALS	RESISTANCE		
	LOW	MEDIUM	HIGH
Unleaded petrol			●
Industrial detergent		●	
Diesel oil			●
Lubricant oil			●
Emulsifying solution			●
Washing solvent			●

NOTE: for installation in environments with particular chemical or corrosive substances, contact LEGRAND technical support.

NOTE: magenta codes = ISO metric diameters according to IEC 60423

LGP STEEL BRAIDED CONDUIT

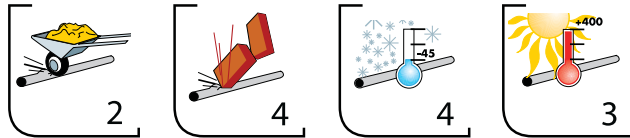


6664 42

Flexible corrugated conduit made of high quality, halogen free and flame retardant polyamide covered with steel braid. Suitable for all applications where are required high mechanical and thermal performances. Ideal for static applications for environments with process residues, sharp shavings, burrs, chips or sparks that could damage a conduit not covered.



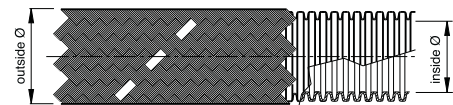
Material:	PA6.6 [UL94-V2] halogen free and flame retardant covered with galvanized steel braid
Temperature:	-25°C +105°C
Classification:	2 4 4 3
IP Protection index:	IP66 with LGP connectors IP68 with LGP connectors and gasket



CHEMICALS	RESISTANCE		
	LOW	MEDIUM	HIGH
Unleaded petrol			●
Industrial detergent		●	
Diesel oil		●	
Lubricant oil			●
Emulsifying solution			●
Washing solvent		●	

NOTE: for installation in environments with particular chemical or corrosive substances, contact LEGRAND technical support.

LGP STEEL BRAIDED



Item

LGP STEEL BRAIDED CONDUIT

Item	Diameter (mm)			Quantity (m)
	Nominal	Inside	Outside	
6664 38	7	7	10	50
6664 39	8	8	12	50
6664 40	10	10	13	50
6664 41	12	12	16	50
6664 42	15	15	20	50
6664 43	17	17	21	50
6664 44	19	19	25	50
6664 45	23	22.5	29	50
6664 46	25	25	32	25
6664 47	29	28	35	25
6664 48	33	33	40	25
6664 49	36	35	43	25
6664 50	42	42	50	25
6664 51	48	47	55	25

NOTE: magenta codes = ISO metric diameters according to IEC 60423

STRAIGHT LGP CONNECTORS PLASTIC THREAD



UV
resistant

PATENTED
SYSTEM



6664 76

Straight fixed male connector with plastic thread made of high quality, halogen free and flame retardant polyamide. It ensures high resistance to traction and torque and good mechanical and thermal performances. It's the ideal solution for static and dynamic applications and for most environments. With connectors and gaskets, it provides a protection index IP68.

Material:	PA6.6 [UL94-V0] halogen free and flame retardant
Temperature:	-45°C +105°C
Heat resistance:	850°C (glow wire test)
IP Protection index:	IP66 with LGP conduits IP68 with LGP conduits and gasket
UL file:	No. E111325



Compliant to IEC 61386 - Conduits and accessories systems for electrical connections and cable management



Compliant to CEN TS 45545 – Risk level HL2
Compliant to UNI CEI 11170 – Risk level LR4
Compliant to NF F 16-101/102 – Smoke emissions F2
Additional extension: compliant to NF F 16-101/102 – Smoke emissions F1

Item	ISO THREAD	Thread	Nominal diameter (mm)	Quantity (pcs)
	Black			
6664 68	⊕	M12	7	100
6664 69	⊕	M16	7	100
6664 70	⊕	M16	8	100
6664 71	⊕	M12	10	100
6664 72	⊕	M16	10	100
6664 73	⊕	M16	12	80
6664 74	⊕	M20	12	80
6664 75	⊕	M20	15	50
6664 76	⊕	M25	15	50
6664 77	⊕	M20	17	50
6664 78	⊕	M25	17	50
6664 79	⊕	M25	19	40
6664 80	⊕	M25	23	40
6664 81	⊕	M32	23	40
6664 82	⊕	M32	25	20
6664 83	⊕	M32	29	20
6664 84	⊕	M40	29	20
6664 85	⊕	M40	33	15
6664 86	⊕	M40	36	15
6664 87	⊕	M50	36	15
6664 88	⊕	M50	42	8
6664 89	⊕	M50	48	8
6664 90	⊕	M63	48	8

According to UNI 5542-65

Item	ISO THREAD	Thread	Nominal diameter (mm)	Quantity (pcs)
	Grey			
6664 52	⊕	M12	7	100
6664 53	⊕	M16	7	100
6664 54	⊕	M12	10	100
6664 55	⊕	M16	10	100
6664 56	⊕	M16	12	80
6664 57	⊕	M20	12	80
6664 58	⊕	M20	17	50
6664 59	⊕	M25	17	50
6664 60	⊕	M25	23	40
6664 61	⊕	M32	23	40
6664 62	⊕	M32	29	20
6664 63	⊕	M40	29	20
6664 64	⊕	M40	36	15
6664 65	⊕	M50	36	15
6664 66	⊕	M50	48	8
6664 67	⊕	M63	48	8

According to UNI 5542-65

Item	GAS THREAD	Thread	Nominal diameter (mm)	Quantity (pcs)
	Black			
6665 49	⊕	G1/4	7	100
6665 50	⊕	G3/8	7	100
6665 51	⊕	G1/4	10	100
6665 52	⊕	G3/8	10	100
6665 53	⊕	G3/8	12	80
6665 54	⊕	G1/2	12	80
6665 55	⊕	G1/2	17	50
6665 56	⊕	G3/4	17	50
6665 57	⊕	G3/4	23	40
6665 58	⊕	G1	23	40
6665 59	⊕	G1	29	20
6665 60	⊕	G1 1/4	29	20
6665 61	⊕	G1 1/4	36	15
6665 62	⊕	G1 1/2	36	15
6665 63	⊕	G1 1/2	48	8
6665 64	⊕	G2	48	8

According to UNI-ISO 228/1

NOTE: magenta codes = ISO metric diameters according to IEC 60423

STRAIGHT LGP CONNECTORS PLASTIC THREAD



UV
resistant

PATENTED
SYSTEM



6665 30

Straight fixed male connector with plastic thread made of high quality, halogen free and flame retardant polyamide. It ensures high resistance to traction and torque and good mechanical and thermal performances. It's the ideal solution for static and dynamic applications and for most environments. With connectors and gaskets, it provides a protection index IP68.

Material:	PA6.6 [UL94-V0] halogen free and flame retardant
Temperature:	-45°C +105°C
Heat resistance:	850°C (glow wire test)
IP Protection index:	IP66 with LGP conduits
	IP68 with LGP conduits and gasket
UL file:	No. E111325

Item	PG THREAD	Nominal diameter (mm)	Quantity (pcs)
Grey	Thread		
6664 91	PG7	7	100
6664 92	PG9	7	100
6664 93	PG11	7	100
6664 94	PG13.5	7	100
6664 95	PG7	10	100
6664 96	PG9	10	100
6664 97	PG11	10	100
6664 98	PG13.5	10	100
6664 99	PG9	12	80
6665 00	PG11	12	80
6665 01	PG13.5	12	80
6665 02	PG16	12	80
6665 03	PG11	17	50
6665 04	PG13.5	17	50
6665 05	PG16	17	50
6665 06	PG16	23	40
6665 07	PG21	23	40
6665 08	PG29	29	20
6665 09	PG36	29	20
6665 10	PG36	36	15
6665 11	PG42	36	15
6665 12	PG42	48	8
6665 13	PG48	48	8

According to DIN 40430

Item	PG THREAD	Nominal diameter (mm)	Quantity (pcs)
Black	Thread		
6665 14	PG7	7	100
6665 15	PG9	7	100
6665 16	PG11	7	100
6665 17	PG13.5	7	100
6665 18	PG7	8	100
6665 19	PG9	8	100
6665 20	PG11	8	100
6665 21	PG13.5	8	100
6665 22	PG7	10	100
6665 23	PG9	10	100
6665 24	PG11	10	100
6665 25	PG13.5	10	100
6665 26	PG9	12	80
6665 27	PG11	12	80
6665 28	PG13.5	12	80
6665 29	PG16	12	80
6665 30	PG13.5	15	50
6665 31	PG16	15	50
6665 32	PG11	17	50
6665 33	PG13.5	17	50
6665 34	PG16	17	50
6665 35	PG16	19	40
6665 36	PG21	19	40
6665 37	PG16	23	40
6665 38	PG21	23	40
6665 39	PG29	25	20
6665 40	PG29	29	20
6665 41	PG36	29	20
6665 42	PG36	33	15
6665 43	PG36	36	15
6665 44	PG42	36	15
6665 45	PG42	42	8
6665 46	PG48	42	8
6665 47	PG42	48	8
6665 48	PG48	48	8

According to DIN 40430

NOTE: magenta codes = ISO metric diameters according to IEC 60423

90° SHARP EDGE LGP CONNECTORS PLASTIC THREAD



UV
resistant

PATENTED
SYSTEM



6665 70

90° sharp edge fixed male connector with plastic thread made of high quality, halogen free and flame retardant polyamide. It ensures high resistance to traction and torque and good mechanical and thermal performances. It's the ideal solution for static and dynamic applications and for most environments. With connectors and gaskets, it provides a protection index IP68.

Material:	PA6.6 [UL94-V0] halogen free and flame retardant
Temperature:	-45°C +105°C
Heat resistance:	850°C (glow wire test)
IP Protection index:	IP66 with LGP conduits IP68 with LGP conduits and gasket
UL file:	No. E111325



Compliant to IEC 61386 - Conduits and accessories systems for electrical connections and cable management



Compliant to CEN TS 45545 – Risk level HL2
Compliant to UNI CEI 11170 – Risk level LR4
Compliant to NF F 16-101/102 – Smoke emissions F2
Additional extension: compliant to NF F 16-101/102 – Smoke emissions F1

Item	PG THREAD	Thread	Nominal diameter (mm)	Quantity (pcs)
Black		Thread		
6665 77		PG7	7	100
6665 78		PG7	8	80
6665 79		PG9	8	80
6665 80		PG9	10	80
6665 81		PG13.5	10	80
6665 82	RL	PG11	12	50
6665 83	RL	PG13.5	12	50
6665 84	RL	PG13.5	15	40
6665 85	RL	PG16	15	40
6665 86	RL	PG13.5	17	40
6665 87	RL	PG16	17	40
6665 88	RL	PG16	19	20
6665 89	RL	PG21	19	20
6665 90	RL	PG21	23	20
6665 91	RL	PG29	25	15
6665 92	RL	PG29	29	15

According to DIN 40430

Item	ISO THREAD	Thread	Nominal diameter (mm)	Quantity (pcs)
Black		Thread		
6665 65	+	M12	7	100
6665 66	+	M16	8	80
6665 67	+	M16	10	80
6665 68	+	M16	12	50
6665 69	RL	M20	12	50
6665 70	RL	M20	15	40
6665 71	RL	M25	15	40
6665 72	RL	M20	17	40
6665 73	RL	M25	19	20
6665 74	RL	M25	23	20
6665 75	RL	M32	25	15
6665 76	RL	M32	29	15

According to UNI 5542-65

Item	GAS THREAD	Thread	Nominal diameter (mm)	Quantity (pcs)
Black		Thread		
6665 93		G3/8	10	80
6665 94	RL	G1/2	17	40
6665 95	RL	G3/4	23	20
6665 96	RL	G1	29	15

According to UNI-ISO 228/1

NOTE: magenta codes = ISO metric diameters according to IEC 60423

90° LGP CONNECTORS PLASTIC THREAD



UV
resistant

PATENTED
SYSTEM



6666 25

90° fixed male connector with plastic thread made of high quality, halogen free and flame retardant polyamide. It ensures high resistance to traction and torque and good mechanical and thermal performances. It's the ideal solution for static and dynamic applications and for most environments. With connectors and gaskets, it provides a protection index IP68.

Material:	PA6.6 [UL94-V0] halogen free and flame retardant
Temperature:	-45°C +105°C
Heat resistance:	850°C (glow wire test)
IP Protection index:	IP66 with LGP conduits IP68 with LGP conduits and gaskets
UL file:	No. E111325



LAPI

Item	ISO THREAD	Nominal diameter (mm)	Quantity (pcs)
Grey	Thread		
6665 97	M12	7	100
6665 98	M12	10	70
6665 99	M16	10	70
6666 00	M16	12	50
6666 01	M20	12	50
6666 02	M20	17	40
6666 03	M25	17	40
6666 04	M25	23	20
6666 05	M32	29	10
6666 06	M40	36	6
6666 07	M50	36	6
6666 08	M50	48	2
6666 09	M63	48	2

Black	Thread	Nominal diameter (mm)	Quantity (pcs)
6666 10	M12	7	100
6666 11	M16	8	70
6666 12	M12	10	70
6666 13	M16	10	70
6666 14	M16	12	50
6666 15	M20	12	50
6666 16	M20	15	40
6666 17	M25	15	40
6666 18	M20	17	40
6666 19	M25	17	40
6666 20	M25	19	20
6666 21	M25	23	20
6666 22	M32	25	15
6666 23	M32	29	10
6666 24	M40	33	6
6666 25	M40	36	6
6666 26	M50	36	6
6666 27	M50	42	4
6666 28	M50	48	2
6666 29	M63	48	2

According to UNI 5542-65

NOTE: magenta codes = ISO metric diameters according to IEC 60423

Item	PG THREAD	Nominal diameter (mm)	Quantity (pcs)
Grey	Thread		
6666 30	PG7	7	100
6666 31	PG9	7	100
6666 32	PG11	7	100
6666 33	PG7	10	70
6666 34	PG9	10	70
6666 35	PG11	10	70
6666 36	PG13.5	10	70
6666 37	PG9	12	50
6666 38	PG11	12	50
6666 39	PG13.5	12	50
6666 40	PG13.5	17	40
6666 41	PG16	17	40
6666 42	PG16	23	20
6666 43	PG21	23	20
6666 44	PG29	29	10
6666 45	PG36	36	6
6666 46	PG48	48	2

According to DIN 40430

Item	PG THREAD	Nominal diameter (mm)	Quantity (pcs)
Black	Thread		
6666 47	PG7	7	100
6666 48	PG9	7	100
6666 49	PG11	7	100
6666 50	PG7	8	70
6666 51	PG9	8	70
6666 52	PG7	10	70
6666 53	PG9	10	70
6666 54	PG11	10	70
6666 55	PG13.5	10	70
6666 56	PG9	12	50
6666 57	PG11	12	50
6666 58	PG13.5	12	50
6666 59	PG13.5	15	40
6666 60	PG16	15	40
6666 61	PG13.5	17	40
6666 62	PG16	17	40
6666 63	PG16	19	20
6666 64	PG21	19	20
6666 65	PG16	23	20
6666 66	PG21	23	20
6666 67	PG29	25	15
6666 68	PG29	29	10
6666 69	PG36	33	6
6666 70	PG36	36	6
6666 71	PG42	42	4
6666 72	PG48	42	4
6666 73	PG48	48	2

According to DIN 40430

Item	GAS THREAD	Nominal diameter (mm)	Quantity (pcs)
Black	Thread		
6666 74	G1/4	7	100
6666 75	G3/8	7	100
6666 76	G1/4	10	70
6666 77	G3/8	10	70
6666 78	G3/8	12	50
6666 79	G1/2	12	50
6666 80	G1/2	17	40
6666 81	G3/4	23	20
6666 82	G1	29	10
6666 83	G1 1/4	36	6
6666 84	G2	48	2

According to UNI-ISO 228/1

45° LGP CONNECTORS PLASTIC THREAD



UV
resistant

PATENTED
SYSTEM



6667 02

45° fixed male connector with plastic thread made of high quality, halogen free and flame retardant polyamide. It ensures high resistance to traction and torque and good mechanical and thermal performances. It's the ideal solution for static and dynamic applications and for most environments. With connectors and gaskets, it provides a protection index IP68.

Material:	PA6.6 [UL94-V0] halogen free and flame retardant
Temperature:	-45°C +105°C
Heat resistance:	850°C (glow wire test)
IP Protection index:	IP66 with LGP conduits IP68 with LGP conduits and gasket
UL file:	No. E111325



LAPI

Item	ISO THREAD	Nominal diameter (mm)	Quantity (pcs)
Grey	Thread	Nominal diameter (mm)	Quantity (pcs)
6666 85	M12	7	100
6666 86	M12	10	70
6666 87	M16	10	70
6666 88	M16	12	50
6666 89	M20	12	50
6666 90	M20	17	40
6666 91	M25	17	40
6666 92	M25	23	20
6666 93	M32	29	10
6666 94	M40	36	6
6666 95	M50	36	6
6666 96	M50	48	2
6666 97	M63	48	2

Item	ISO THREAD	Nominal diameter (mm)	Quantity (pcs)
Black	Thread	Nominal diameter (mm)	Quantity (pcs)
6666 98	M12	7	100
6666 99	M16	8	70
6667 00	M12	10	70
6667 01	M16	10	70
6667 02	M16	12	50
6667 03	M20	12	50
6667 04	M20	15	40
6667 05	M25	15	40
6667 06	M20	17	40
6667 07	M25	17	40
6667 08	M25	19	20
6667 09	M25	23	20
6667 10	M32	25	15
6667 11	M32	29	10
6667 12	M40	33	6
6667 13	M40	36	6
6667 14	M50	36	6
6667 15	M50	42	4
6667 16	M50	48	2
6667 17	M63	48	2

According to UNI 5542-65

Item	PG THREAD	Nominal diameter (mm)	Quantity (pcs)
Grey	Thread	Nominal diameter (mm)	Quantity (pcs)
6667 18	PG7	7	100
6667 19	PG9	7	100
6667 20	PG11	7	100
6667 21	PG7	10	70
6667 22	PG9	10	70
6667 23	PG11	10	70
6667 24	PG13.5	10	70
6667 25	PG9	12	50
6667 26	PG11	12	50
6667 27	PG13.5	12	50
6667 28	PG13.5	17	40
6667 29	PG16	17	40
6667 30	PG16	23	20
6667 31	PG21	23	20
6667 32	PG29	29	10
6667 33	PG36	36	6
6667 34	PG48	48	2

Item	PG THREAD	Nominal diameter (mm)	Quantity (pcs)
Black	Thread	Nominal diameter (mm)	Quantity (pcs)
6667 35	PG7	7	100
6667 36	PG9	7	100
6667 37	PG11	7	100
6667 38	PG7	8	70
6667 39	PG9	8	70
6667 40	PG7	10	70
6667 41	PG9	10	70
6667 42	PG11	10	70
6667 43	PG13.5	10	70
6667 44	PG9	12	50
6667 45	PG11	12	50
6667 46	PG13.5	12	50
6667 47	PG13.5	15	40
6667 48	PG16	15	40
6667 49	PG13.5	17	40
6667 50	PG16	17	40
6667 51	PG16	19	20
6667 52	PG21	19	20
6667 53	PG16	23	20
6667 54	PG21	23	20
6667 55	PG29	25	15
6667 56	PG29	29	10
6667 57	PG36	33	6
6667 58	PG36	36	6
6667 59	PG42	42	4
6667 60	PG48	42	4
6667 61	PG48	48	2

According to DIN 40430

Item	GAS THREAD	Nominal diameter (mm)	Quantity (pcs)
Black	Thread	Nominal diameter (mm)	Quantity (pcs)
6667 62	G1/4	7	100
6667 63	G3/8	7	100
6667 64	G1/4	10	70
6667 65	G3/8	10	70
6667 66	G3/8	12	50
6667 67	G1/2	12	50
6667 68	G1/2	17	40
6667 69	G3/4	23	20
6667 70	G1	29	10
6667 71	G1 1/4	36	6
6667 72	G2	48	2

According to UNI-ISO 228/1

NOTE: magenta codes = ISO metric diameters according to IEC 60423

STRAIGHT LGP CONNECTORS METAL THREAD

UV
resistant

PATENTED
SYSTEM



6667 76

Straight fixed male connector with metal thread made of high quality, halogen free and flame retardant polyamide. It ensures high resistance to traction and torque and good mechanical and thermal performances. It's the ideal solution for static and dynamic applications and for environments subjected to permanent stress and vibrations. With connectors and gaskets, it provides a protection index IP68.

Material:	PA6.6 [UL94-V0] halogen free and flame retardant with nickel plated brass thread
Temperature:	-45°C +105°C
Heat resistance:	850°C (glow wire test)
IP Protection index:	IP66 with LGP conduits IP68 with LGP conduits and gasket

Item	ISO THREAD		
Black	Thread	Nominal diameter (mm)	Quantity (pcs)
6667 73	M12	7	40
6667 74	M16	8	40
6667 75	M16	10	40
6667 76	M16	12	30
6667 77	M20	12	30
6667 78	M20	15	25
6667 79	M20	17	25
6667 80	M25	17	25
6667 81	M25	19	25
6667 82	M25	23	20
6667 83	M32	23	20
6667 84	M32	25	15
6667 85	M32	29	15
6667 86	M40	33	10
6667 87	M40	36	10
6667 88	M50	36	10
6667 89	M50	42	6
6667 90	M50	48	6
6667 91	M63	48	6

According to UNI 5542-65

Item	PG THREAD		
Black	Thread	Nominal diameter (mm)	Quantity (pcs)
6667 92	PG7	7	40
6667 93	PG9	8	40
6667 94	PG9	10	40
6667 95	PG11	12	30
6667 96	PG13.5	12	30
6667 97	PG16	15	25
6667 98	PG13.5	17	25
6667 99	PG16	17	25
6668 00	PG21	19	25
6668 01	PG21	23	20
6668 02	PG29	25	15
6668 03	PG29	29	15
6668 04	PG36	33	10
6668 05	PG36	36	10
6668 06	PG42	42	6
6668 07	PG48	42	6
6668 08	PG42	48	6
6668 09	PG48	48	6

According to DIN 40430

LAPI Compliant to CEN TS 45545 – Risk level HL2
Compliant to UNI CEI 11170 – Risk level LR4
Compliant to NF F 16-101/102 – Smoke emissions F2
Additional extension: compliant to NF F 16-101/102 – Smoke emissions F1

NOTE: magenta codes = ISO metric diameters according to IEC 60423

90° LGP CONNECTORS METAL THREAD

UV
resistant

PATENTED
SYSTEM



6668 15

90° fixed male connector with metal thread made of high quality, halogen free and flame retardant polyamide. It ensures high resistance to traction and torque and good mechanical and thermal performances. It's the ideal solution for static and dynamic applications and for environments subjected to permanent stress and vibrations. With connectors and gaskets, it provides a protection index IP68.

Material:	PA6.6 [UL94-V0] halogen free and flame retardant with nickel plated brass thread
Temperature:	-45°C +105°C
Heat resistance:	850°C (glow wire test)
IP Protection index:	IP66 with LGP conduits IP68 with LGP conduits and gasket

Item	ISO THREAD		
Black	Thread	Nominal diameter (mm)	Quantity (pcs)
6668 10	M12	7	40
6668 11	M16	8	40
6668 12	M16	10	35
6668 13	M16	12	30
6668 14	M20	12	30
6668 15	M20	15	20
6668 16	M20	17	20
6668 17	M25	17	20
6668 18	M25	19	20
6668 19	M25	23	15
6668 20	M32	23	15
6668 21	M32	25	10
6668 22	M32	29	10
6668 23	M40	33	6
6668 24	M40	36	4
6668 25	M50	42	4
6668 26	M50	48	2
6668 27	M63	48	2

According to UNI 5542-65

Item	PG THREAD		
Black	Thread	Nominal diameter (mm)	Quantity (pcs)
6668 28	PG7	D7	40
6668 29	PG9	D8	40
6668 30	PG9	D10	35
6668 31	PG11	D12	30
6668 32	PG13.5	D12	30
6668 33	PG16	D15	20
6668 34	PG13.5	D17	20
6668 35	PG16	D17	20
6668 36	PG21	D19	20
6668 37	PG21	D23	15
6668 38	PG29	D25	10
6668 39	PG29	D29	10
6668 40	PG36	D33	6
6668 41	PG36	D36	4
6668 42	PG42	D42	4
6668 43	PG42	D48	2
6668 44	PG48	D48	2

According to DIN 40430

LAPI Compliant to CEN TS 45545 – Risk level HL2
Compliant to UNI CEI 11170 – Risk level LR4
Compliant to NF F 16-101/102 – Smoke emissions F2
Additional extension: compliant to NF F 16-101/102 – Smoke emissions F1

NOTE: magenta codes = ISO metric diameters according to IEC 60423

45° LGP CONNECTORS METAL THREAD

UV
resistant

PATENTED
SYSTEM



6668 50

45° fixed male connector with metal thread made of high quality, halogen free and flame retardant polyamide. It ensures high resistance to traction and torque and good mechanical and thermal performances. It's the ideal solution for static and dynamic applications and for environments subjected to permanent stress and vibrations. With connectors and gaskets, it provides a protection index IP68.

Material:	PA6.6 [UL94-V0] halogen free and flame retardant with nickel plated brass thread
Temperature:	-45°C +105°C
Heat resistance:	850°C (glow wire test)
IP Protection index:	IP66 with LGP conduits IP68 with LGP conduits and gasket

Item	ISO THREAD	Thread	Nominal diameter (mm)	Quantity (pcs)
Black				
6668 45	M12		7	40
6668 46	M16		8	40
6668 47	M16		10	35
6668 48	M16		12	30
6668 49	M20		12	30
6668 50	M20		15	20
6668 51	M20		17	20
6668 52	M25		17	20
6668 53	M25		19	20
6668 54	M25		23	15
6668 55	M32		23	15
6668 56	M32		25	10
6668 57	M32		29	10
6668 58	M40		33	6
6668 59	M40		36	4
6668 60	M50		42	4
6668 61	M50		48	2
6668 62	M63		48	2

According to UNI 5542-65

Item	PG THREAD	Thread	Nominal diameter (mm)	Quantity (pcs)
Black				
6668 63	PG7		7	40
6668 64	PG9		8	40
6668 65	PG9		10	35
6668 66	PG11		12	30
6668 67	PG13.5		12	30
6668 68	PG16		15	20
6668 69	PG13.5		17	20
6668 70	PG16		17	20
6668 71	PG21		19	20
6668 72	PG21		23	15
6668 73	PG29		25	10
6668 74	PG29		29	10
6668 75	PG36		33	6
6668 76	PG36		36	4
6668 77	PG42		42	4
6668 78	PG42		48	2
6668 79	PG48		48	2

According to DIN 40430

LAPI Compliant to CEN TS 45545 – Risk level HL2
Compliant to UNI CEI 11170 – Risk level LR4
Compliant to NF F 16-101/102 – Smoke emissions F2
Additional extension: compliant to NF F 16-101/102 – Smoke emissions F1

NOTE: magenta codes = ISO metric diameters according to IEC 60423

90° FLANGED LGP CONNECTORS



UV
resistant

PATENTED
SYSTEM



6668 82

90° flanged fixed male connector with plastic thread made of high quality, halogen free and flame retardant polyamide. It ensures high resistance to traction and torque and good mechanical and thermal performances. It's the ideal solution for static and dynamic applications and for most environments. With connectors and gaskets, it provides a protection index IP68.

Material: PA6.6 [UL94-V0] halogen free and flame retardant

Temperature: -45°C +105°C

Heat resistance: 850°C (glow wire test)

IP Protection index: IP66 with LGP conduits

IP68 with LGP conduits and gasket

UL file: No. 111325

Item	PG THREAD	Thread	Nominal diameter (mm)	Quantity (pcs)
Black				
6668 80		PG36	33	5
6668 81		PG36	36	5
6668 82		PG42	42	4
6668 83		PG42	48	4

According to DIN 40430



Compliant to IEC 61386 - Conduits and accessories systems for electrical connections and cable management



Compliant to CEN TS 45545 – Risk level HL2
Compliant to UNI CEI 11170 – Risk level LR4
Compliant to NF F 16-101/102 – Smoke emissions F2
Additional extension: compliant to NF F 16-101/102 – Smoke emissions F1

LGP CONNECTORS FOR STRAIGHT CABLE GLANDS



UV
resistant

PATENTED
SYSTEM



6669 03

Straight fixed male cable-gland with plastic thread made of high quality, halogen free and flame retardant polyamide. Supplied with rubber gasket and plastic insert for cable tightening. It ensures good mechanical and thermal performances and works both as connector and cable-gland. It's the ideal solution for static and dynamic applications and for most environments. With connectors and gaskets, it provides a protection index IP68.

Material: PA6.6 [UL94-V0] halogen free and flame retardant

Temperature: -45°C +105°C

Heat resistance: 850°C (glow wire test)

IP Protection index: IP66 with LGP conduits

IP68 with LGP conduits and gasket

Item	ISO THREAD	Thread	Nominal diameter (mm)	Quantity (pcs)
Black				
6668 84		M16	7	25
6668 85		M16	10	25
6668 86		M16	12	20
6668 87		M20	15	20
6668 88		M20	17	20
6668 89		M25	19	15
6668 90		M25	23	15
6668 91		M32	25	10
6668 92		M32	29	10
6668 93		M40	36	6
6668 94		M63	48	4

According to UNI 5542-65

Item	PG THREAD	Thread	Nominal diameter (mm)	Quantity (pcs)
Black				
6668 95		PG7	7	25
6668 96		PG9	7	25
6668 97		PG11	8	25
6668 98		PG9	10	25
6668 99		PG13.5	12	20
6669 00		PG16	15	20
6669 01		PG13.5	17	20
6669 02		PG16	17	20
6669 03		PG21	19	15
6669 04		PG21	23	15
6669 05		PG29	25	10
6669 06		PG29	29	10
6669 07		PG36	36	6
6669 08		PG48	48	4

According to DIN 40430



NOTE: magenta codes = ISO metric diameters according to IEC 60423

LGP CONNECTORS FOR SENSORS



UV resistant

PATENTED SYSTEM



6669 13



6669 26

Straight and 90° fixed male connector with plastic thread made of high quality, halogen free and flame retardant polyamide. It ensures good mechanical and thermal performances and allows the connection and the use of sensors thanks to the transparent cap. It's the ideal solution for static and dynamic applications and for most environments. With connectors and gaskets, it provides a protection index IP68.

Material:	PA6.6 [UL94-V0] halogen free and flame retardant
Temperature:	-45°C +105°C
Heat resistance:	850°C (glow wire test)
IP Protection index:	IP66 with LGP conduits IP68 with LGP conduits and gasket

Item	STRAIGHT LGP CONNECTORS		
Black	Thread	Nominal diameter (mm)	Quantity (pcs)
6669 09	M8	7	10
6669 10	M12	7	10
6669 11	M18	7	10
6669 12	M30	7	10
6669 13	M12	8	10
6669 14	M18	8	10
6669 15	M30	8	10
6669 16	M12	10	10
6669 17	M18	10	10
6669 18	M30	10	10
6669 19	M12	12	10
6669 20	M18	12	10
6669 21	M30	12	10

Black	90° LGP CONNECTORS		
Black	Thread	Nominal diameter (mm)	Quantity (pcs)
6669 22	M8	7	10
6669 23	M12	7	10
6669 24	M18	7	10
6669 25	M30	7	10
6669 26	M12	8	10
6669 27	M18	8	10
6669 28	M30	8	10
6669 29	M12	10	10
6669 30	M18	10	10
6669 31	M30	10	10
6669 32	M12	12	10
6669 33	M18	12	10
6669 34	M30	12	10

NOTE: magenta codes = ISO metric diameters according to IEC 60423

CONNECTORS



UV resistant

PATENTED SYSTEM



6669 38

"Y" CONNECTORS

"Y" fixed male connector with plastic thread made of high quality, halogen free and flame retardant polyamide. Made by three-way elements (one input and two reduction outputs), it ensures good mechanical and thermal performances. It's the ideal solution for static and dynamic applications and for most environments. With connectors and gaskets, it provides a protection index IP68.

Material:	PA6.6 [UL94-V0] halogen free and flame retardant
Temperature:	-45°C +105°C
Heat resistance:	850°C (glow wire test)
IP Protection index:	IP66 with LGP conduits IP68 with LGP conduits and gasket
UL file:	No. E111325

Item	"Y" CONNECTORS		
Black	Entry	Output	Quantity (pcs)
6669 38	8	7x2	10
6669 39	12	8x2	10
6669 40	15	8x2	10
6669 41	15	12x2	10
6669 42	19	15x2	10

Black	PARALLEL "Y" CONNECTORS		
Black	Entry	Output	Quantity (pcs)
6669 35	10	7x2	10
6669 36	12	10x2	10
6669 37	17	12x2	10



"T" CONNECTORS

"T" fixed male connector with plastic thread made of high quality, halogen free and flame retardant polyamide. Made by two components with locking snap and fixing option with screws. It's the ideal solution for static and dynamic applications.

Material:	PA6.6 [UL94-V0] halogen free and flame retardant
Temperature:	-25°C +90°C
Heat resistance:	850°C (glow wire test)
IP Protection index:	IP55 with LGP conduits

Item	"T" CONNECTORS		
Black	Entry	Output	Quantity (pcs)
6669 43	23	17x2	10
6669 44	29	23x2	10

ACCESSORIES



6669 62



6669 51

PROTECTION RINGS

Specific metal ring for coupling between LGP connectors and steel braided conduits.

Material: UNI EN 12164 CW 614N brass
Nickel plating: 2-5 µm

IP Protection index: IP66 with LGP steel braided flexible conduits
IP68 with LGP conduits and gasket

Item	PROTECTION RINGS	
	Nominal diameter (mm)	Quantity (pcs)
6669 45	7	25
6669 46	8	25
6669 47	10	25
6669 48	12	25
6669 49	15	25
6669 50	17	25
6669 51	19	25
6669 52	23	25
6669 53	25	25
6669 54	29	25
6669 55	33	25
6669 56	36	25
6669 57	42	10
6669 58	48	10

IP68 GASKETS

LGP gasket. When fitted between LGP connectors and conduits, it provides an IP68 protection index. Ideal for all those applications where is required an high protection against penetration of solid bodies or liquids. Installation instructions for the correct use of gaskets are included in the packaging.

Material: Neoprene

IP Protection index: IP68 with LGP conduits and LGP connectors

Item	IP68 GASKETS	
	Nominal diameter (mm)	Quantity (pcs)
6669 59	7	100
6669 60	8	100
6669 61	10	100
6669 62	12	100
6669 63	15	100
6669 64	17	100
6669 65	19	50
6669 66	23	50
6669 67	25	40
6669 68	29	40
6669 69	33	40
6669 70	36	40
6669 71	42	30
6669 72	48	30

Note: In order to guarantee the protection index and ensure the correct assembly of the gasket, refer to the instruction leaflet provided.



666996



UV resistant



666984

FIXING CLIP

Fixing accessory made of high quality, halogen free and flame retardant polyamide. It allows the fixing and avoids the sliding of the conduits subjected to traction. It can be fixed with screws and allows the modular composition with the coupling pins included in the packaging.

Material: PA6.6 [UL94-V0] halogen free and flame retardant

Temperature: -45°C +105°C

Item	FIXING CLIP		Nominal diameter (mm)	Quantity (pcs)
	Grey	Black		
6669 73	+	6669 81	7	100
-	+	6669 82	8	100
6669 74	+	6669 83	10	100
6669 75	+	6669 84	12	100
-	+	6669 85	15	50
6669 76	+	6669 86	17	50
-	+	6669 87	19	50
6669 77	+	6669 88	23	50
-	+	6669 89	25	20
6669 78	+	6669 90	29	20
-	+	6669 91	33	20
6669 79	+	6669 92	36	20
-	+	6669 93	42	10
6669 80	+	6669 94	48	10

DIN RAIL FIXING CLIP

Fixing accessory made of high quality, halogen free and flame retardant polyamide. It's used to secure the fixing clips to metal standard profiles DIN EN 60715-35x7,5/15 mm.

Material: PA6.6 [UL94-V0] halogen free and flame retardant

Temperature: -45°C +105°C

Item	DIN RAIL FIXING CLIP		
	Diameter (mm)		Quantity (pcs)
	Minimum	Maximum	
6669 95	7	10	50
6669 96	12	17	50
6669 97	19	29	20
6669 98	33	48	20



Compliant to IEC 61386 - Conduits and accessories systems for electrical connections and cable management



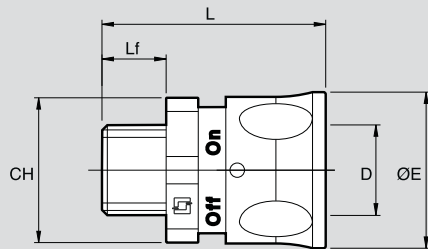
Compliant to CEN TS 45545 - Risk level HL2
Compliant to UNI CEI 11170 - Risk level LR4
Compliant to NF F 16-101/102 - Smoke emissions F2
Additional extension: compliant to NF F 16-101/102 - Smoke emissions F1

NOTE: magenta codes = ISO metric diameters according to IEC 60423

DIMENSIONAL DATA

Plastic connectors for polyamide flexible conduits

PLASTIC THREAD STRAIGHT



PG thread		Conduit size (mm)		Connector size (mm)			
Grey	Black	NomD*	outD	CH	L	Lf	ØE
666491	666514	7	10	22	41.5	10	24
666492	666515	7	10	22	41.5	10	24
666493	666516	7	10	22	41.5	10	24
666494	666517	7	10	24	41.5	10	24
	666518	8	12	24	41.5	10	26
	666519	8	12	24	41.5	10	26
	666520	8	12	24	41.5	10	26
	666521	8	12	24	41.5	10	24
666495	666522	10	13	22	41.5	10	24
666496	666523	10	13	22	41.5	10	24
666497	666524	10	13	22	41.5	10	24
666498	666525	10	13	24	41.5	10	24
666499	666526	12	16	25	46	12	30.5
666500	666527	12	16	25	46	12	30.5
666501	666528	12	16	25	46	12	30.5
666502	666529	12	16	25	46	12	30.5
	666530	15	20	29	49	14	34.5
	666531	15	20	29	49	14	34.5
666503	666532	17	21	30	49	14	32.5
666504	666533	17	21	30	49	14	32.5
666505	666534	17	21	30	49	14	32.5
	666535	19	25	34	52	14	39.5
	666536	19	25	34	52	14	39.5
666506	666537	23	29	38	52	14	41
666507	666538	23	29	38	52	14	41
	666539	25	32	41	56	14	47
666508	666540	29	35	45	56	14	47
666509	666541	29	35	52	56	14	47
	666542	33	40	50	59	14	55
666510	666543	36	43	55	59	14	56
666511	666544	36	43	60	59	14	56
	666545	42	50	60	66	16	65
	666546	42	50	60	66	16	65
666512	666547	48	55	65	66	16	69
666513	666548	48	55	65	66	16	69

ISO thread		Conduit size (mm)		Connector size (mm)			
Grey	Black	nomD*	outD	CH	L	Lf	ØE
666452	666468	7	10	22	41.5	10	24
666453	666469	7	10	22	41.5	10	24
	666470	8	12	24	41.5	10	26
666454	666471	10	13	22	41.5	10	24
666455	666472	10	13	22	41.5	10	24
666456	666473	12	16	25	46	12	30.5
666457	666474	12	16	25	46	12	30.5
	666475	15	20	25	49	14	34.5
	666476	15	20	25	49	14	34.5
666458	666477	17	21	30	49	14	32.5
666459	666478	17	21	30	49	14	32.5
	666479	19	25	34	52	14	39.5
666460	666480	23	29	38	52	14	41
666461	666481	23	29	38	52	14	41
	666482	25	32	41	56	14	47
666462	666483	29	35	45	56	14	47
666463	666484	29	35	48	56	14	47
	666485	33	40	50	59	14	55
666464	666486	36	40	55	59	14	56
666465	666487	36	43	55	59	14	56
	666488	42	50	60	66	16	65
666466	666489	48	55	65	66	16	69
666467	666490	48	55	70	66	16	69

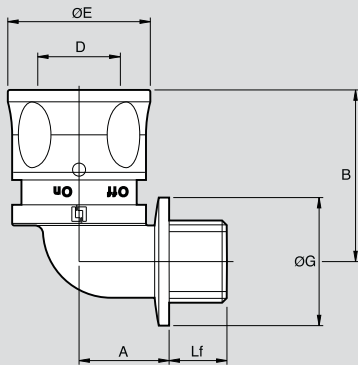
Gas thread	Conduit size (mm)		Connector size (mm)			
Black	nomD*	outD	CH	L	Lf	ØE
666549	7	10	22	41.5	10	24
666550	7	10	22	41.5	10	24
666552	10	13	22	41.5	10	24
666553	12	16	25	46	12	30.5
666554	12	16	25	46	12	30.5
666555	17	21	30	49	14	32.5
666556	17	21	32	49	14	32.5
666557	23	29	38	52	14	41
666558	23	29	38	52	14	41
666559	29	35	45	56	14	47
666560	29	35	48	56	14	47
666561	36	43	55	59	14	56
666562	36	43	55	59	14	56
666563	48	55	65	66	16	69
666564	48	55	65	66	16	69

*The nominal diameter (nomD) corresponds to the useful diameter of the connector

DIMENSIONAL DATA

Plastic connectors for polyamide flexible conduits

90° WITH SHARP EDGE PLASTIC THREAD



Iso thread	Conduit Size (mm)		Connector size (mm)				
	nomD*	outD	A	B	Lf	ØE	ØG
666565	7	10	16	33.5	10	24	17.5
666566	8	12	17	34	10	26	21
666567	10	13	18	35	10	24	21
666568	12	16	19.5	39.5	12	30.5	26
666569	12	16	19.5	39.5	12	30.5	26
666570	15	20	22	41.5	14	34.5	31
666571	15	20	22	41.5	14	34.5	31
666572	17	21	22	42	14	32.5	31
666573	19	25	25	48	14	39.5	34
666574	23	29	26.5	50	14	41	34
666575	25	32	28.5	58.5	14	47	43
666576	29	35	30.5	58.5	14	47	43

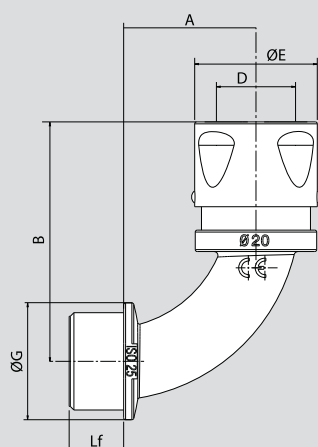
PG thread	Conduit Size (mm)		Connector size (mm)				
	nomD*	outD	A	B	Lf	ØE	ØG
666577	7	10	16	33.5	10	24	17.5
666578	8	12	17	34	10	26	21
666579	8	12	17	34	10	26	21
666580	10	13	18	35	10	24	21
666581	10	13	18	35	10	24	21
666582	12	16	19.5	39.5	12	30.5	26
666583	12	16	19.5	39.5	12	30.5	26
666584	15	20	22	41.5	14	34.5	31
666585	15	20	22	41.5	14	34.5	31
666586	17	21	22	42	14	32.5	31
666587	17	21	22	42	14	32.5	31
666588	19	25	25	48	14	39.5	34
666589	19	25	25	48	14	39.5	34
666590	23	29	26.5	50	14	41	34
666591	25	32	28.5	58.5	14	47	43
666592	29	35	30.5	58.5	14	47	43

Gas thread	Conduit Size (mm)		Connector size (mm)				
	nomD*	outD	A	B	Lf	ØE	ØG
666593	10	13	18	35	10	24	21
666594	17	21	22	42	14	32.5	31
666595	23	29	26.5	50	14	41	34
666596	29	35	30.5	58.5	14	47	43

DIMENSIONAL DATA

Plastic connectors for polyamide flexible conduits

90° PLASTIC THREAD



Iso thread		Conduit Size (mm)		Connector size (mm)				
Grey	Black	nomD*	outD	A	B	Lf	ØE	ØG
666597	666610	7	10	24	49	10	18	18
	666611	8	12	26.5	51	10	20	18
666598	666612	10	13	34	49	10	24	18
666599	666613	10	13	34	49	10	24	18
666600	666614	12	16	43	56.5	12	30.5	24
666601	666615	12	16	43	56.5	12	30.5	24
	666616	15	20	48	61.5	14	34.5	30
	666617	15	20	48	61.5	14	34.5	30
666602	666618	17	21	56.5	68	14	32.5	32
666603	666619	17	21	56.5	68	14	32.5	32
	666620	19	25	58.5	68	14	39.5	32
666604	666621	23	29	58.5	68	14	41	32
	666622	25	32	65	81	14	47	42
666605	666623	29	35	65	81	14	47	42
	666624	33	40	65	81	14	55	42
666606	666625	36	43	80	97.5	14	56	56
666607	666626	36	43	80	97.5	14	56	56
	666627	42	50	92	111	16	65	68
666608	666628	48	55	92	111	16	69	68
666609	666629	48	55	92	111	16	69	68

PG thread		Conduit Size (mm)		Connector size (mm)				
Grey	Black	nomD*	outD	A	B	Lf	ØE	ØG
666630	666647	7	10	24	49	10	18	18
666631	666648	7	10	24	49	10	18	18
666632	666649	7	10	24	49	10	18	18
	666650	8	12	26.5	51	10	20	18
	666651	8	12	26.5	51	10	20	18
666633	666652	10	13	34	49	10	24	18
666634	666653	10	13	34	49	10	24	18
666635	666654	10	13	34	49	10	24	18
666636	666655	10	13	34	49	10	24	18
666637	666656	12	16	43	56.5	12	30.5	24
666638	666657	12	16	43	56.5	12	30.5	24
666639	666658	12	16	43	56.5	12	30.5	24
	666659	15	20	48	61.5	14	34.5	30
	666660	15	20	48	61.5	14	34.5	30
666640	666661	17	21	56.5	68	14	32.5	32
666641	666662	17	21	56.5	68	14	32.5	32
	666663	19	25	58.5	68	14	39.5	32
	666664	19	25	58.5	68	14	39.5	32
666642	666665	23	29	58.5	68	14	41	32
666643	666666	23	29	58.5	68	14	41	32
	666667	25	32	65	81	14	47	42
666644	666668	29	35	65	81	14	47	42
	666669	33	40	80	97.5	14	55	56
666645	666670	36	43	80	97.5	14	56	56
	666671	42	50	92	111	16	65	68
	666672	42	50	92	111	16	65	68
666646	666673	48	55	92	111	16	69	68

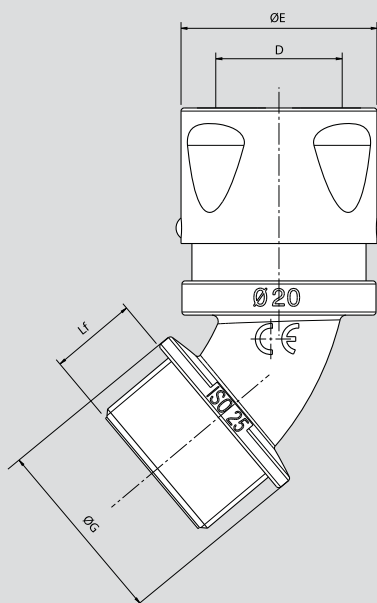
Gas thread		Conduit Size (mm)		Connector size (mm)				
Black		nomD*	outD	A	B	Lf	ØE	ØG
666674		7	10	24	49	10	18	18
666675		7	10	24	49	10	18	18
666676		10	13	34	49	10	24	18
666677		10	13	34	49	10	24	18
666678		12	16	43	56.5	12	30.5	24
666679		12	16	43	56.5	12	30.5	24
666680		17	21	56.5	68	14	32.5	32
666681		23	29	58.5	68	14	41	32
666682		29	35	65	81	14	47	42
666683		36	43	80	97.5	14	56	56
666684		48	55	92	111	16	69	68

*The nominal diameter (nomD) corresponds to the useful diameter of the connector

DIMENSIONAL DATA

Plastic connectors for polyamide flexible conduits

45° PLASTIC THREAD



Iso thread		Conduit size (mm)		Connector size (mm)		
Grey	Black	nomD*	outD	Lf	ØE	ØG
666685	666698	7	10	10	21.5	18
	666699	8	12	10	23	20
666686	666700	10	13	10	24	18
666687	666701	10	13	10	24	18
666688	666702	12	16	12	30.5	24
666689	666703	12	16	12	30.5	24
	666704	15	20	14	34.5	30
	666705	15	20	14	34.5	20
666690	666706	17	21	14	32.5	32
666691	666707	17	21	14	32.5	32
	666708	19	25	14	39.5	32
666692	666709	23	29	14	41	32
	666710	25	32	14	47	42
666693	666711	29	35	14	47	42
	666712	33	40	14	55	56
666694	666713	36	43	14	56	56
666695	666714	36	43	14	56	56
	666715	42	50	16	65	68
666696	666716	48	55	16	69	68
666697	666717	48	55	16	69	68

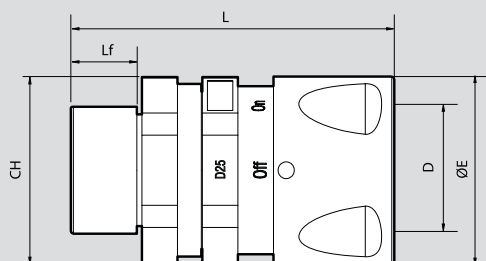
PG thread		Conduit size (mm)		Connector size (mm)		
Grey	Black	nomD*	outD	Lf	ØE	ØG
666718	666735	7	10	10	21.5	18
666719	666736	7	10	10	21.5	18
666720	666737	7	10	10	21.5	18
	666738	8	12	10	23	20
	666739	8	12	10	23	20
666721	666740	10	13	10	24	18
666722	666741	10	13	10	24	18
666723	666742	10	13	10	24	18
666724	666743	10	13	10	24	18
666725	666744	12	16	12	30.5	24
666726	666745	12	16	12	30.5	24
666727	666746	12	16	12	30.5	24
	666747	15	20	14	34.5	30
	666748	15	20	14	34.5	30
666728	666749	17	21	14	32.5	32
666729	666750	17	21	14	32.5	32
	666751	19	25	14	39.5	32
	666752	19	25	14	39.5	32
666730	666753	23	29	14	41	32
666731	666754	23	29	14	41	32
	666755	25	32	14	47	42
666732	666756	29	32	14	47	42
	666757	33	40	14	55	56
666733	666758	36	43	14	56	68
	666759	42	50	16	65	68
	666760	42	50	16	65	68
666734	666761	48	55	16	69	65

Gas thread	Conduit size (mm)		Connector size (mm)		
Black	nomD*	outD	Lf	ØE	ØG
666762	7	10	10	21.5	18
666763	7	10	10	21.5	18
666764	10	13	10	24	18
666765	10	13	10	24	18
666766	12	16	12	30.5	24
666767	12	16	12	30.5	24
666768	17	21	14	32.5	32
666769	23	29	14	41	32
666770	29	35	14	47	42
666771	36	43	14	56	56
666772	48	55	16	69	68

DIMENSIONAL DATA

Metal connectors for polyamide flexible conduits

METAL THREAD STRAIGHT



ISO thread	Conduit size (mm)		Connector size (mm)			
	nomD*	outD	CH	L	Lf	ØE
666773	7	10	22	53	10	24
666774	8	12	24	53	10	26
666775	10	13	22	53	10	24
666776	12	16	25	57	12	30.5
666777	12	16	25	57	12	30.5
666778	15	20	29	60	14	34.5
666779	17	21	30	60	14	32.5
666780	17	21	30	60	14	32.5
666781	19	25	34	63	14	39.5
666782	23	29	38	63	14	41
666783	23	29	38	63	14	41
666784	25	32	41	66	14	47
666785	29	35	45	66	14	47
666786	33	40	50	70	14	55
666787	36	43	55	70	14	56
666788	36	43	55	70	14	56
666789	42	50	60	78	16	65
666790	48	55	65	78	16	69
666791	48	55	65	78	16	69

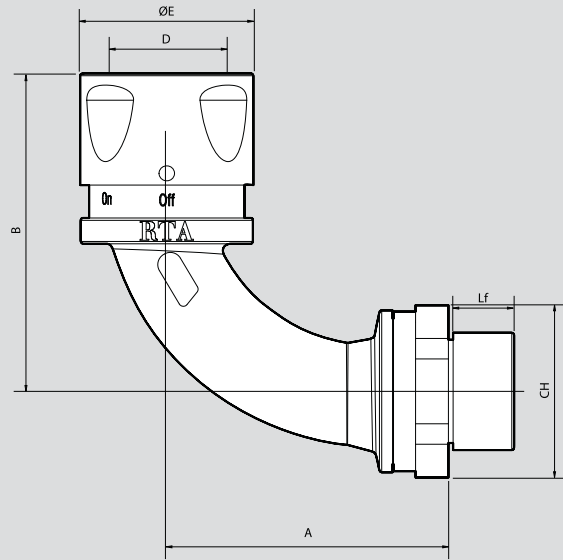
PG thread	Conduit size (mm)		Connector size (mm)			
	nomD*	outD	CH	L	Lf	ØE
666792	7	10	22	53	10	24
666793	8	12	24	53	10	26
666794	10	13	22	53	10	24
666795	12	16	25	57	12	30.5
666796	12	16	25	57	12	30.5
666797	15	20	29	60	14	34.5
666798	17	21	30	60	14	32.5
666799	17	21	30	60	14	32.5
666800	19	25	34	63	14	39.5
666801	23	29	38	63	14	41
666802	25	35	41	66	14	47
666803	29	35	45	66	14	47
666804	33	40	50	70	14	55
666805	36	43	55	70	14	56
666806	42	50	60	78	16	65
666807	42	50	60	78	16	65
666808	48	55	65	78	16	69
666809	48	55	65	78	16	69

*The nominal diameter (nomD) corresponds to the useful diameter of the connector

DIMENSIONAL DATA

Metal connectors for polyamide flexible conduits

90°METAL THREAD



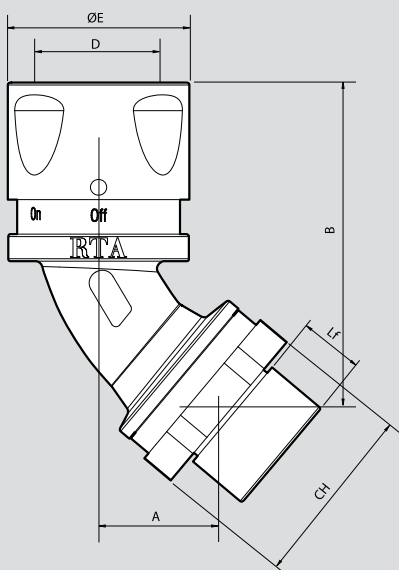
ISO thread	Conduit size (mm)		Connector size (mm)				
	nomD*	outD	CH	A	B	Lf	ØE
666810	7	10	22	35	49	10	18
666811	8	12	24	38	51	10	20
666812	10	13	22	45	49	10	24
666813	12	16	25	54	56.5	12	30.5
666814	12	16	25	54	56.5	12	30.5
666815	15	20	29	59	61.5	14	34.5
666816	17	21	30	68	68	14	32.5
666817	17	21	30	68	68	14	32.5
666818	19	25	34	70	68	14	39.5
666819	23	29	38	70	68	14	41
666820	23	29	38	70	68	14	41
666821	25	32	41	76	81	14	47
666822	29	35	45	76	81	14	47
666823	33	40	50	76	81	14	55
666824	36	43	55	91	97.5	14	56
666825	42	50	60	104	111	16	65
666826	48	55	65	104	111	16	69
666827	48	55	65	104	111	16	69

PG thread	Conduit size (mm)		Connector size (mm)				
	nomD*	outD	CH	A	B	Lf	ØE
666828	7	10	22	35	49	10	18
666829	8	12	24	38	51	10	20
666830	10	13	22	45	49	10	24
666831	12	16	25	54	56.5	12	30.5
666832	12	16	25	54	56.5	12	30.5
666833	15	20	29	59	61.5	14	34.5
666834	17	21	30	68	68	14	32.5
666835	17	21	30	68	68	14	32.5
666836	19	25	34	70	68	14	39.5
666837	23	29	38	70	68	14	41
666838	25	32	41	76	81	14	47
666839	29	35	45	76	81	14	47
666840	33	40	50	76	81	14	55
666841	36	43	55	91	97.5	14	56
666842	42	50	60	104	111	16	65
666843	48	55	65	104	111	16	69
666844	48	55	65	104	111	16	69

DIMENSIONAL DATA

Metal connectors for polyamide flexible conduits

45° METAL THREAD



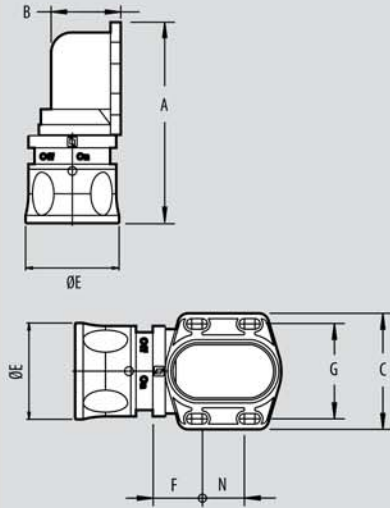
ISO thread	Conduit size (mm)		Connector size (mm)				
	nomD*	outD	CH	A	B	Lf	ØE
666845	7	10	22	35	49	10	18
666846	8	12	24	38	51	10	20
666847	10	13	22	45	49	10	24
666848	12	16	25	54	56.5	12	30.5
666849	12	16	25	54	56.5	12	30.5
666850	15	20	29	59	61.5	14	34.5
666851	17	21	30	68	68	14	32.5
666852	17	21	30	68	68	14	32.5
666853	19	25	34	70	68	14	39.5
666854	23	29	38	70	68	14	41
666855	23	29	38	70	68	14	41
666856	25	32	41	76	81	14	47
666857	29	35	45	76	81	14	47
666858	33	40	50	76	81	14	55
666859	36	43	55	91	97.5	14	56
666860	42	50	60	104	111	16	65
666861	48	55	65	104	111	16	69
666862	48	55	65	104	111	16	69

PG thread	Conduit size (mm)		Connector size (mm)				
	nomD*	outD	CH	A	B	Lf	ØE
666863	7	10	22	35	49	10	18
666864	8	12	24	38	51	10	20
666865	10	13	22	45	49	10	24
666866	12	16	25	54	56.5	12	30.5
666867	12	16	25	54	56.5	12	30.5
666868	15	20	29	59	61.5	14	34.5
666869	17	21	30	68	68	14	32.5
666870	17	21	30	68	68	14	32.5
666871	19	25	34	70	68	14	39.5
666872	23	29	38	70	68	14	41
666873	25	32	41	76	81	14	47
666874	29	35	45	76	81	14	47
666875	33	40	50	76	81	14	55
666876	36	43	55	91	97.5	14	56
666877	42	50	60	104	111	16	65
666878	48	55	65	104	111	16	69
666879	48	55	65	104	111	16	69

DIMENSIONAL DATA

Connectors for polyamide flexible conduits

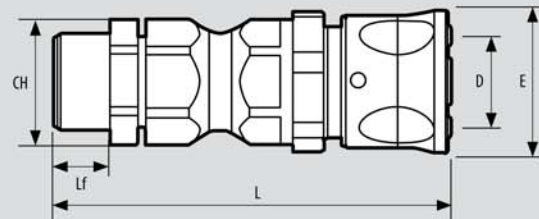
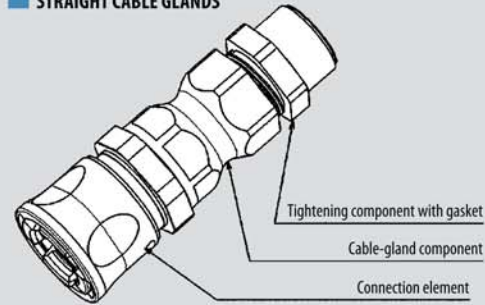
90° FLANGED



PG thread	Size (mm)								
Black	nomD*	outD	A	B	C	ØE	N	F	G
666880	33	40	151	57	87	55	35.5	40	75
666881	36	43	155	57	87	56	35.5	40	75
666882	42	50	156	57	87	65	35.5	40	75
666883	48	55	156	57	87	69	35.5	40	75

Connectors for polyamide flexible conduits

STRAIGHT CABLE GLANDS



Iso thread	Size (mm)					
Black	nomD*	D	CH	E	L	Lf
666884	7	10	15	24	47	10
666885	10	13	19	24	47	10
666886	12	16	28	30.5	80	12
666887	15	20	38	39.5	91	15
666888	17	21	38	39.5	91	15
666889	19	25	28	30.5	72	10
666890	23	29	28	30.5	72	10
666891	25	32	38	39.5	89	15
666892	29	35	38	39.5	89	15
666893	36	43	53	56	97	17
666894	48	55	60	69	105	17

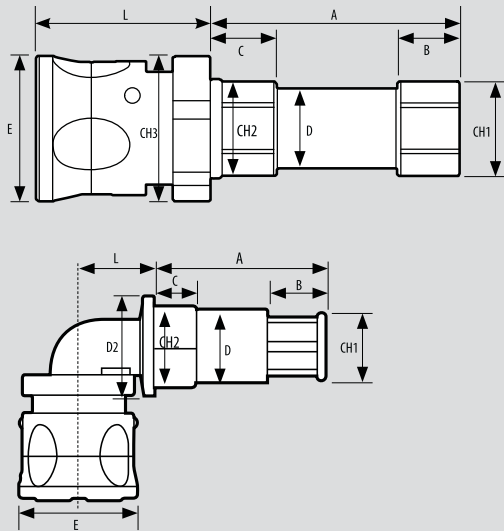
PG thread	Size (mm)					
Black	nomD*	D	CH	E	L	Lf
666895	7	10	15	24	47	10
666896	7	10	15	24	47	10
666897	8	12	15	24	47	10
666898	10	13	19	24	47	10
666899	12	16	28	30.5	80	12
666900	15	20	38	39.5	91	15
666901	17	21	38	39.5	91	15
666902	17	21	38	39.5	91	15
666903	19	25	28	30.5	72	10
666904	23	29	28	30.5	72	10
666905	25	32	38	39.5	89	15
666906	29	35	38	39.5	89	15
666907	36	43	53	56	97	17
666908	48	55	60	69	105	17

DIMENSIONAL DATA

Connectors for polyamide flexible conduits

Fittings

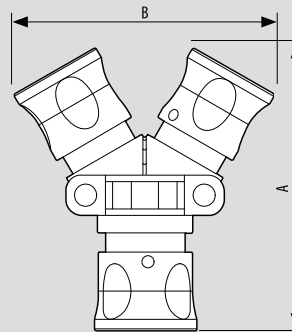
FOR SENSORS



Straight with Iso thread		Size (mm)									
Black	nomD	A	C	Pu	CH1	CH2	D	L	E	CH3	D2
666909	7	45	12	7	11	15	10	31.5	24	22	-
666910	7	45	12	10.65	17	17	14	31.5	24	22	-
666911	7	45	15	14	24	17	19	31.5	24	22	-
666912	7	45	10	26	39	17	30	31.5	24	22	-
666913	8	45	16	11	17	21	14	31.5	26	24	-
666914	8	45	10	15.5	24	21	19	31.5	26	24	-
666915	8	45	10	26	39	21	30	31.5	26	24	-
666916	10	45	12	10.65	17	17	14	31.5	24	11	-
666917	10	45	15	14	24	17	19	31.5	24	22	-
666918	10	45	10	26	39	17	30	31.5	24	22	-
666919	12	45	16	11	17	21	14	34	30.5	25	-
666920	12	45	10	15.5	24	21	19	34	30.5	25	-
666921	12	45	10	26	39	21	30	34	30.5	25	-

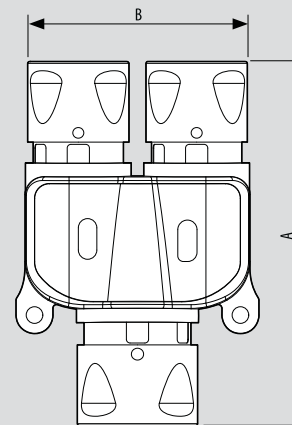
90° with Iso thread		Size (mm)									
Black	nomD	A	C	Pu	CH1	CH2	D	L	E	CH3	D2
666922	7	45	12	7	11	15	10	33.5	24	-	17.5
666923	7	45	12	10.65	17	17	14	33.5	24	-	17.5
666924	7	45	15	14	24	17	19	33.5	24	-	17.5
666925	7	45	10	26	39	17	30	33.5	24	-	17.5
666926	8	45	16	11	17	21	14	34	26	-	21
666927	8	45	10	15.5	24	21	19	34	26	-	21
666928	8	45	10	26	39	21	30	34	26	-	21
666929	10	45	12	7	11	15	10	33.5	24	-	21
666930	10	45	12	10.65	17	17	14	33.5	24	-	21
666931	10	45	15	14	24	17	19	33.5	24	-	21
666932	12	45	10	26	39	17	30	34	24	-	26
666933	12	45	16	11	17	21	14	34	26	-	26
666934	12	45	20	26	39	21	30	34	26	-	26

"Y" fittings



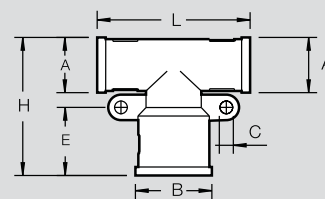
Item	A	B
666938	70	65
666939	77	70
666940	82	72
666941	86	81
666942	92	86

Parallel "Y" fittings



Item	A	B
666935	79	49
666936	86	55
666937	99	66

"T" fittings



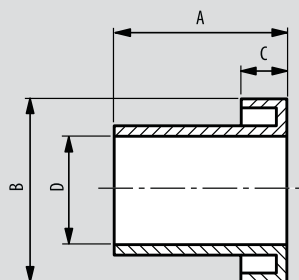
Item	ØA	ØB	ØC	E	H	L
666943	29	37	5	26	62	69
666944	37	43	5	21	72	80

*The nominal diameter (nomD) corresponds to the useful diameter of the connector

DIMENSIONAL DATA

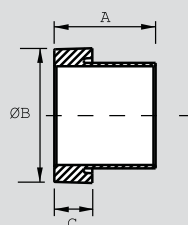
Accessories for polyamide flexible conduits

PROTECTION RINGS



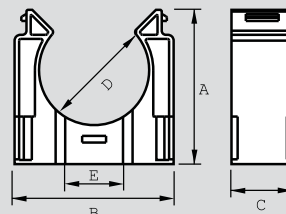
Item	Size (mm)				
	nomD*	A	B	C	D
666945	7	21	16.2	6	10
666946	8	21	19.7	6	12
666947	10	21	20.5	6	13.2
666948	12	21	24.8	6	16
666949	15	21	28.8	6	20
666950	17	21	30	6	21.5
666951	19	21	34.6	8	25
666952	23	21	38.5	6	28.9
666953	25	21	42	8	32
666954	29	21	44.5	6	35
666955	33	21	50	10	40
666956	36	21	52.5	6	43.2
666957	42	21	61	10	50
666958	48	21	66.5	6	55.4

IP68 GASKETS



Item	Size (mm)			
	nomD	A	B	C
666959	7	10	9.7	3.5
666960	8	10	11.7	3.5
666961	10	10	12.75	3.5
666962	12	11	15.6	3.5
666963	15	15	19.8	5
666964	17	15	20.8	5
666965	19	19	24.9	7
666966	23	17	28.8	5
666967	25	23	31.9	9
666968	29	24	34.9	9
666969	33	24.5	39.9	9
666970	36	25	42.9	9
666971	42	27.5	49.9	10
666972	48	28.5	54.9	10

FIXING CLIP

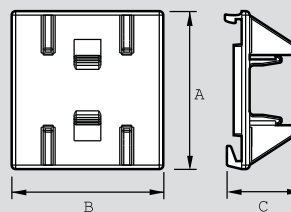


Item	Size (mm)						
	Grey	Black	nomD*	D	A	B	C
666973	666981	7	10	21.5	22.5	18	4.5
	666982	8	12	24.5	23.5	18	4.5
666974	666983	10	13	25.5	23.5	18	4.5
666975	666984	12	16	28.5	26	18	5.5
	666985	15	20	32.5	32	18	5.5
666976	666986	17	21	33.5	32	18	5.5
	666987	19	25	39	38	18	5.5
666977	666988	23	29	42.5	46.5	18	5.5
	666989	25	32	45	46.5	18	5.5
666978	666990	29	35	48.5	46.5	18	5.5
	666991	33	40	53.5	53.5	18	5.5
666979	666992	36	43	57	55	18	5.5
	666993	42	50	61	63	18	5.5
666980	666994	48	55	69	66	18	5.5



Fixing clips of any size, can be linked together using the retention pins which are supplied.

DIN RAIL FIXING CLIP



Item	Size (mm)				
	nomD*	outD	A	B	C
666995	7-10	10-12	40	21	17
666996	12-17	16-21	40	25	18
666997	19-29	25-32	40	38	20
666998	33-48	40-55	40	52	23



PVC conduit system

APPLICATION SECTORS



Railway and rail transport



Infrastructures



Naval sector and maritime transport



Renewable energies and green building



Food and beverage



Industrial and logistic plants



Commercial and service industry



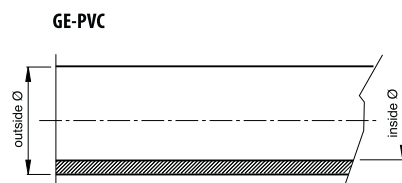
Automation and robotics



Machining and industrial processes



GE - PVC CONDUITS



Plain PVC flexible conduit suitable for generic applications and standard environments, it guarantees a moderate protection and a very high flexibility. It can be used with plastic or metallic connectors, and it provides a good resistance to oils and diluted acids.



Material:	Plasticized PVC (PVC-P)
Temperature:	-15°C +70°C
Heat resistance:	750°C (glow wire test)
Self-extinguishing:	Flame retardant
IP Protection index:	IP65 with Universale and 2000 Metal connectors IP67 with Delta connectors

CHEMICALS	RESISTANCE		
	LOW	MEDIUM	HIGH
Unleaded petrol		●	
Industrial detergent			●
Diesel oil	●		
Lubricant oil		●	
Emulsifying solution			●
Washing solvent	●		

NOTE: for installation in environments with particular chemical or corrosive substances, contact LEGRAND technical support.

Item	GE CONDUIT			Quantity (m)
	Nominal	Inside	Outside	
Blue				
3873 00	6	6	9	100
3873 01	8	8	13	100
3873 02	10	10	14	50
3873 03	12	12	15.5	50
3873 04	16	15.5	20.5	50
3873 05	21	20.5	26.6	50
3873 06	27	27	33.5	25
3873 07	35	34.5	41.5	25
3873 08	40	39.5	47.5	25
3873 09	47	47	56	25
3873 10	51	51	61	25
3873 11	58	58	68	25
		Diameter (mm)		
Black	Nominal	Inside	Outside	Quantity (m)
3873 20	6	6	9	100
3873 21	8	8	13	100
3873 22	10	10	14	50
3873 23	12	12	15.5	50
3873 24	16	15.5	20.5	50
3873 25	21	20.5	26.6	50
3873 26	27	27	33.5	25
3873 27	35	34.5	41.5	25
3873 28	40	39.5	47.5	25
3873 29	47	47	56	25
3873 30	51	51	61	25

Item	PVC CONDUIT			Quantity (m)
	Nominal	Inside	Outside	
Grey				
3873 40	6	6	9	100
3873 41	8	8	13	100
3873 42	10	10	14	50
3873 43	12	12	15.5	50
3873 44	16	15.5	20.5	50
3873 45	21	20.5	26.6	50
3873 46	27	27	33.5	25
3873 47	35	34.5	41.5	25
3873 48	40	39.5	47.5	25
3873 49	47	47	56	25
3873 50	51	51	61	25

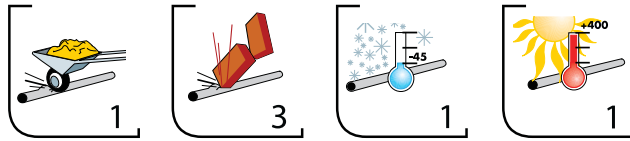
FX CONDUITS



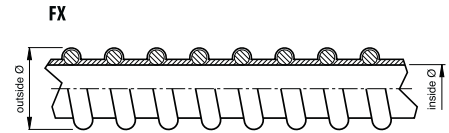
Spiral PVC flexible conduit suitable for generic applications and standard environments above all in residential or commercial applications. It guarantees a moderate protection and a high flexibility thanks to the spiral reinforcement which guarantees a good mechanical resistance.



Material:	Plasticized spiral PVC
Temperature:	+5°C +60°C
IEC classification:	1 3 1 1
Self-extinguishing:	Flame retardant
IP Protection index:	IP44 with Universale connectors. IP55 with MF Nylon connectors. IP42 with MG Nylon connectors.



Item	FX CONDUIT			Quantity (m)
	Diameter (mm)			
Grey RAL 7035	Nominal	Inside	Outside	
3851 50	10	10	14.5	50
3851 51	12	12	16.5	50
3851 52	13	13	17.5	50
3851 54	15	15	19.5	50
3851 55	16	16	20.5	50
3851 56	17	17	21.5	50
3851 57	20	20	24.5	50
3851 58	21	21	26	50
3851 59	25	25	30.5	50
3851 60	28	28	33	25
3851 61	32	32	38	25
3851 62	38	37.5	43.5	25
3851 63	40	40	46.5	25
3851 64	45	45	51	25
3851 65	50	50	57	25
3851 66	52	52	59	25



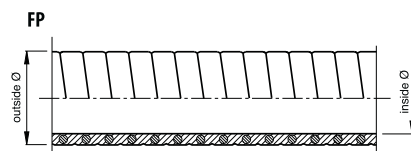
Item	FX CONDUIT			Quantity (m)
	Diameter (mm)			
Grey	Nominal	Inside	Outside	
3821 50	10	10	14.5	50
3821 51	12	12	16.5	50
3821 52	13	13	17.5	50
3821 54	15	15	19.5	50
3821 55	16	16	20.5	50
3821 56	17	17	21.5	50
3821 57	20	20	24.5	50
3821 58	21	21	26	50
3821 59	25	25	30.5	50
3821 60	28	28	33	25
3821 61	32	32	38	25
3821 62	38	37.5	43.5	25
3821 63	40	40	46.5	25
3821 64	45	45	51	25
3821 65	50	50	57	25
3821 66	52	52	59	25

Item	FX CONDUIT			Quantity (m)
	Diameter (mm)			
Black	Nominal	Inside	Outside	
3841 50	10	10	14.5	50
3841 51	12	12	16.5	50
3841 52	13	13	17.5	50
3841 54	15	15	19.5	50
3841 55	16	16	20.5	50
3841 56	17	17	21.5	50
3841 57	20	20	24.5	50
3841 58	21	21	26	50
3841 59	25	25	30.5	50
3841 60	28	28	33	25
3841 61	32	32	38	25
3841 62	38	37.5	43.5	25
3841 63	40	40	46.5	25
3841 64	45	45	51	25
3841 65	50	50	57	25
3841 66	52	52	59	25

CHEMICALS	RESISTANCE		
	LOW	MEDIUM	HIGH
Unleaded petrol		●	
Industrial detergent			●
Diesel oil	●		
Lubricant oil		●	
Emulsifying solution			●
Washing solvent	●		

NOTE: for installation in environments with particular chemical or corrosive substances, contact LEGRAND technical support.

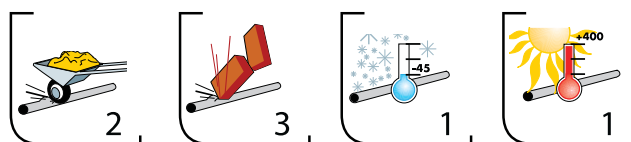
FP CONDUITS



Spiral heavy PVC flexible conduit suitable for several applications and standard environments, it guarantees a good protection, thanks to his thickness, and an high flexibility. The plain internal surface helps the cables sliding.



Material:	Plasticized PVC
Temperature:	+5°C +60°C
IEC classification:	2 3 1 1
Self-extinguishing:	Flame retardant
IP Protection index:	IP55 with MF Nylon connectors. IP44 with Universale connectors. IP42 with MG Nylon connectors

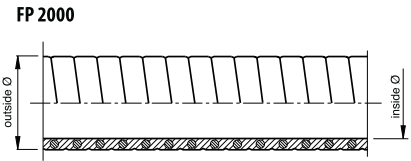


CHEMICALS	RESISTANCE		
	LOW	MEDIUM	HIGH
Unleaded petrol		●	
Industrial detergent			●
Diesel oil			●
Lubricant oil		●	
Emulsifying solution			●
Washing solvent		●	

NOTE: for installation in environments with particular chemical or corrosive substances, contact LEGRAND technical support.

Item	FP CONDUIT			Quantity (m)
	Nominal	Inside	Outside	
Grey				
3874 60	10	10	14.5	50
3874 61	13	13	17.5	50
3874 62	15	15	19.5	50
3874 63	21	21	25.5	50
3874 64	28	28	33	25
3874 65	38	37.5	43.5	25
3874 66	45	45	51	25
3874 67	52	52	59	25
	Diameter (mm)			Quantity (m)
Black	Nominal	Inside	Outside	
3874 70	10	10	14.5	50
3874 71	13	13	17.5	50
3874 72	15	15	19.5	50
3874 73	21	21	25.5	50
3874 74	28	28	33	25
3874 75	38	37.5	43.5	25
3874 76	45	45	51	25
3874 77	52	52	59	25

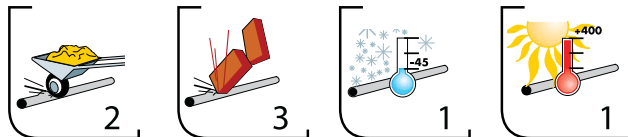
FP 2000 CONDUITS



Spiral heavy PVC flexible conduit suitable for several applications and standard environments, it guarantees good protection and good resistances, thanks to his thickness, and an high flexibility. The plain internal surface helps the cables sliding. It can be used with plastic or metal connectors.



Material:	Plasticized PVC
Temperature:	+5°C +60°C
IEC classification:	2 3 1 1
Self-extinguishing:	Flame retardant
IP Protection index:	IP44 with Universale connectors. IP66 with 2000 Metal connectors



CHEMICALS	RESISTANCE		
	LOW	MEDIUM	HIGH
Unleaded petrol		●	
Industrial detergent			●
Diesel oil			●
Lubricant oil		●	
Emulsifying solution			●
Washing solvent		●	

NOTE: for installation in environments with particular chemical or corrosive substances, contact LEGRAND technical support.

Item	FP 2000 CONDUIT			Quantity (m)
	Nominal	Inside	Outside	
Grey				
3875 60	10	10	15.5	50
3875 61	12	12.5	17.5	50
3875 62	16	16	21	50
3875 63	21	21	26	50
3875 64	27	27	33.5	25
3875 65	35	35.5	42.5	25
3875 66	40	40.5	48.5	25
3875 67	51	52	60.5	25
		Diameter (mm)		
Black	Nominal	Inside	Outside	Quantity (m)
3875 70	10	10	15.5	50
3875 71	12	12.5	17.5	50
3875 72	16	16	21	50
3875 73	21	21	26	50
3875 74	27	27	33.5	25
3875 75	35	35.5	42.5	25
3875 76	40	40.5	48.5	25
3875 77	51	52	60.5	25

GE TR STEEL BRAIDED FLEXIBLE CONDUITS

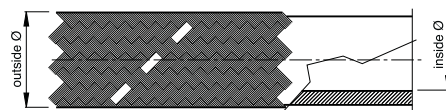


3873 63

Plain PVC flexible conduit covered with a galvanized steel braid. Suitable for applications in specific environments: thanks to the external steel braid it provides a good protection with flames, sparks, processing or tooling residues and wastes. It's the ideal solution to ensure the protection of electrical installations.



GE TR



Material:	Plasticized PVC (PVC-P), covered with a Galvanized steel braid.
Temperature:	-15°C +70°C
Self-extinguishing:	Flame retardant
IP Protection index:	IP67 with Delta connector. IP65 2000 Metal connector.

CHEMICALS	RESISTANCE		
	LOW	MEDIUM	HIGH
Unleaded petrol		●	
Industrial detergent			●
Diesel oil			●
Lubricant oil		●	
Emulsifying solution			●
Washing solvent		●	

NOTE: for installation in environments with particular chemical or corrosive substances, contact LEGRAND technical support.

Item

GE TR CONDUIT

Item	Diameter (mm)			Quantity (m)
	Nominal	Inside	Outside	
3873 60	10	10	15.5	50
3873 61	12	12	17.5	50
3873 61	16	15.5	21.5	50
3873 63	21	20.5	26.5	50
3873 64	27	27	35	25
3873 65	35	34.5	45	25
3873 66	40	39.5	50	25
3873 67	47	47	57	25
3873 68	58	58	70	25

PLASTIC CONNECTORS FOR PVC FLEXIBLE CONDUITS



UV resistant



3829 25

Fixed male connector made in high quality polyamide reinforced with glass fibre. It can be used with all PVC conduits and it provides good mechanical and thermal performances and good resistance to vibration and weathering. It is suitable for most applications.

Material:	Polyamide PA6 [UL94-V0] reinforced with glass fibre.
Temperature:	-20°C +80°C
Heat resistance:	850°C (glow wire test)
IP Protection index:	IP65 with GE-PVC conduits. IP44 with FX - FP - FP2000 conduits.

Item	ISO THREAD	Conduit diameter (mm)		Quantity (pcs)
		Inside min	Outside max	
Black				
3829 51	Nominal M16x1.5	10	16	75
3829 52	M16x1.5	12	18	75
3829 53	M20x1.5	12	18	75
3829 54	M20x1.5	15	21.5	30
3829 55	M25x1.5	20	26.5	30
3829 56	M32x1.5	27	33.5	15
3829 57	M32x1.5	25	30.5	15
3829 58	M32x1.5	32	40	10
3829 59	M40x1.5	39	50	10
3829 60	M50x1.5	44	53.5	8
3829 98	M50x1.5	50	61	5
Grey				
Conduit diameter (mm)				
	Nominal	Inside min	Outside max	Quantity (pcs)
3829 20	M12x1.5	8	15	75
3829 21	M16x1.5	10	16	75
3829 22	M16x1.5	12	18	75
3829 23	M20x1.5	12	18	75
3829 24	M20x1.5	15	21.5	30
3829 25	M25x1.5	20	26.5	30
3829 26	M32x1.5	27	33.5	15
3829 27	M32x1.5	25	30.5	15
3829 28	M32x1.5	32	40	10
3829 79	M40x1.5	34.5	41.5	10
3829 29	M40x1.5	39	50	10
3829 30	M50x1.5	44	53.5	8
3829 97	M50x1.5	50	61	5
RAL 7035				
Conduit diameter (mm)				
	Nominal	Inside min	Outside max	Quantity (pcs)
3829 81	M16x1.5	10	16	75
3829 82	M16x1.5	12	18	75
3829 83	M20x1.5	12	18	75
3829 84	M20x1.5	15	21.5	30
3829 85	M25x1.5	20	26.5	30
3829 86	M32x1.5	27	33.5	15
3829 87	M32x1.5	25	30.5	15
3829 88	M32x1.5	32	40	10
3829 89	M40x1.5	39	50	10
3829 90	M50x1.5	44	53.5	8
3829 99	M50x1.5	50	61	5
3829 80	M63x1.5	50	61	10

According to UNI 5542-65

NOTE: minimum recommended conduit thickness: 2 mm

Item	PG THREAD	Conduit diameter (mm)		Quantity (pcs)
		Inside min	Outside max	
Black				
	Thread	Inside min	Outside max	Quantity (pcs)
3829 41	PG9	10	16	75
3829 42	PG11	12	18	75
3829 43	PG13.5	12	18	75
3829 44	PG13.5	15	21.5	30
3829 45	PG16	15	21.5	30
3829 46	PG21	20	26.5	30
3829 47	PG29	27	33.5	15
Grey				
Conduit diameter (mm)				
	Thread	Inside min	Outside max	Quantity (pcs)
3829 00	PG7	8	15	75
3829 48	PG7	10	16	75
3829 11	PG9	10	16	75
3829 49	PG11	10	16	75
3829 50	PG13.5	10	16	75
3829 12	PG11	12	18	75
3829 13	PG13.5	12	18	75
3829 14	PG13.5	15	21.5	30
3829 15	PG16	15	21.5	30
3829 16	PG21	20	26.5	30
3829 17	PG29	27	33.5	15
3829 18	PG36	34.5	41.5	10
RAL 7035				
Conduit diameter (mm)				
	Thread	Inside min	Outside max	Quantity (pcs)
3829 71	PG9	10	16	75
3829 72	PG11	12	18	75
3829 73	PG13.5	12	18	75
3829 74	PG13.5	15	21.5	30
3829 75	PG16	15	21.5	30
3829 76	PG21	20	26.5	30
3829 77	PG29	27	33.5	15

According to DIN 40430

PLASTIC CONNECTORS FOR PVC FLEXIBLE CONDUITS



UV resistant



3829 16

Fixed male connector made in high quality polyamide reinforced with glass fibre. It can be used with all PVC conduits and it provides good mechanical and thermal performances and good resistance to vibration and weathering. It is suitable for most applications.

Material:	Polyamide PA6 [UL94-V0] reinforced with glass fibre.
Temperature:	-20°C +80°C
Heat resistance:	850°C (glow wire test)
IP Protection index:	IP65 with GE-PVC conduits. IP44 with FX - FP - FP2000 conduits.

NOTE: minimum recommended conduit thickness: 2 mm

Item

GAS THREAD

Item	Thread	Conduit diameter (mm)		Quantity (pcs)
		Inside min	Outside max	
3829 31	G1/4	10	16	75
3829 32	G3/8	10	16	75
3829 33	G3/8	12	18	75
3829 34	G1/2	12	18	75
3829 35	G1/2	15	21.5	30
3829 36	G3/4	20	26.5	30
3829 37	G1	27	33.5	15
3829 38	G1	25	30.5	15
3829 39	G1	32	40	10
3829 40	G1 1/4	39	50	10
3829 93	G1 1/2	44	53.5	8
3829 94	G2	50	61	5

Item	Thread	Conduit diameter (mm)		Quantity (pcs)
		Inside min	Outside max	
3829 78	G1/4	6	9	75
3829 01	G1/4	10	16	75
3829 02	G3/8	10	16	75
3829 03	G3/8	12	18	75
3829 04	G1/2	12	18	75
3829 05	G1/2	15	21.5	30
3829 06	G3/4	20	26.5	30
3829 07	G1	27	33.5	15
3829 08	G1	25	30.5	15
3829 09	G1	32	40	10
3829 10	G1 1/4	39	50	10
3829 91	G1 1/2	44	53.5	8
3829 92	G2	50	61	5

Item	Thread	Conduit diameter (mm)		Quantity (pcs)
		Inside min	Outside max	
3829 61	G1/4	10	16	75
3829 62	G3/8	10	16	75
3829 63	G3/8	12	18	75
3829 64	G1/2	12	18	75
3829 65	G1/2	15	21.5	30
3829 66	G3/4	20	26.5	30
3829 67	G1	27	33.5	15
3829 68	G1	25	30.5	15
3829 69	G1	32	40	10
3829 60	G1 1/4	39	50	10
3829 95	G1 1/2	44	53.5	8
3829 96	G2	50	61	5

According to UNI-ISO 228/1

MF NYLON CONNECTORS



One-piece fixed male polyamide connector for spiral PVC conduits. It ensures good mechanical and thermal performance and it can be used to protect electrical installations in standard environments.

Material:	Polyamide PA6 [UL94-V0] reinforced with glass fibre.
Temperature:	-20°C +80°C
Heat resistance:	850°C (glow wire test)
IP Protection index:	IP55 with FX and FP conduits.

Item	PG THREAD		
Grey	Thread	Nominal diameter (mm)	Quantity (pcs)
3815 21	PG9	10	100
3815 22	PG11	13	100
3815 23	PG13.5	13	100
3815 24	PG13.5	15	50
3815 25	PG16	15	50
3815 26	PG16	17	50
3815 27	PG21	21	50
3815 28	PG29	28	40
3815 29	PG36	38	25
3815 30	PG42	45	20
3815 31	PG48	52	10

According to DIN 40430

Item	GAS THREAD		
Grey	Thread	Nominal diameter (mm)	Quantity (pcs)
3815 01	G1/4	10	100
3815 02	G3/8	10	100
3815 03	G1/2	13	100
3815 04	G1/2	15	50
3815 05	G3/4	21	50
3815 06	G1	28	25
3815 07	G1 1/4	38	25
3815 08	G1 1/2	45	18
3815 09	G2	52	10

According to UNI-ISO 228/1

MG NYLON CONNECTORS



UV resistant



3816 94



3814 67

One-piece fixed male polyamide connector for spiral PVC conduits. It ensures good mechanical and thermal performance and it can be used to protect electrical installations in standard environments.

Material:	Polyamide PA6 [UL94-V0] reinforced with glass fibre.
Temperature:	-20°C +80°C
Heat resistance:	850°C (glow wire test)
IP Protection index:	IP42 with FX and FP conduits.

Item	ISO THREAD	Thread	Nominal diameter (mm)	Quantity (pcs)
Black				
3816 91	M16X1.5	10	100	
3816 92	M20X1.5	13	100	
3816 93	M20X1.5	15	50	
3816 94	M25X1.5	21	50	
3816 95	M32X1.5	28	20	

According to UNI 5542-65

Black	GAS THREAD	Thread	Nominal diameter (mm)	Quantity (pcs)
3816 52	G1/4	10	100	
3816 53	G3/8	10	100	
3816 54	G1/2	10	100	
3816 55	G1/2	13	100	
3816 56	G1/2	15	50	
3816 57	G3/4	21	50	
3816 58	G1	28	40	
3816 59	G1 1/4	38	25	
3816 60	G1 1/2	45	18	
3816 61	G2	52	10	

Grey	Thread	Nominal diameter (mm)	Quantity (pcs)
3816 02	G1/4	10	100
3816 03	G3/8	10	100
3816 04	G1/2	10	100
3816 05	G1/2	13	100
3816 06	G1/2	15	50
3816 07	G3/4	21	50
3816 08	G1	28	40
3816 09	G1 1/4	38	25
3816 10	G1 1/2	45	18
3816 11	G2	52	10

RAL 7035	Thread	Nominal diameter (mm)	Quantity (pcs)
3814 63	G3/8	10	100
3814 64	G1/2	10	100
3814 65	G1/2	13	100
3814 66	G1/2	15	50
3814 67	G3/4	21	50
3814 68	G1	28	40
3814 69	G1 1/4	38	25
3814 70	G1 1/2	45	18
3814 71	G2	52	10

According to UNI-ISO 228/1

Item	PG THREAD	Thread	Nominal diameter (mm)	Quantity (pcs)
Black				
3816 72	PG9	10	100	
3816 73	PG11	10	100	
3816 74	PG13.5	10	100	
3816 75	PG11	13	100	
3816 76	PG13.5	13	100	
3816 77	PG13.5	15	50	
3816 78	PG16	15	50	
3816 79	PG16	17	50	
3816 80	PG21	21	50	
3816 81	PG29	28	40	
3816 82	PG36	38	25	
3816 83	PG42	45	18	
3816 84	PG48	52	10	

Grey	Thread	Nominal diameter (mm)	Quantity (pcs)
3816 22	PG9	10	100
3816 23	PG11	10	100
3816 24	PG13.5	10	100
3816 25	PG11	13	100
3816 26	PG13.5	13	100
3816 27	PG13.5	15	50
3816 28	PG16	15	50
3816 29	PG16	17	50
3816 30	PG21	21	50
3816 31	PG29	28	40
3816 32	PG36	38	25
3816 33	PG42	45	18
3816 34	PG48	52	10

RAL 7035	Thread	Nominal diameter (mm)	Quantity (pcs)
3814 82	PG9	10	100
3814 83	PG11	10	100
3814 84	PG13.5	10	100
3814 85	PG11	13	100
3814 86	PG13.5	13	100
3814 87	PG13.5	15	50
3814 88	PG16	15	50
3814 89	PG16	17	50
3814 90	PG21	21	50
3814 91	PG29	28	40
3814 92	PG36	38	25
3814 93	PG42	45	18
3814 94	PG48	52	10

According to DIN 40430