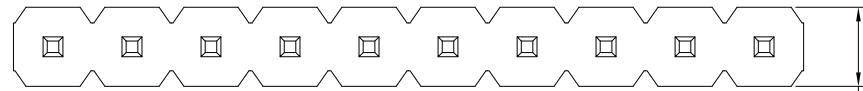
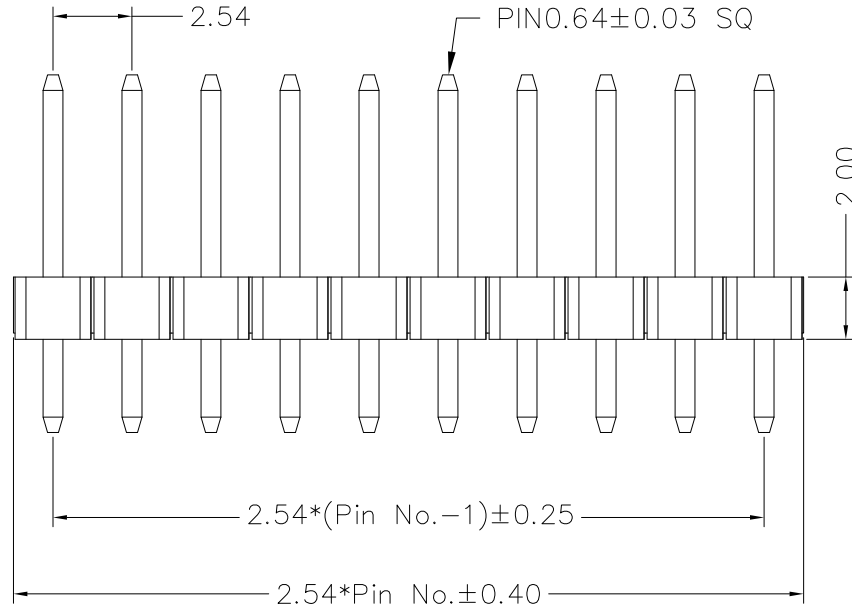


| REV. | ECN Number | Description | Drawn |
|------|------------|-------------|------------------|
| 1 | CS19120194 | RELEASE | WSY_2019. 12. 12 |



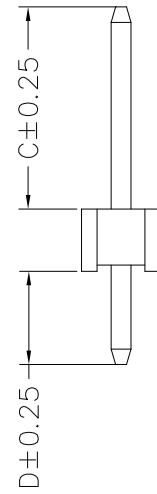
2.54



2.54

PIN 0.64±0.03 SQ

2.00



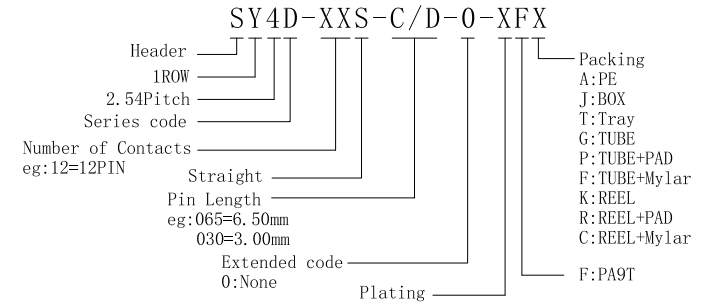
D±0.25

2.54*(Pin No.-1)±0.25

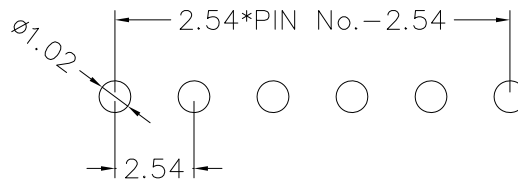
2.54*Pin No.±0.40

Specifications
 Current Rating: 3Amp
 Insulation Resistance: 1000MΩ Min.
 Dielectric Withstanding: 500V AC/DC
 Contact Resistance: 20mΩ Max.
 Operating Temperature: -40°C to +125°C

Materials
 Contact Material: Brass
 Insulation Material: PA9T, UL 94V-0
 All materials should comply with the "ROHS2.0" requirement
 Product Number Matrix:



| Definition | Code |
|----------------------------|------|
| ⊙Matte Tin plated | A |
| ⊙Bright Tin plated | V |
| ⊙Gold plated over all | |
| Flash B 1u" R 2u" C | |
| 5u" D 10u" E 15u" F | |
| 20u" G 25u" H 30u" J | |
| ⊙Duplex plated | |
| Flash K 1u" S 3u" L | |
| 5u" M 10u" N 15u" P | |
| 20u" Q 25u" T 30u" U | |
| ⊙ All plated is lead free. | |



Recommended P.C.B Layout

Tolerance: ±0.05mm



| TOLERANCE UNLESS OTHERWISE SPECIFIED | | | |
|--------------------------------------|-------|-------|-----|
| X.X | ±0.25 | X.° | ±3° |
| X.XX | ±0.15 | X.X° | ±2° |
| X.XXX | ±0.05 | X.XX° | ±1° |

| | |
|-------|-----|
| SCALE | 1:1 |
| UNIT | mm |
| SIZE | A4 |

ORIGINAL DRAWN:
Wu shuying
 CHECK:
Xu peiguang
 APPROVE:
Ady zhou

DATE
2019. 12. 12
 DATE
2019. 12. 12
 DATE
2019. 12. 12

DWG. NO.
461-0000-0159
 PARTS NO. (INTENDED USE)
SY4D-XXS-C/D-0-XXF

TITLE
CUSTOMER DRAWING
2.54PH, DIP, HEADER

REV.
1
 SHEET
1/1