

REV.	ECN Number	Description	Drawn
1	CS18110122	RELEASE	ZW_2018. 11. 19

Specifications  
 Current Rating: 2Amp  
 Insulation Resistance: 5000MΩ Min  
 Dielectric Withstanding: 500V AC  
 Contact Resistance: 20mΩ Max.  
 Operating Temperature:-40° C to +105° C

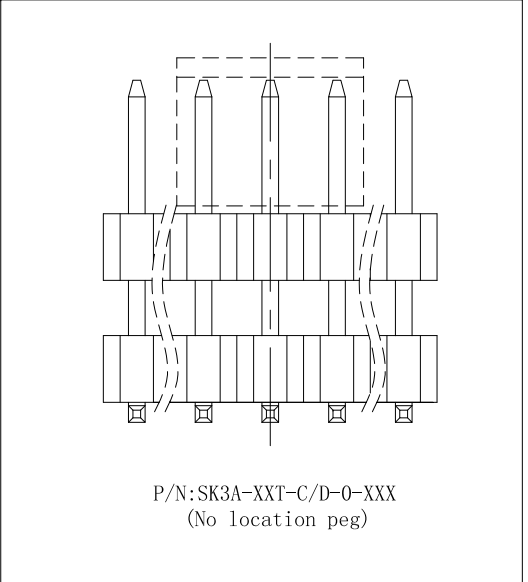
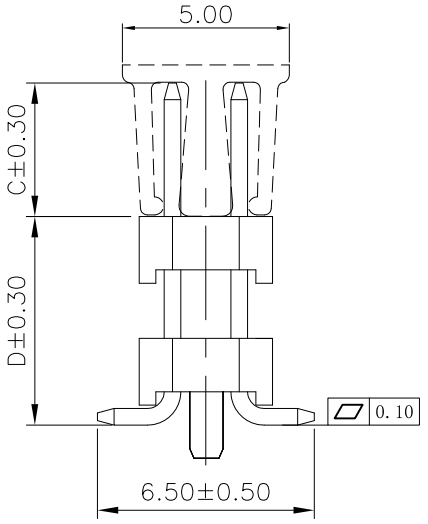
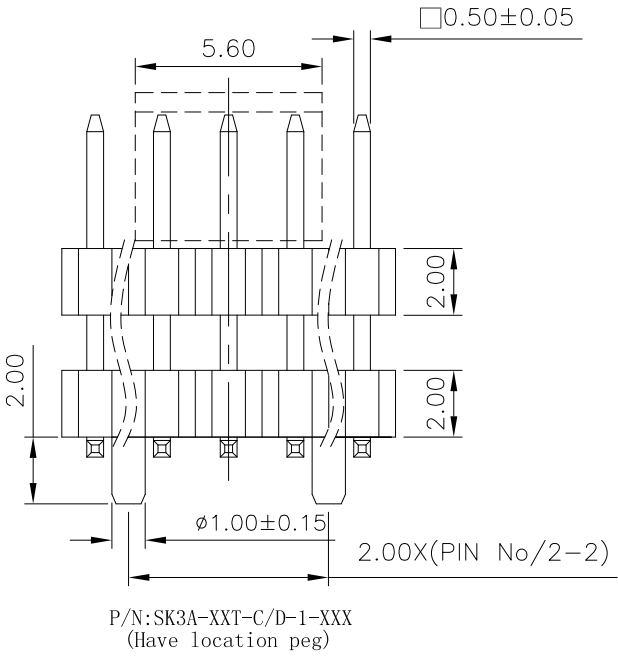
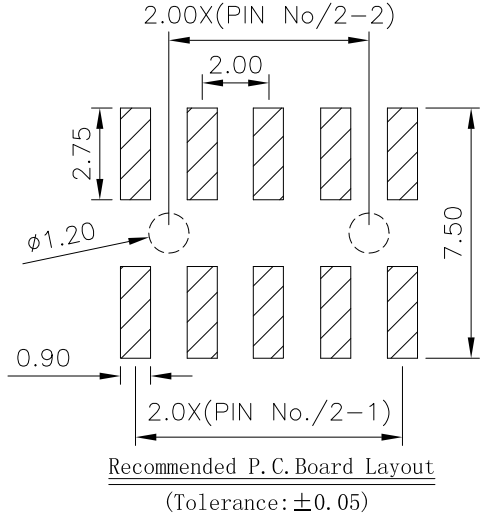
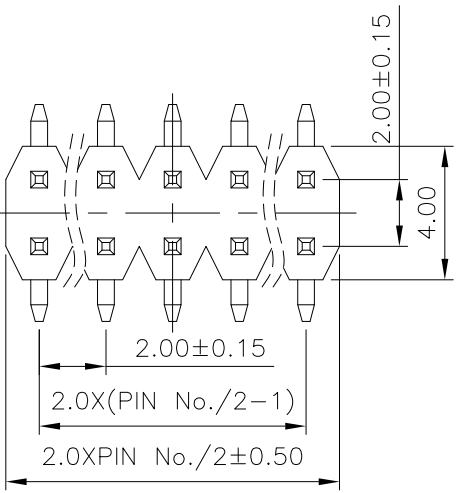
Materials  
 Contact Material:Brass  
 Insulation Material: Thermoplastic, UL 94V-0  
 All materials should comply with the "RoHS2.0"  
 requirement

PRODUCT NUMBER MATRIX:  
 SK3A-XXT-C/D-X-XXX  
 Header  
 K:2Row, 2Layer  
 3:2.00Pitch  
 Series code  
 PIN NO.  
 eg:20=20PIN  
 T: SMT  
 PIN Length  
 030=3.00mm  
 Extended code  
 0:No location peg  
 1:Have location peg

PACKING	
A:PE	C:REEL+MYLAR
J:BOX	B:REEL+MPAD
G:TUBE	R:REEL+PAD
P:TUBE+PAD	T:TRAY
E:TUBE+MPAD	N:TRAY+MYLAR
F:TUBE+MYLAR	D:TRAY+MPAD
K:REEL	M:TRAY+PAD

NULL:THERMOPLASTIC PLASTIC  
 F:HIGH TEMPERATURE PLASTIC  
 H:HALOGEN FREE PLASTIC

Definition	Code
⊙ Matte Tin plated	A
⊙ Bright Tin plated	V
⊙ Gold plated over all	
flash B 1u" R 3u" C	
5u" D 10u" E 15u" F	
20u" G 25u" H 30u" J	
⊙ Duplex plated	
flash K 1u" S 3u" L	
5u" M 10u" N 15u" P	
20u" Q 25u" T 30u" U	
⊙ All plated is lead free.	



TOLERANCE UNLESS OTHERWISE SPECIFIED			
X.X	±0.30	X.°	±3°
X.XX	±0.20	X.X°	±2°
X.XXX		X.XX°	±1°

SCALE	1:1
UNIT	mm
SIZE	A4

ORIGINAL DRAWN: ZW  
 CHECK: XPG  
 APPROVE: Ady zhou

DATE 2018. 11. 19  
 DATE 2018. 11. 19  
 DATE 2018. 11. 19

DWG. NO. 461-0000-0108  
 PARTS NO. (INTENDED USE) SK3A-XXT-C/D-X-XXX

TITLE  
 CUSTOMER DRAWING  
 2.00PH, SMT, HEADER

REV. 1  
 SHEET 1/1