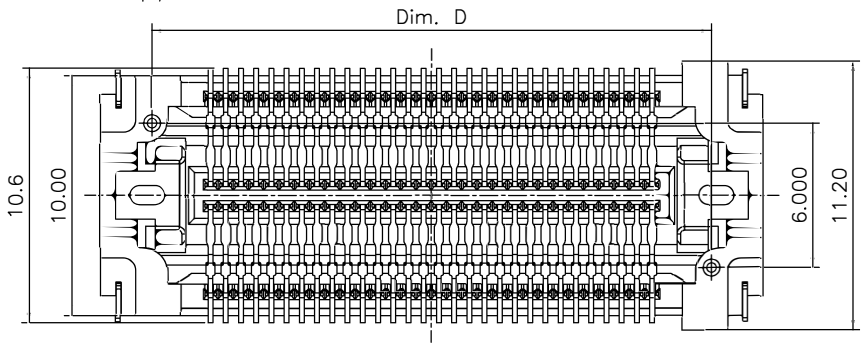
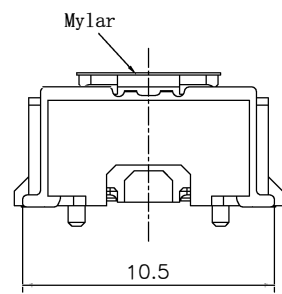
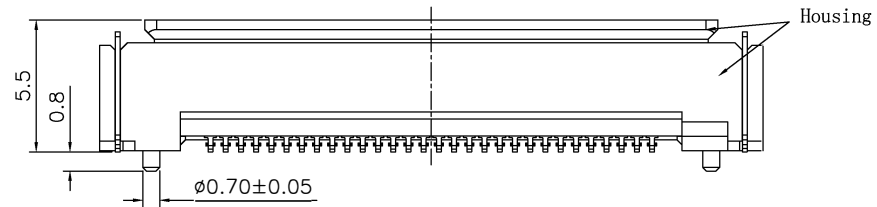
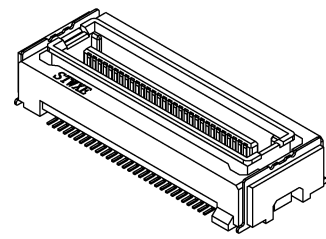
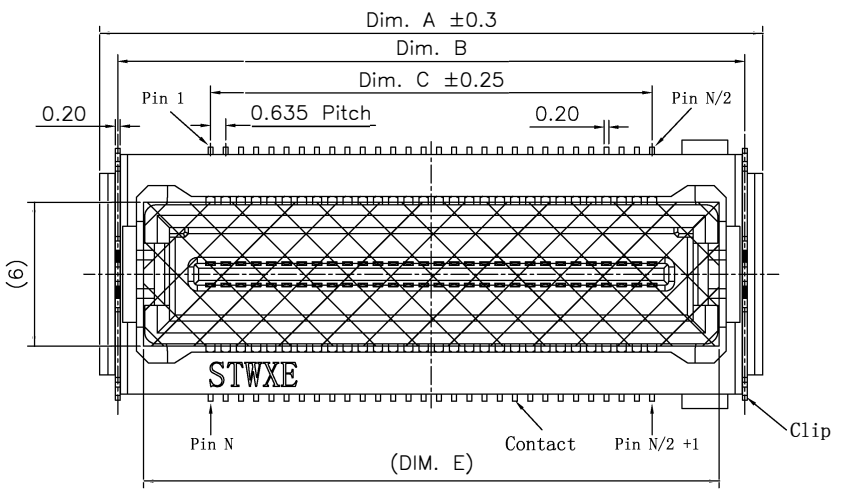


REV.	ECN Number	Description	Drawn
1	CS20060083	RELEASE	Peak_2020.05.23



NOTES:

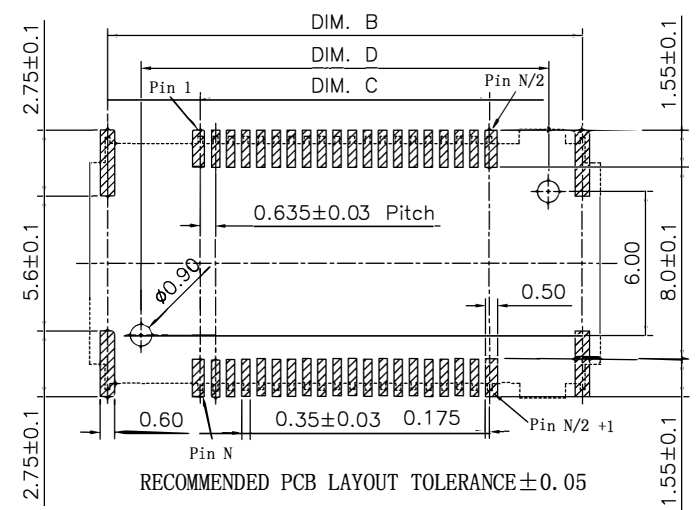
- MATERIAL:  
HOUSING : HIGH TEMPERATURE PLASTICS.  
CONTACT : COPPER ALLOY.  
CLIP : COPPER ALLOY.
- PRODUCT NUMBER MATRIX:

B C 3 1-XX A T-2 B -X X X  
 BTB Series Code  
 0.635 Pitch  
 Plug  
 Pin No.  
 40=40Pin .....  
 60=60Pin 80=80Pin  
 Height  
 A: H=5.5mm  
 Soldering Type  
 T:SMT  
 Housing Color  
 B:Black

Packing:  
 C:Reel+Mylar  
 U:Hot Sealing Reel+Mylar  
 H:Halogen Free  
 F:High Temperature Thermoplastic  
 Contact Plating

Definition	Code
◎ Gold plated over all	
flash B	1u" R 3u" C
5u" D	10u" E 15u" F
20u" G	25u" H 30u" J
◎ Duplex plated	
flash K	1u" S 3u" L
5u" M	10u" N 15u" P
20u" Q	25u" T 30u" U

PIN NO.	DIM. A	DIM. B	DIM. C	DIM. D	DIM. E (Mylar)
40	21.30	19.80	12.065	17.00	17.65
60	27.65	26.15	18.415	23.35	24.00
80	34.00	32.50	24.765	29.70	30.35



TOLERANCE UNLESS OTHERWISE SPECIFIED

	±0.30	X. °	±3°
X. X			
X. XX	±0.20	X. X°	±2°
X. XXX	±0.10	X. XX°	±1°

SCALE 1:1

UNIT mm

SIZE A4

ORIGINAL DRAWN: Peak

DATE 2020.05.23

CHECK: Xu peiguang

DATE 2020.05.23

APPROVE: Ady Zhou

DATE 2020.05.23

DWG. NO. 600-0000-0508

PARTS NO. (INTENDED USE) BC31-XXAT-2B-XXX

TITLE 0.635Pitch Floating BTB Plug SMT

REV. 1

SHEET 1/1