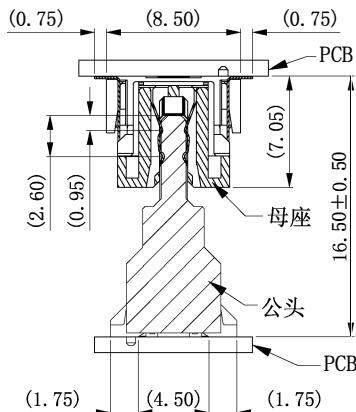
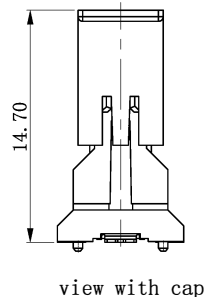
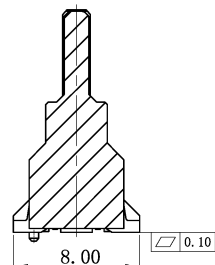
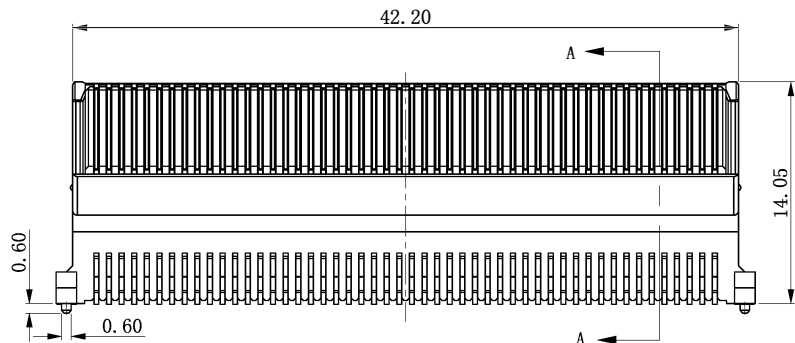
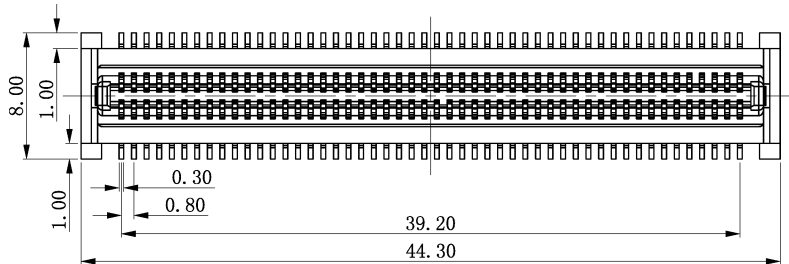


100PIN: BB41-A0XT-1B-XHR



(公母合高)

X方向浮动量: ±0.5
Y方向浮动量: ±0.5
Z方向浮动量: ±0.5

- NOTES:
- HOUSING MATERIAL: HIGH TEMPERATURE PLASTICS BLACK, UL94V-0.
 - CONTACT MATERIAL: COPPER ALLOY.
 - RATING VOLTAGE: 50V AC/DC
 - CONTACT RESISTANCE: 80 m ohms MAX, INITIAL.
 - DIELECTRIC WITHSTANDING VOLTAGE: 500V AC rms./MINUTE.
 - INSULATION RESISTANCE: 100 M ohms MIN.
 - CURRENT RATING: 0.5 AMPERE.
 - DURABILITY: 30 CYCLES MIN.
 - INSERTION FORCE: 150g MAX. PER CONTACT.
 - WITHDRAW FORCE: 8.5g MIN. PER CONTACT.
 - OPERATING TEMPERATURE RANGE: -40° C~+105° C
 - STORAGE TEMPERATURE RANGE: -40° C~+105° C
 - ALL HARMFUL SUBSTANCES SHOULD BE COMPLIANT WITH THE ROHS2.0 REQUIREMENTS.
 - PRODUCT NUMBER MATRIX:

Pitch: 0.80mm BB41-XXXT-1B-XHR

Male

PIN NO.

Height flow code:

SMT TYPE

packaging: REEL+PAD

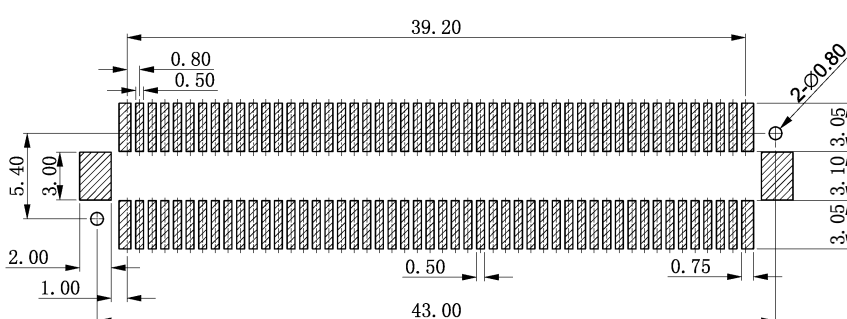
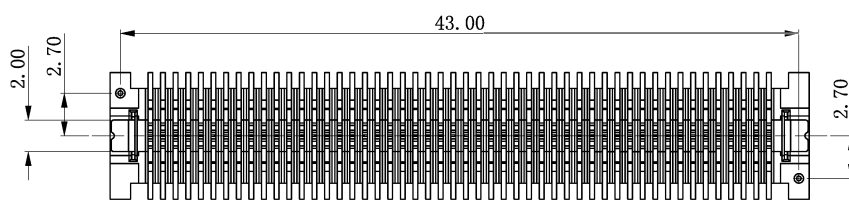
Halogen-free high temperature material

Electroplating code

◎ Duplex plated					
flash	K	1u"	S	3u"	L
5u"	M	10u"	N	15u"	P
20u"	Q	25u"	T	30u"	U

Colour: black

Extended code



RECOMMENDED PCB LAYOUT
TOLERANCE: ±0.05mm



TOLERANCE UNLESS OTHERWISE SPECIFIED

X.X	±0.30	X.°	±3°
X.XX	±0.20	X.X°	±2°
X.XXX		X.XX°	±1°

SCALE 1:1
UNIT mm
SIZE A4



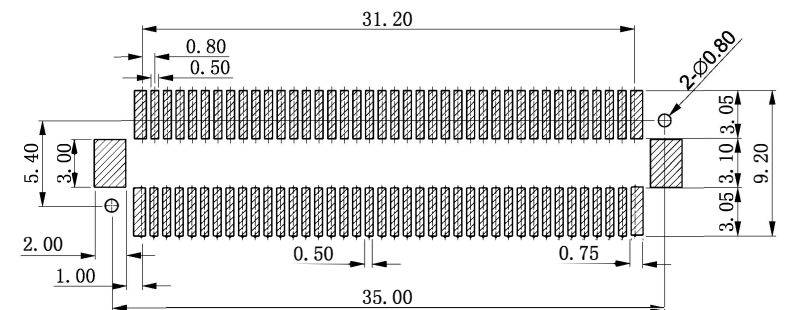
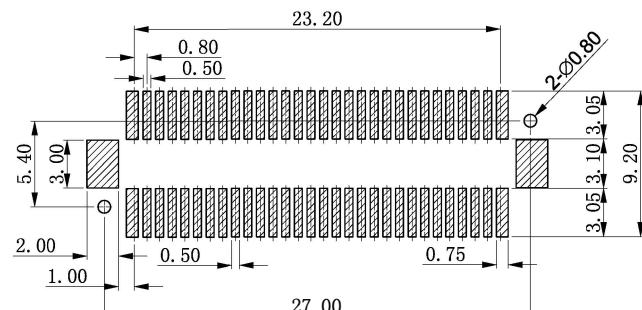
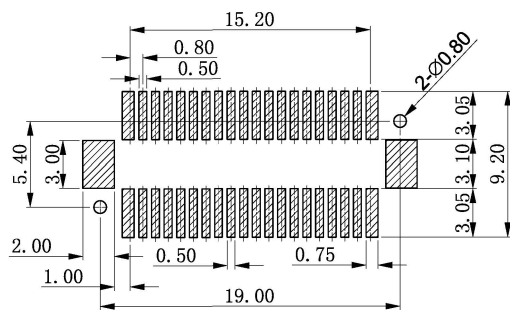
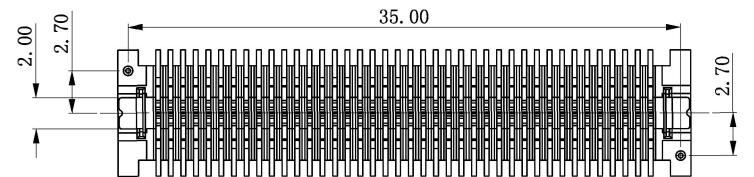
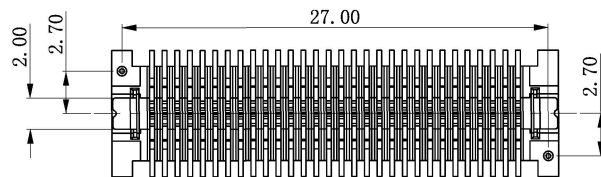
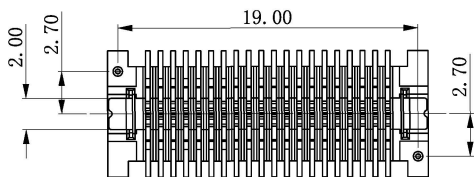
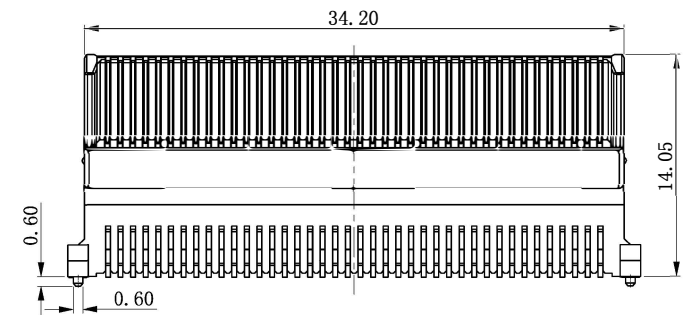
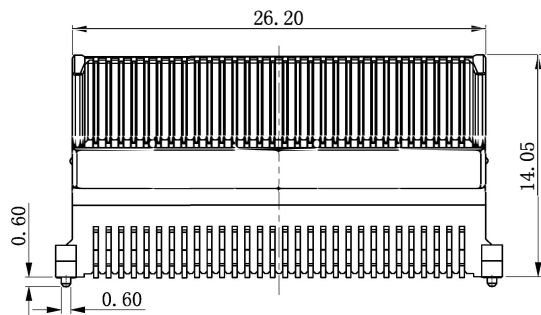
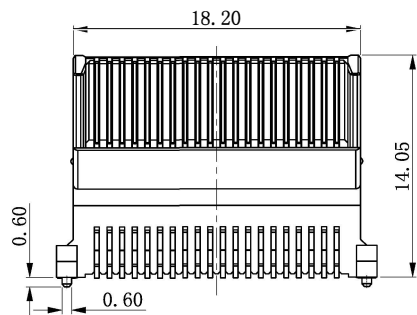
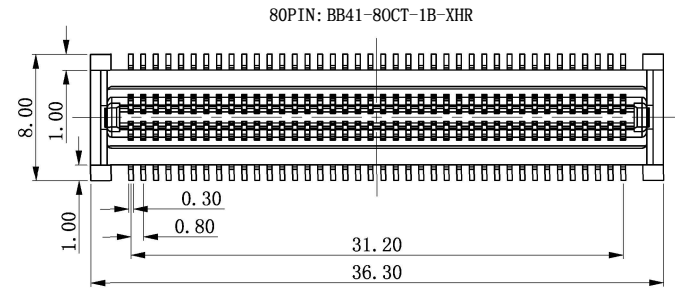
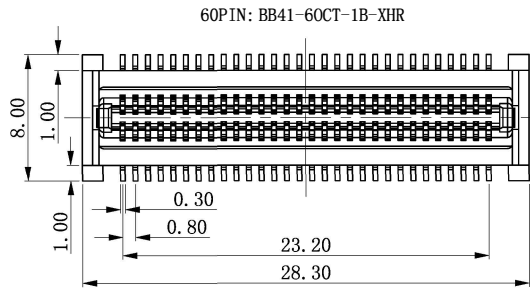
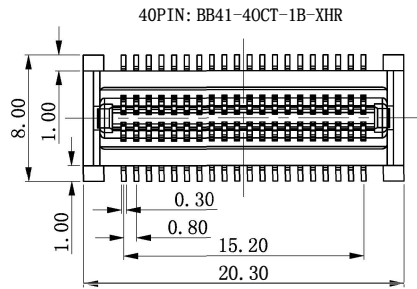
ORIGINAL DRAWN: Qinghua Fu
CHECK: Guangyu Guo
APPROVE: Ady Zhou

DATE 2020.10.12
DATE 2020.10.12
DATE 2020.10.12

DWG. NO. 600-0000-0227
PARTS NO. (INTENDED USE) BB41-XXXT-1B-XHR

TITLE CUSTOMER DRAWING

REV. 3
SHEET 1/6



RECOMMENDED PCB LAYOUT
TOLERANCE: $\pm 0.05\text{mm}$

RECOMMENDED PCB LAYOUT
TOLERANCE: $\pm 0.05\text{mm}$

RECOMMENDED PCB LAYOUT
TOLERANCE: $\pm 0.05\text{mm}$



TOLERANCE UNLESS OTHERWISE SPECIFIED			
X.X	± 0.30	X.°	$\pm 3^\circ$
X.XX	± 0.20	X.X°	$\pm 2^\circ$
X.XXX		X.XX°	$\pm 1^\circ$

SCALE	1:1
UNIT	mm
SIZE	A4



ORIGINAL DRAWN:
Qinghua Fu
CHECK:
Guangyu Guo
APPROVE:
Ady Zhou

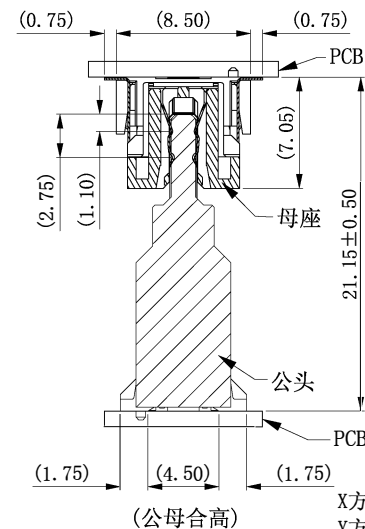
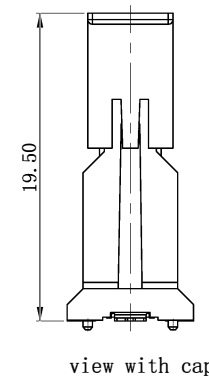
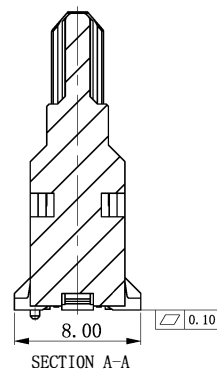
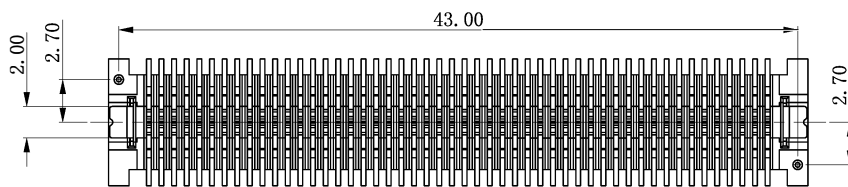
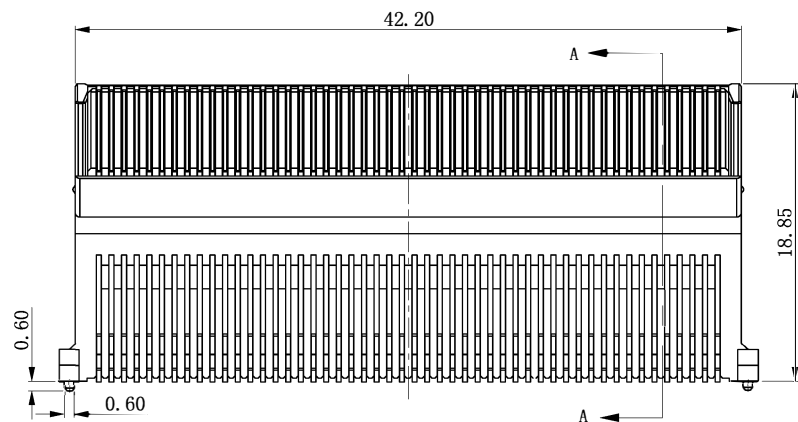
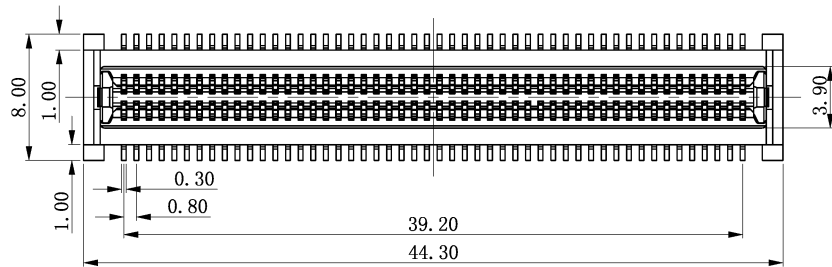
DATE
2020.10.12
DATE
2020.10.12
DATE
2020.10.12

DWG. NO.
600-0000-0227
PARTS NO. (INTENDED USE)
BB41-XXXT-1B-XHR

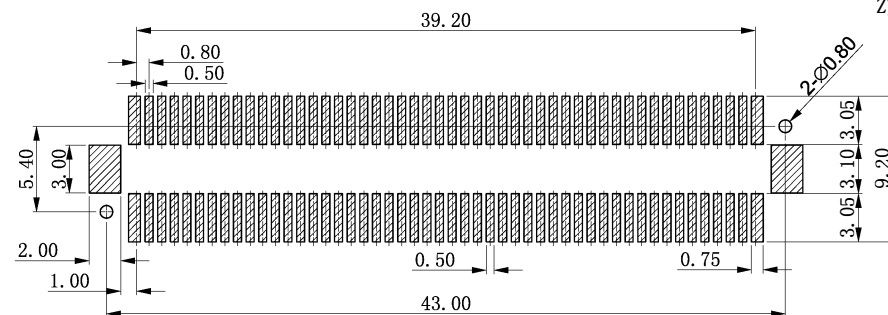
TITLE
CUSTOMER DRAWING

REV.
3
SHEET
2/6

100PIN: BB41-AOBT-1B-XHR



X方向浮动量: ±0.5
Y方向浮动量: ±0.5
Z方向浮动量: ±0.5



RECOMMENDED PCB LAYOUT
TOLERANCE: ±0.05mm



TOLERANCE UNLESS OTHERWISE SPECIFIED

X.X	±0.30	X.°	±3°
X.XX	±0.20	X.X°	±2°
X.XXX		X.XX°	±1°

SCALE	1:1
UNIT	mm
SIZE	A4

ORIGINAL DRAWN:
Qinghua Fu
CHECK:
Guangyu Guo
APPROVE:
Ady Zhou

DATE
2020.10.12
DATE
2020.10.12
DATE
2020.10.12

DWG. NO.
600-0000-0227
PARTS NO. (INTENDED USE)
BB41-XXXT-1B-XHR

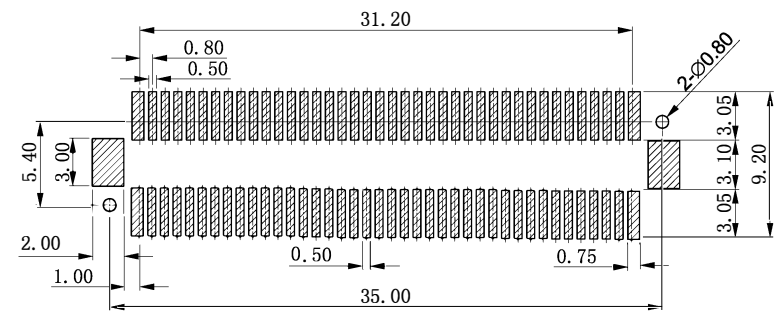
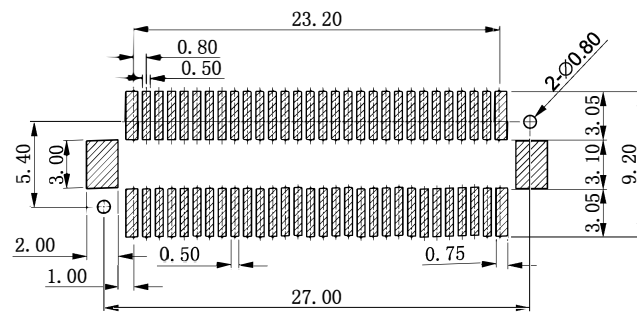
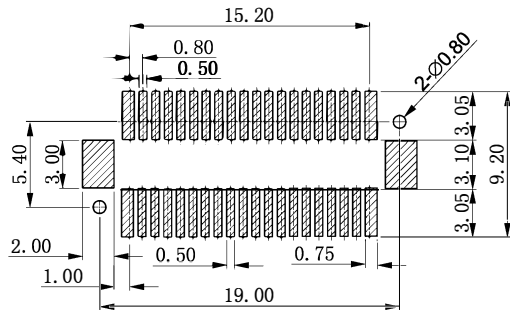
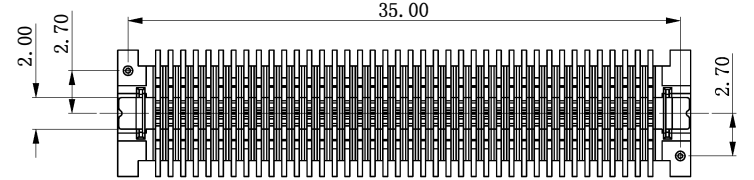
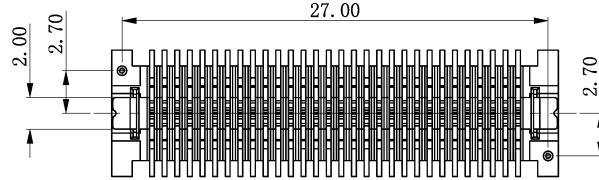
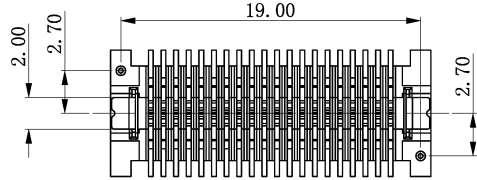
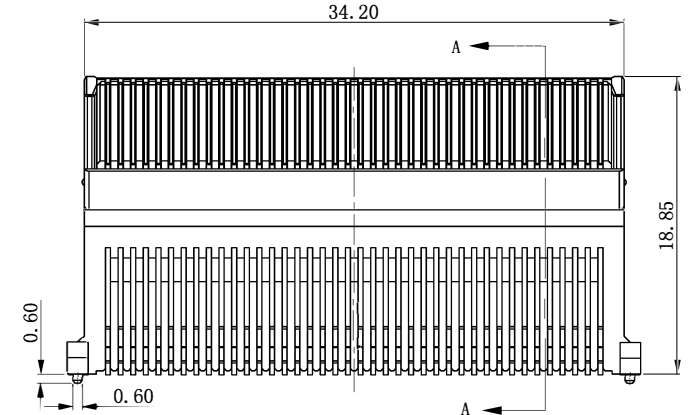
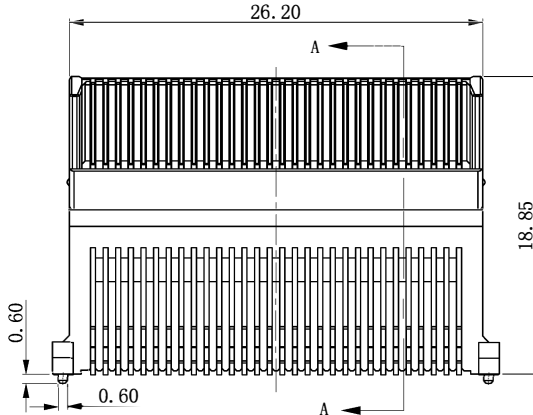
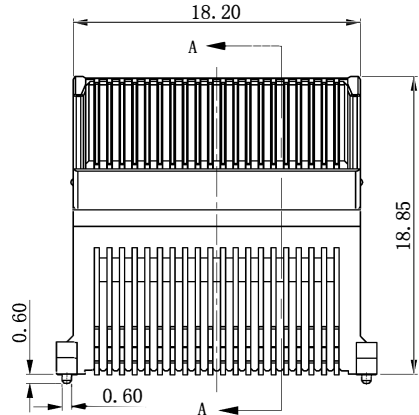
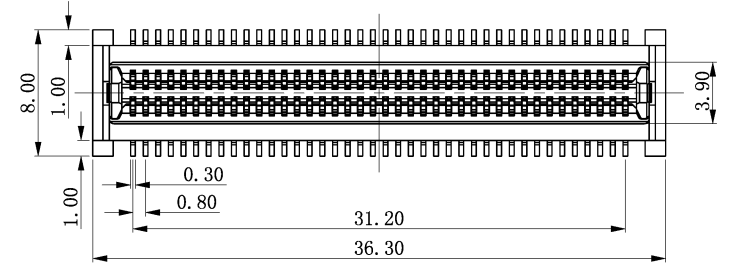
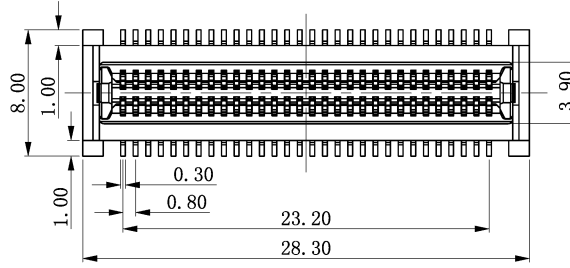
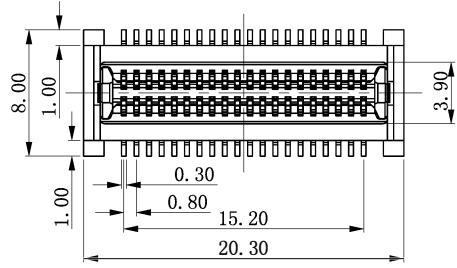
TITLE
CUSTOMER DRAWING

REV.
3
SHEET
3/6

40PIN: BB41-40BT-1B-XHR

60PIN: BB41-60BT-1B-XHR

80PIN: BB41-80BT-1B-XHR



RECOMMENDED PCB LAYOUT

TOLERANCE: ±0.05mm

RECOMMENDED PCB LAYOUT

TOLERANCE: ±0.05mm

RECOMMENDED PCB LAYOUT

TOLERANCE: ±0.05mm



TOLERANCE UNLESS OTHERWISE SPECIFIED

X.X	±0.30	X.°	±3°
X.XX	±0.20	X.X°	±2°
X.XXX		X.XX°	±1°

SCALE	1:1
UNIT	mm
SIZE	A4



ORIGINAL DRAWN:
Qinghua Fu
CHECK:
Guangyu Guo
APPROVE:
Ady Zhou

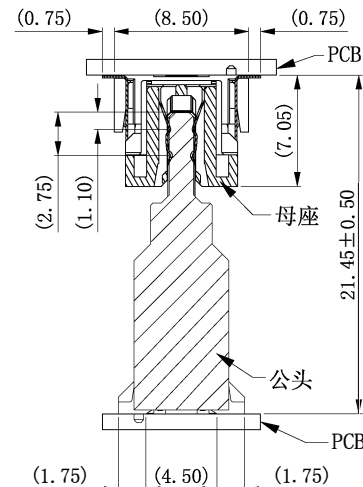
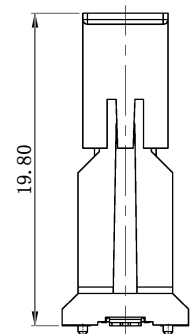
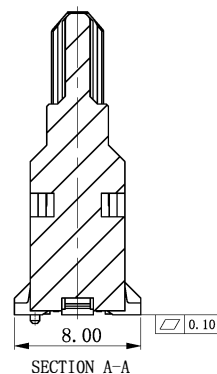
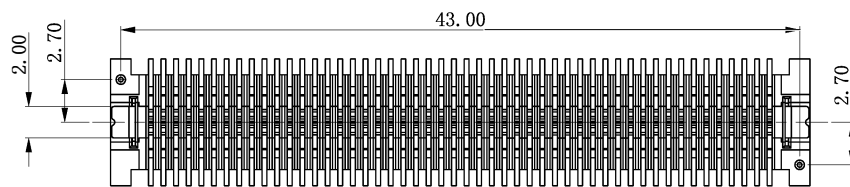
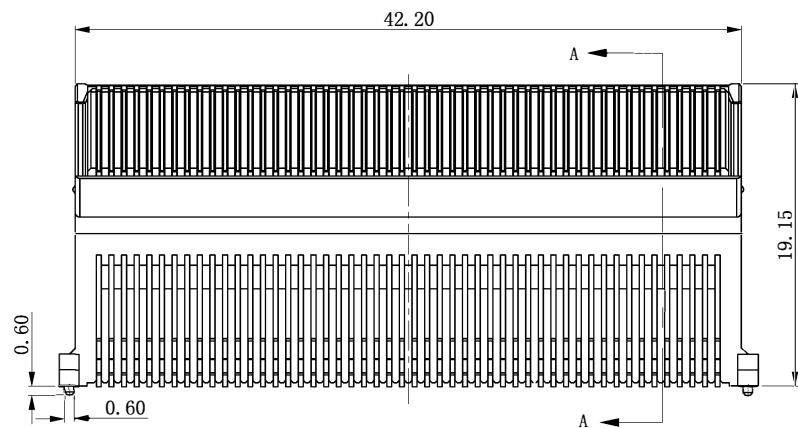
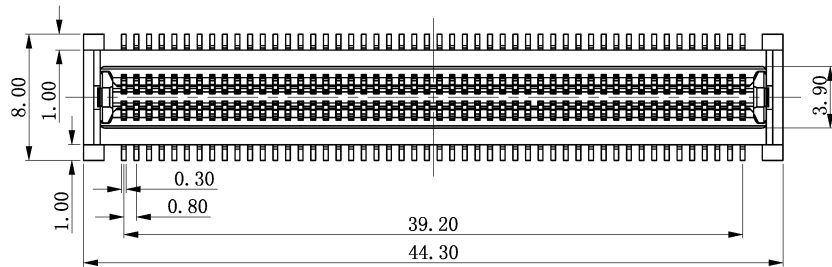
DATE
2020.10.12
DATE
2020.10.12
DATE
2020.10.12

DWG. NO.
600-0000-0227
PARTS NO. (INTENDED USE)
BB41-XXXT-1B-XHR

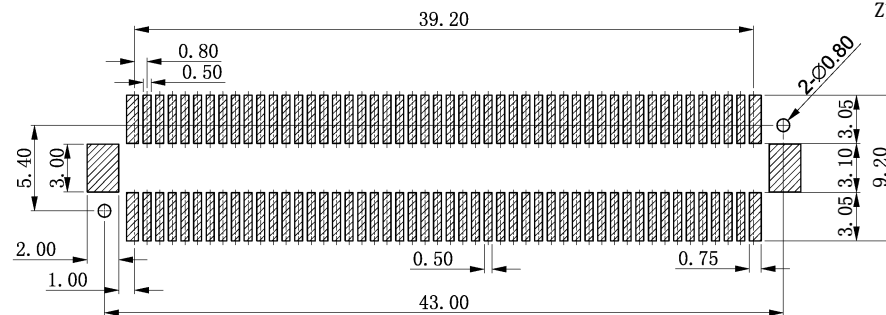
TITLE
CUSTOMER DRAWING

REV.
3
SHEET
4/6

100PIN: BB41-A0ET-1B-XHR



X方向浮动量: ±0.5
Y方向浮动量: ±0.5
Z方向浮动量: ±0.5



RECOMMENDED PCB LAYOUT
TOLERANCE: ±0.05mm



TOLERANCE UNLESS OTHERWISE SPECIFIED

X.X	±0.30	X.°	±3°
X.XX	±0.20	X.X°	±2°
X.XXX		X.XX°	±1°

SCALE 1:1
UNIT mm
SIZE A4



ORIGINAL DRAWN: Qinghua Fu
CHECK: Guangyu Guo
APPROVE: Ady Zhou

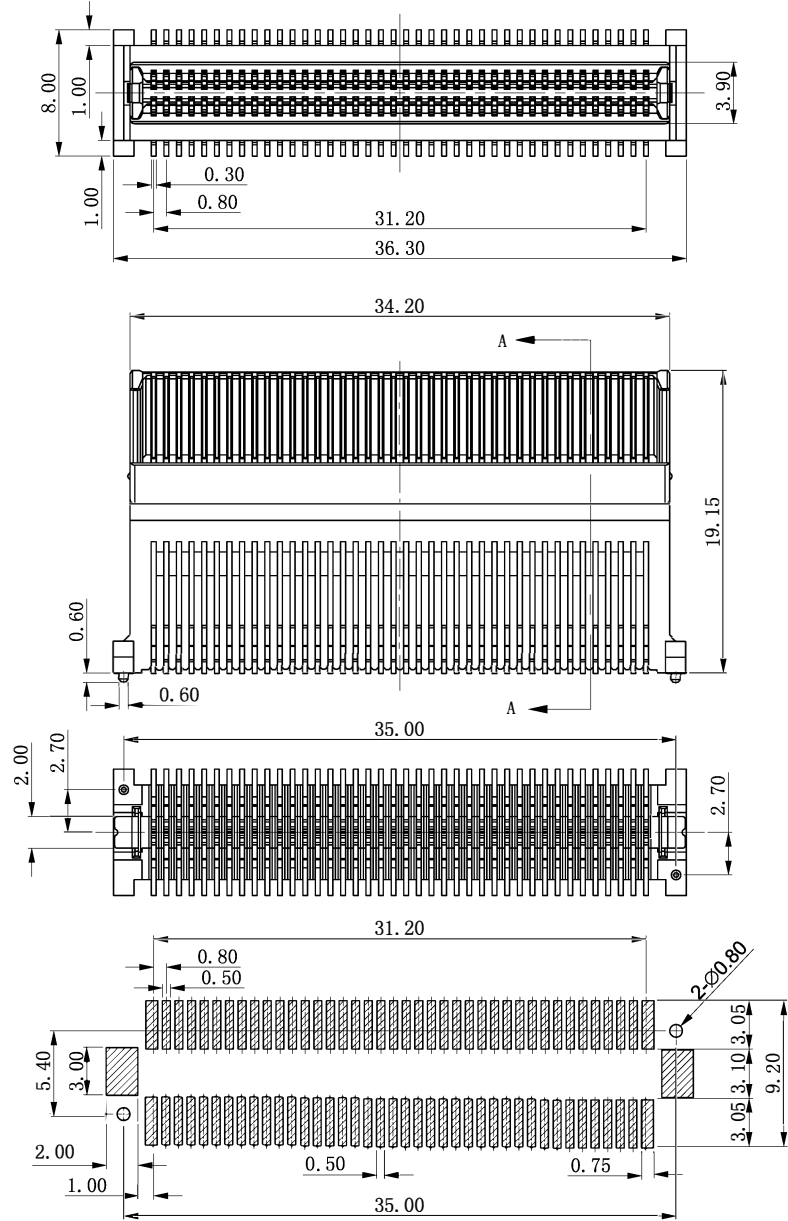
DATE 2020.10.12
DATE 2020.10.12
DATE 2020.10.12

DWG. NO. 600-0000-0227
PARTS NO. (INTENDED USE) BB41-XXXT-1B-XHR

TITLE CUSTOMER DRAWING

REV. 3
SHEET 5/6

80PIN: BB41-80DT-1B-XHR



RECOMMENDED PCB LAYOUT

TOLERANCE: $\pm 0.05\text{mm}$



TOLERANCE UNLESS OTHERWISE SPECIFIED

X. X	± 0.30	X. °	$\pm 3^\circ$
X. XX	± 0.20	X. X°	$\pm 2^\circ$
X. XXX		X. XX°	$\pm 1^\circ$

SCALE	1:1
UNIT	mm
SIZE	A4



ORIGINAL DRAWN:
Qinghua Fu
DATE
2020.10.12
CHECK:
Guangyu Guo
DATE
2020.10.12
APPROVE:
Ady Zhou
DATE
2020.10.12

DATE
2020.10.12
DATE
2020.10.12
DATE
2020.10.12

DWG. NO.
600-0000-0227
PARTS NO. (INTENDED USE)
BB41-XXXT-1B-XHR

TITLE
CUSTOMER DRAWING

REV.
3
SHEET
6/6