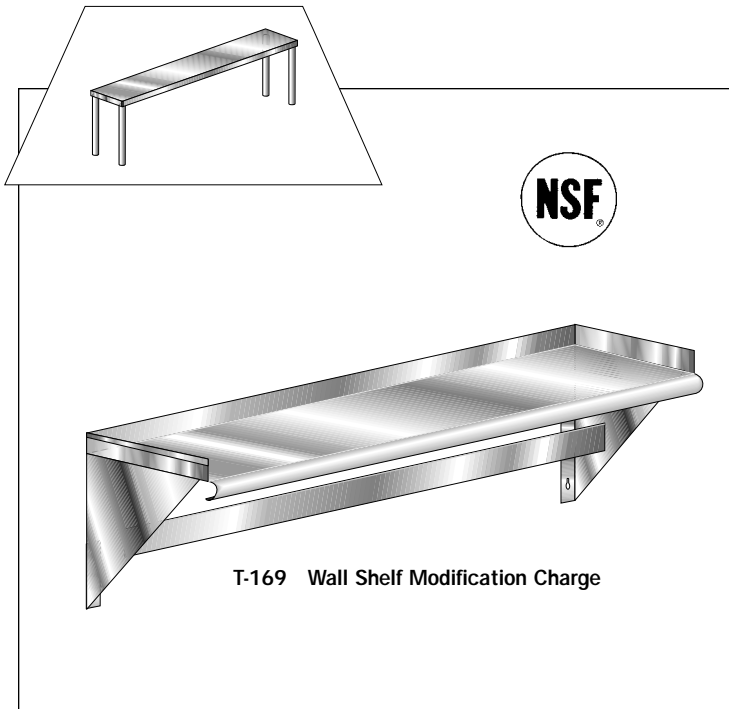




OVERSHELF

WSP SERIES Wall Mounted Shelf w/Pot Rack



Item# _____ Project _____

| Quantity | ECONOMY 16GA 430 Model # | DELUX 16GA 304 Model # | AEROSPEC 14GA 304 Model # |
|-----------------|--------------------------------|------------------------------|---------------------------------|
| 10" WIDE | | | |
| _____ | 4WSP-1036 | 3WSP-1036 | 2WSP-1036 |
| _____ | 4WSP-1048 | 3WSP-1048 | 2WSP-1048 |
| _____ | 4WSP-1060 | 3WSP-1060 | 2WSP-1060 |
| _____ | 4WSP-1072 | 3WSP-1072 | 2WSP-1072 |
| _____ | 4WSP-1084 | 3WSP-1084 | 2WSP-1084 |
| _____ | 4WSP-1096 | 3WSP-1096 | 2WSP-1096 |
| _____ | 4WSP-10108 | 3WSP-10108 | 2WSP-10108 |
| _____ | 4WSP-10120 | 3WSP-10120 | 2WSP-10120 |
| _____ | 4WSP-10132 | 3WSP-10132 | 2WSP-10132 |
| _____ | 4WSP-10144 | 3WSP-10144 | 2WSP-10144 |

| | | | |
|-----------------|------------|------------|------------|
| 12" WIDE | | | |
| _____ | 4WSP-1236 | 3WSP-1236 | 2WSP-1236 |
| _____ | 4WSP-1248 | 3WSP-1248 | 2WSP-1248 |
| _____ | 4WSP-1260 | 3WSP-1260 | 2WSP-1260 |
| _____ | 4WSP-1272 | 3WSP-1272 | 2WSP-1272 |
| _____ | 4WSP-1284 | 3WSP-1284 | 2WSP-1284 |
| _____ | 4WSP-1296 | 3WSP-1296 | 2WSP-1296 |
| _____ | 4WSP-12108 | 3WSP-12108 | 2WSP-12108 |
| _____ | 4WSP-12120 | 3WSP-12120 | 2WSP-12120 |
| _____ | 4WSP-12132 | 3WSP-12132 | 2WSP-12132 |
| _____ | 4WSP-12144 | 3WSP-12144 | 2WSP-12144 |

| | | | |
|-----------------|------------|------------|------------|
| 15" WIDE | | | |
| _____ | 4WSP-1536 | 3WSP-1536 | 2WSP-1536 |
| _____ | 4WSP-1548 | 3WSP-1548 | 2WSP-1548 |
| _____ | 4WSP-1560 | 3WSP-1560 | 2WSP-1560 |
| _____ | 4WSP-1572 | 3WSP-1572 | 2WSP-1572 |
| _____ | 4WSP-1584 | 3WSP-1584 | 2WSP-1584 |
| _____ | 4WSP-1596 | 3WSP-1596 | 2WSP-1596 |
| _____ | 4WSP-15108 | 3WSP-15108 | 2WSP-15108 |
| _____ | 4WSP-15120 | 3WSP-15120 | 2WSP-15120 |
| _____ | 4WSP-15132 | 3WSP-15132 | 2WSP-15132 |
| _____ | 4WSP-15144 | 3WSP-15144 | 2WSP-15144 |

| | | | |
|-----------------|------------|------------|------------|
| 18" WIDE | | | |
| _____ | 4WSP-1836 | 3WSP-1836 | 2WSP-1836 |
| _____ | 4WSP-1848 | 3WSP-1848 | 2WSP-1848 |
| _____ | 4WSP-1860 | 3WSP-1860 | 2WSP-1860 |
| _____ | 4WSP-1872 | 3WSP-1872 | 2WSP-1872 |
| _____ | 4WSP-1884 | 3WSP-1884 | 2WSP-1884 |
| _____ | 4WSP-1896 | 3WSP-1896 | 2WSP-1896 |
| _____ | 4WSP-18108 | 3WSP-18108 | 2WSP-18108 |
| _____ | 4WSP-18120 | 3WSP-18120 | 2WSP-18120 |
| _____ | 4WSP-18132 | 3WSP-18132 | 2WSP-18132 |
| _____ | 4WSP-18144 | 3WSP-18144 | 2WSP-18144 |

MATERIALS

- 4WSP - 16 gauge 430 stainless steel
- 3WSP - 16 gauge 304 stainless steel
- 2WSP - 14 gauge 304 stainless steel
- Brackets - 18 gauge 430 stainless steel.
- Flat bar - 2" x 3/16" 304 stainless steel
- Plated pot hooks (one hook per linear foot).

DESIGN FEATURES

- Traditional design meets consultants specs.
- Shelf has 1 1/2" lip on 3 sides with a 1/4" radius front roll.
- Stainless steel brackets easily mounted to welded studs.
- Easily assembled.

EXCLUSIVE AERO SAFETY EDGE

- Shelves hemmed to eliminate cuts from rough edges.

CONSTRUCTION

- Top is polished to a #4 mill finish.
- All wallshelves shipped set up.
- Wallshelves over 72" in length receive third stainless steel bracket.

CUSTOM SIZES AVAILABLE

AT AERO
WE PROVIDE
CUSTOM EQUIPMENT
AT PRODUCTION PRICES!

BUILT TO LAST A LIFETIME

email - sales@aeromfg.com

AERO MANUFACTURING COMPANY • 310 ALLWOOD ROAD, CLIFTON, NEW JERSEY 07012 • VOICE 973.473.5300 FAX 973.473.3794

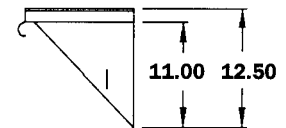
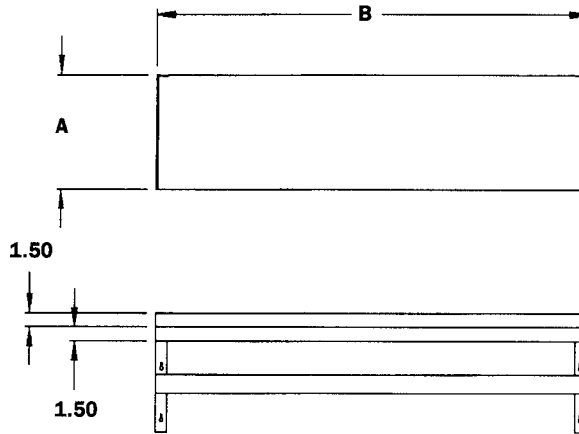


DIMENSIONAL SPECIFICATIONS

W SERIES Wall Mounted/BW SERIES Budget Wall Mounted



T-169 Wall Shelf Modification Charge



| A Width | B Length | ECONOMY 16GA 430 Model # | DELUX 16GA 304 Model # | AEROSPEC 14GA 304 Model # | Ship Weight | Cubic Feet |
|-----------------|-------------|--------------------------------|------------------------------|---------------------------------|----------------|---------------|
| 10" WIDE | | | | | | |
| 10 | 36 | 4WSP-1036 | 3WSP-1036 | 2WSP-1036 | 20 | 3 |
| 10 | 48 | 4WSP-1048 | 3WSP-1048 | 2WSP-1048 | 30 | 3 |
| 10 | 60 | 4WSP-1060 | 3WSP-1060 | 2WSP-1060 | 40 | 4 |
| 10 | 72 | 4WSP-1072 | 3WSP-1072 | 2WSP-1072 | 50 | 5 |
| 10 | 84 | 4WSP-1084 | 3WSP-1084 | 2WSP-1084 | 60 | 6 |
| 10 | 96 | 4WSP-1096 | 3WSP-1096 | 2WSP-1096 | 70 | 7 |
| 10 | 108 | 4WSP-10108 | 3WSP-10108 | 2WSP-10108 | 80 | 8 |
| 10 | 120 | 4WSP-10120 | 3WSP-10120 | 2WSP-10120 | 90 | 8 |
| 10 | 132 | 4WSP-10132 | 3WSP-10132 | 2WSP-10132 | 100 | 9 |
| 10 | 144 | 4WSP-10144 | 3WSP-10144 | 2WSP-10144 | 110 | 10 |
| 12" WIDE | | | | | | |
| 12 | 36 | 4WSP-1236 | 3WSP-1236 | 2WSP-1236 | 20 | 3 |
| 12 | 48 | 4WSP-1248 | 3WSP-1248 | 2WSP-1248 | 30 | 4 |
| 12 | 60 | 4WSP-1260 | 3WSP-1260 | 2WSP-1260 | 40 | 5 |
| 12 | 72 | 4WSP-1272 | 3WSP-1272 | 2WSP-1272 | 50 | 6 |
| 12 | 84 | 4WSP-1284 | 3WSP-1284 | 2WSP-1284 | 60 | 7 |
| 12 | 96 | 4WSP-1296 | 3WSP-1296 | 2WSP-1296 | 70 | 8 |
| 12 | 108 | 4WSP-12108 | 3WSP-12108 | 2WSP-12108 | 80 | 9 |
| 12 | 120 | 4WSP-12120 | 3WSP-12120 | 2WSP-12120 | 90 | 10 |
| 12 | 132 | 4WSP-12132 | 3WSP-12132 | 2WSP-12132 | 100 | 11 |
| 12 | 144 | 4WSP-12144 | 3WSP-12144 | 2WSP-12144 | 110 | 12 |
| 15" WIDE | | | | | | |
| 15 | 36 | 4WSP-1536 | 3WSP-1536 | 2WSP-1536 | 20 | 4 |
| 15 | 48 | 4WSP-1548 | 3WSP-1548 | 2WSP-1548 | 30 | 5 |
| 15 | 60 | 4WSP-1560 | 3WSP-1560 | 2WSP-1560 | 40 | 6 |
| 15 | 72 | 4WSP-1572 | 3WSP-1572 | 2WSP-1572 | 50 | 8 |
| 15 | 84 | 4WSP-1584 | 3WSP-1584 | 2WSP-1584 | 60 | 9 |
| 15 | 96 | 4WSP-1596 | 3WSP-1596 | 2WSP-1596 | 70 | 10 |
| 15 | 108 | 4WSP-15108 | 3WSP-15108 | 2WSP-15108 | 80 | 11 |
| 15 | 120 | 4WSP-15120 | 3WSP-15120 | 2WSP-15120 | 90 | 13 |
| 15 | 132 | 4WSP-15132 | 3WSP-15132 | 2WSP-15132 | 100 | 14 |
| 15 | 144 | 4WSP-15144 | 3WSP-15144 | 2WSP-15144 | 110 | 15 |
| 18" WIDE | | | | | | |
| 18 | 36 | 4WSP-1836 | 3WSP-1836 | 2WSP-1836 | 20 | 5 |
| 18 | 48 | 4WSP-1848 | 3WSP-1848 | 2WSP-1848 | 30 | 6 |
| 18 | 60 | 4WSP-1860 | 3WSP-1860 | 2WSP-1860 | 40 | 8 |
| 18 | 72 | 4WSP-1872 | 3WSP-1872 | 2WSP-1872 | 50 | 9 |
| 18 | 84 | 4WSP-1884 | 3WSP-1884 | 2WSP-1884 | 60 | 11 |
| 18 | 96 | 4WSP-1896 | 3WSP-1896 | 2WSP-1896 | 70 | 12 |
| 18 | 108 | 4WSP-18108 | 3WSP-18108 | 2WSP-18108 | 80 | 14 |
| 18 | 120 | 4WSP-18120 | 3WSP-18120 | 2WSP-18120 | 90 | 15 |
| 18 | 132 | 4WSP-18132 | 3WSP-18132 | 2WSP-18132 | 100 | 17 |
| 18 | 144 | 4WSP-18144 | 3WSP-18144 | 2WSP-18144 | 110 | 18 |

All dimensions are typical (tol. ±1/8"). • For Accessories and Options see pages TS-5A, TS-5B.

email - sales@aeromfg.com

AERO MANUFACTURING COMPANY • 310 ALLWOOD ROAD, CLIFTON, NEW JERSEY 07012 • VOICE 973473.5300 FAX 973.473.3794